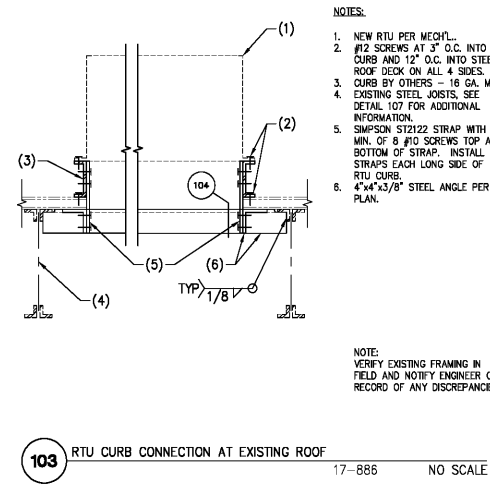
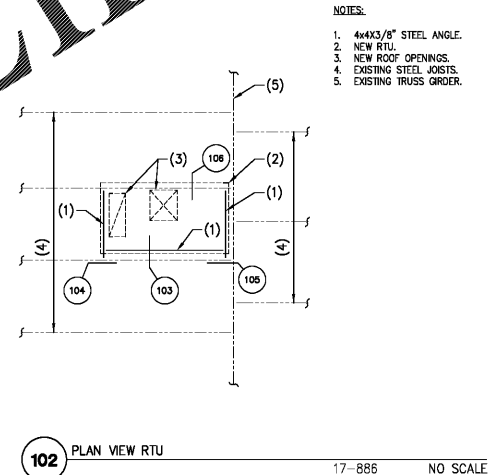
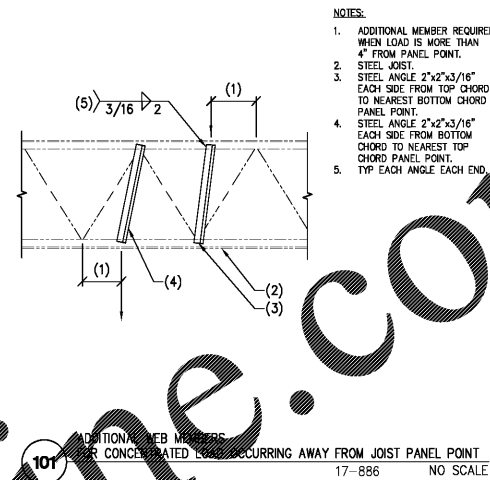
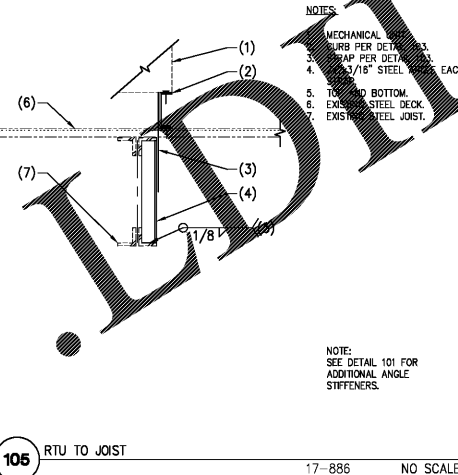
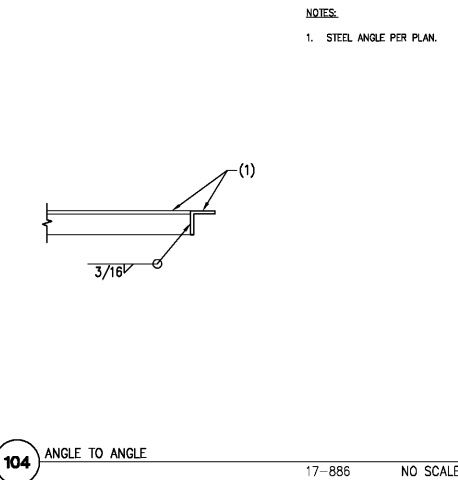
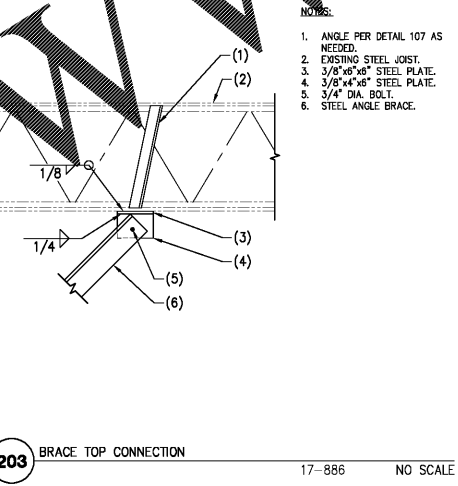
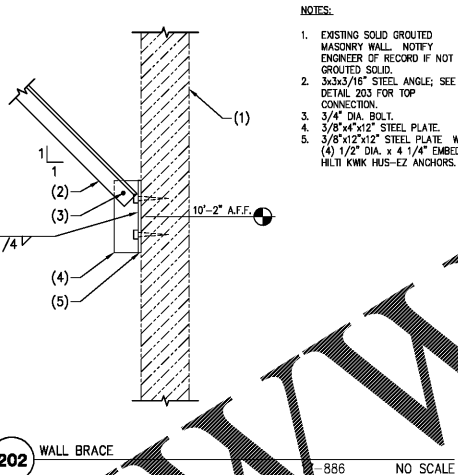
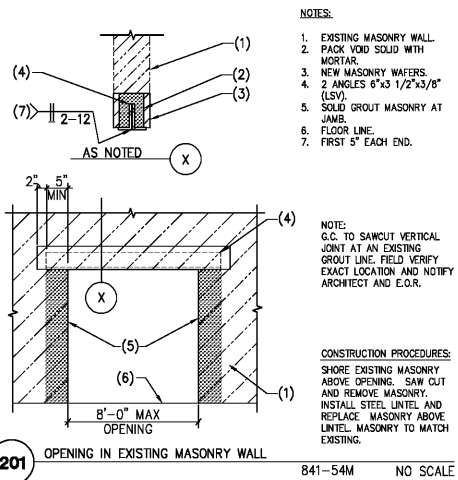


Order Plans @



ROBERT F. VANNEY ARCHITECT

3501 ROBERT STREET STE. 201
SAINT PAUL, MINNESOTA 55101
865.222.4642 FAX 865.222.3034

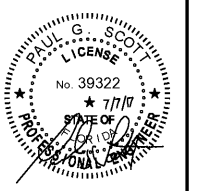
consultant
CARUSO TURLEY SCOTT INC.
structural engineers
1215 West Rio Salado Parkway, Suite 200
Tempe, Arizona 85281
(480) 774-1700 (480) 774-1701 FAX

West Marine
500 Westridge Drive
Watsonville, California 95076
p: 831.728.2700 f: 831.761.4220

ISLAND WALK @
PALM COAST
250 PALM COAST PKWY NE
PALM COAST, FL 32137
STORE # TBD

commission number 44-1047

WM 75% 07/07/2017
LL Final
Permit 07/24/2017
Bidding 10/02/2017



drawing title
STRUCTURAL DETAILS

sheet number
S-101

THESE DRAWINGS/CALCULATIONS ARE CONSIDERED PRELIMINARY - NOT FOR CONSTRUCTION OR RECORDING UNLESS THE STRUCTURAL ENGINEER OF RECORD'S SEAL IS AFFIXED WITH WRITTEN SIGNATURE.
PROJECT NUMBER 17-886 PROJECT MANAGER RAD
PROJECT ENGINEER CMG PROJECT DRAFTER M/JN
CARUSO · TURLEY · SCOTT · INC
consulting structural engineers
1215 West Rio Salado Parkway, Suite 200
Tempe, Arizona 85281 (480) 774-1700 (774-1701 FAX)
www.ctsaz.com