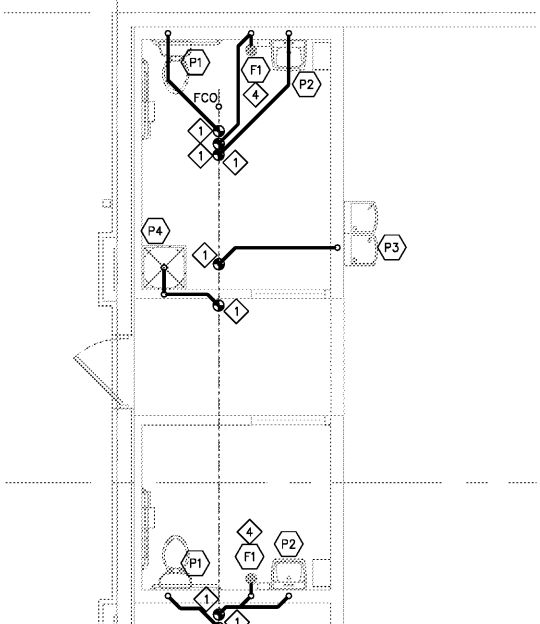
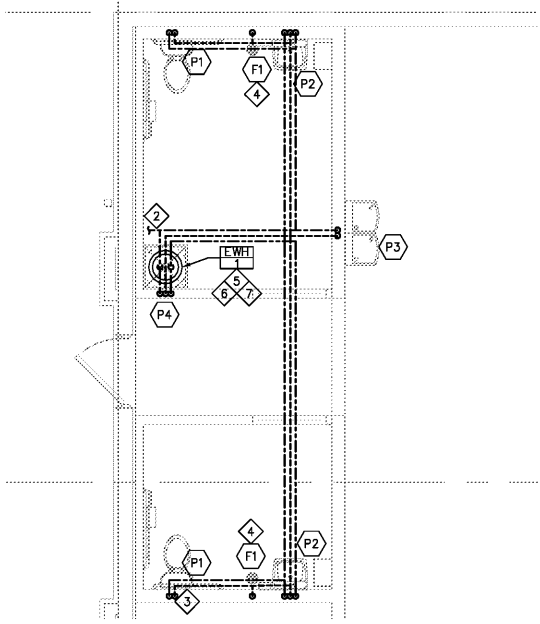


REFER TO M001 FOR  
SYMBOL LEGEND.

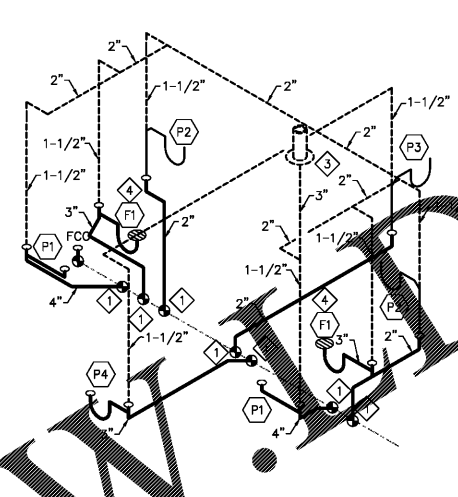
REFER TO M901 FOR  
SPECIFICATIONS.



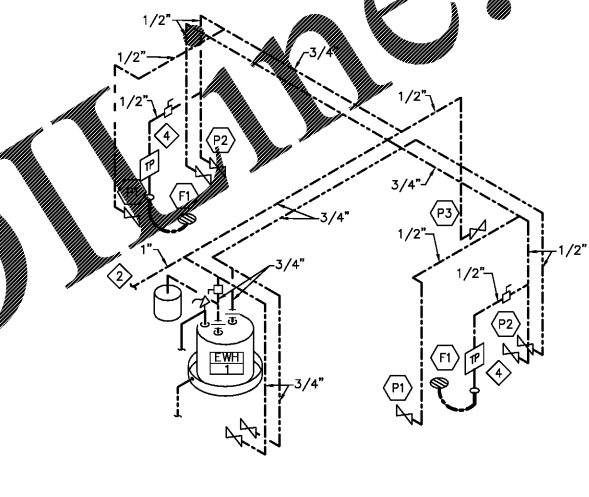
**1 UNDERFLOOR PLUMBING PLAN**  
1/4" = 1'-0"



**2 ABOVE FLOOR PLUMBING PLAN**  
1/4" = 1'-0"



**3 WASTE AND VENT RISER**  
N.T.S.



**4 WATER RISER**  
N.T.S.

**GENERAL NOTES**

A. SUBCONTRACTOR TO VERIFY POINT OF CONNECTION AND SCOPE OF WORK TO INSTALL ALL PLUMBING PIPING & EQUIPMENT TO SPACE PRIOR TO BID. IF INCONSISTENCIES OCCUR BETWEEN PLANS AND LANDLORD CRITERIA, OWNER'S CONSTRUCTION MANAGER SHALL BE NOTIFIED PRIOR TO BID SUBMITTAL.

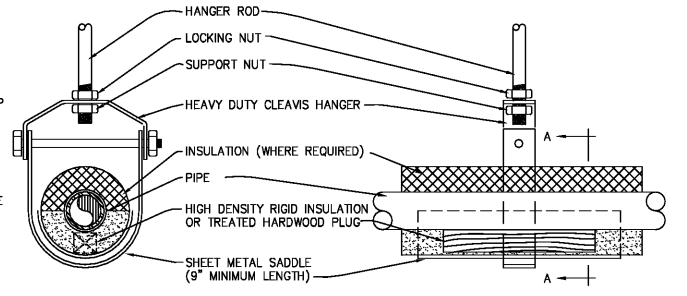
**KEY NOTES**

1. EXTEND AND CONNECT NEW 4" SANITARY SEWER TO EXISTING 4" (MIN) SANITARY SEWER PIPING. FIELD VERIFY EXACT LOCATION, SIZE, FLOW DIRECTION, AND INVERT ELEVATION OF CONNECTION POINT PRIOR TO ROUGH-IN NEW SANITARY SEWER. PROVIDE FCO AT POINT OF CONNECTION TO EXISTING.
2. EXTEND AND CONNECT NEW 1-1/2" CW PIPING TO EXISTING 1-1/2" (MIN) CW PIPING. FIELD VERIFY EXACT LOCATION OF CW PIPING PRIOR TO ROUGH-IN. PROVIDE SHUTOFF VALVE AT POINT OF CONNECTION TO EXISTING.
3. EXTEND NEW 2" VENT UP TO NEW 4" VTR. LOCATE TOILET VENT STACK SO THAT ALL ROOF PENETRATIONS OCCUR AT A MINIMUM OF TEN FEET (10'-0") AWAY FROM ANY MECHANICAL EQUIPMENT INTAKES OR OUTSIDE AIR INTAKE HOODS. USE LANDLORD APPROVED ROOFING CONTRACTOR FOR ALL ROOF WORK.
4. PROVIDE JOSAM 88250 OR EQUAL TRAP PRIMER WITH ACCESSIBLE SHUT-OFF VALVE.
5. PIPE DRIP PAN FULL SIZE TO CODE APPROVED AIR GAP OVER MOP SINK.
6. PIPE 3/4" FROM ASME RATED T&P VALVE TO CODE APPROVED AIR GAP OVER MOP SINK.
7. PROVIDE THERMAL EXPANSION TANK EQUAL TO STATE MODEL ETC-2X. ADJUST EXPANSION TANK AIR CHARGE TO MATCH INCOMING WATER PRESSURE (FIELD VERIFY).

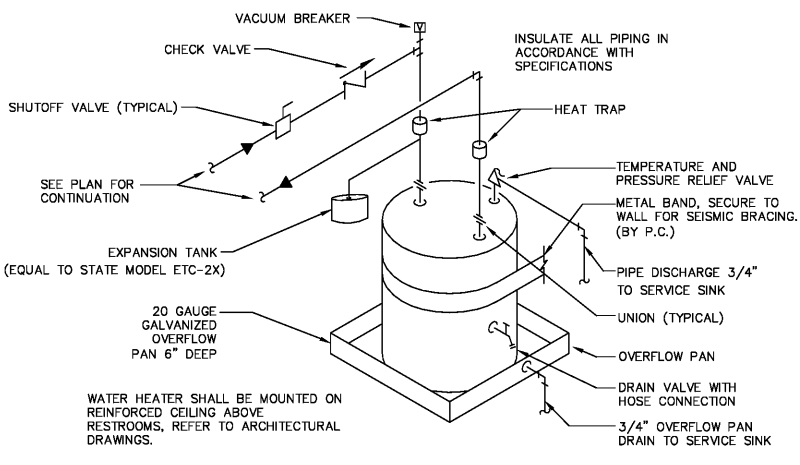
UNIT NO.	MANUFACTURER	MODEL	KW	CAPACITY (GAL.)	STAGES	VOLTAGE	OUTPUT (GPH @ 90° RISE)	REMARKS
EW-1	A.O. SMITH	DEL-10	2.5	10	1	120/1/60	7	REFER TO DETAILS 5/P101. WATER HEATERS WEIGHING GREATER THAN 20 POUNDS AND LESS THAN 56 POUNDS MUST BE ATTACHED TO REINFORCED CEILING AND STRUCTURE.

FIXTURE NO.	FIXTURE TYPE	MANUFACTURER	TYPE & MODEL NO.	TRIM/FACET NO.	SUPPORT	PIPE SIZES	REMARKS
P1	WATER CLOSET	KOHLER	HIGHCLIFF (WHITE) K-435	LOAN	FLOOR MOUNT	4" 2" 1-1/4"	1.6 GPF, ELONGATED, SIPHON FLUSH VALVE, ADA COMPLIANT 16-1/2" RIM HEIGHT. PROVIDE WHITE SEAT. KOHLER #K-4670-C.
P2	LAVATORY	AMERICAN STANDARD	LUCERNE (WHITE) Q355.012	AMERICAN STANDARD 100.174	WALL HUNG	1-1/2" 1-1/2" 1-1/2" 1/2" 1/2"	PROVIDE INSULATED CAST BRASS P-TRAP, HANDICAP INSULATION KIT, (2) CHICAGO FAUCET 1016 ANGLE VALVES, WALL CARRIER, 0.5 GPM FLOW LIMIT
P3	HI-LO WATER COOLER	ELKAY	BARRIER-FREE EZSTLBC	-	WALL MOUNT	1-1/2" 1-1/2" 1-1/2" 1/2"	UNIT TO BE INSTALLED WITH ACCESSORY APRON LKAPREZL FOR ADA COMPLIANCE IF MTD. ON EXPOSED WALL.
P4	MOP SINK	WILLIAMS	HL-1800	WILLIAMS T-10-VB	FLOOR MOUNT	3" 3" 1-1/2" 3/4" 3/4"	PROVIDE HOSE, HOSE BRACKET & MOP HANGER FAUCET TO BE CHROME PLATED.
F1	FLOOR DRAIN	WADE	100STD	-	-	3" 3" 1-1/2"	6" DIAMETER CAST IRON FLOOR DRAIN.

ABBREVIATIONS		CONTRACTOR TYPE				MOTOR CONTROL TYPE				CONTROL TYPE			
DC	DISCONNECT	EC	ELECTRICAL CONTRACTOR	CS	COMBINATION STARTER	TC	TIMECLOCK	DC	DISCONNECT	MC	MOTOR CONTROL CENTER	MC	MOTOR CONTROL CENTER
MC	MOTOR CONTROL (POWER)	FC	FIRE PROTECTION CONTRACTOR	MCC	MOTOR CONTROL CENTER	CPT	CONTROL POWER TRANSFORMER	GC	GENERAL CONTRACTOR	MG	MAGNETIC STARTER OR CONTACT	BAS	BUILDING AUTOMATION SYSTEM
CON	CONTRACTOR	GC	GENERAL CONTRACTOR	MS	MANUAL STARTER	LS	LOW VOLTAGE CONTROLS	HC	HVAC CONTRACTOR	MS	MANUAL STARTER	LV	LOW VOLTAGE CONTROLS
TS	TOGGLE SWITCH	HC	HVAC CONTRACTOR	MSR	MANUAL STARTER W/ RELAY	LV	LINE VOLTAGE CONTROLS	MFR	MANUFACTURER	VFD	VARIABLE FREQUENCY DRIVE	LINE	LINE VOLTAGE CONTROLS
CB	CIRCUIT BREAKER AT SOURCE PANELBOARD	MFR	MANUFACTURER	OR	OWNER OR OTHERS	RLINE	REVERSE ACTING LINE VOLTAGE STAT	PC	PLUMBING CONTRACTOR	MAN	MANUAL	FA	FIRE ALARM
EX	EXISTING	PC	PLUMBING CONTRACTOR	INT	INTEGRAL TO EQUIPMENT	INT	INTEGRAL TO EQUIPMENT	OR	OWNER OR OTHERS	CP	CIRCUIT BREAKER AND PLUG		



**6 PIPE HANGER AND SUPPORT DETAIL**  
NO SCALE (X05)



**5 WATER HEATER DETAIL**  
NO SCALE

**ROBERT F. VANNEY ARCHITECT**

301 ROBERT STREET STE. 201  
SAINT PAUL, MINNESOTA 55101  
651.222.4842 FAX 651.222.3038

consultant  
**HALLBERG ENGINEERING**  
Mechanical/Electrical Consulting Engineers  
1750 Commerce Court  
White Bear Lake, MN 55110  
(651) 748-1100 • Fax (651) 748-9370

**West Marine**  
500 Westridge Drive  
Watsonville, California 95076  
p: 831.728.2700 f: 831.761.4220

ISLAND WALK @  
PALM COAST  
250 PALM COAST PKWY NE  
PALM COAST, FL 32137  
STORE #TBD

commission number R17-2777.003

WM 75% 07/07/2017  
LL Final  
Permit 07/24/2017  
Bidding 10/02/2017

drawing title  
**PLUMBING ENLARGED PLAN, DETAILS, AND SCHEDULES**

sheet number  
**P101**