

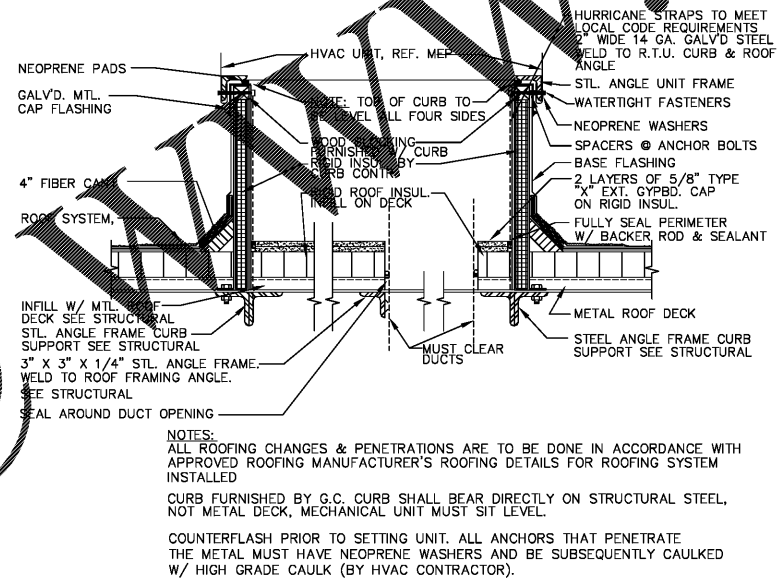
HVAC ELECTRICAL COORDINATION SCHEDULE

ABBREVIATIONS		CONTRACTOR TYPE		MOTOR CONTROL TYPE		CONTROL TYPE	
DC	LOCAL DISCONNECT	EC	ELECTRICAL CONTRACTOR	CS	COMBINATION STARTER	TC	TIMELOCK
MC	MOTOR CONTROL(POWER)	FC	FIRE PROTECTION CONTRACTOR	MCC	MOTOR CONTROL CENTER	OCC	OCCUPANCY SENSOR
SD	SMOKE DETECTOR	GC	GENERAL CONTRACTOR	MG	MAGNETIC STARTER OR CONTACT	BAS	BUILDING AUTOMATION SYSTEM
CN	CONTROLS	HC	HVAC CONTRACTOR	MS	MANUAL STARTER	LOW	LOW VOLTAGE CONTROLS
HP	HORSEPOWER	MFR	MANUFACTURER	MSR	MANUAL STARTER W/ RELAY	LINE	LINE VOLTAGE CONTROLS
BHP	BRAKE HORSEPOWER	PC	PLUMBING CONTRACTOR	VFD	VARIABLE FREQUENCY DRIVE	RLINE	REVERSE ACTING LINE VOLTAGE STAT
EX	EXISTING	OR	OWNER OR OTHERS			MAN	MANUAL
FLA	OPERATING FULL LOAD AMPS					FA	FIRE ALARM
MCA	MINIMUM CIRCUIT AMPACITY					SCP	SMOKE CONTROL PANEL
MOCP	MAXIMUM OVER CURRENT PROTECTION					INT	INTEGRAL TO EQUIPMENT
CP	CORD AND PLUG						

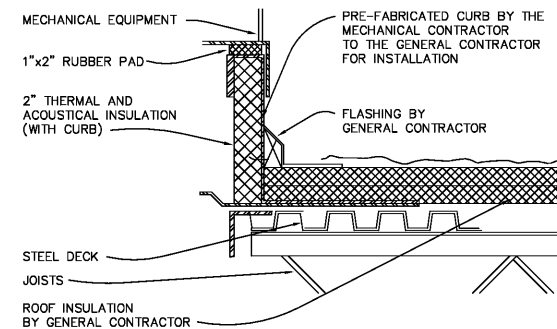
TAG	DESCRIPTION	LOCATION	STATUS	VOLTS	PHASE	EMERG	BHP	HP	HTG KW	WATTS	FLA	MCA	MOCP	FED FROM	DC TYPE	DC FURN	DC INST	DC WIRE	MC TYPE	MC FURN	MC INST	MC WIRE	CN TYPE	CN FURN	CN INST	CN WIRE	SD TYPE
EF-1	EXHAUST FAN	RESTROOM	NEW	115	1	-	-	-	-	53	-	-	-	-	-	EC	EC	EC	MFR	EC	EC	EC	MAN	EC	EC	EC	-
EF-2	EXHAUST FAN	RESTROOM	NEW	115	1	-	-	-	-	53	-	-	-	-	-	EC	EC	EC	MFR	EC	EC	EC	MAN	EC	EC	EC	-
RTU-1	ROOFTOP UNIT	SALES	NEW	208	3	-	-	-	-	-	-	27	40	-	-	EC	EC	EC	MG	MFR	MFR	MFR	LOW	HC	HC	HC	-
RTU-2	ROOFTOP UNIT	SALES	NEW	208	3	-	-	-	-	-	-	31	45	-	-	EC	EC	EC	MG	MFR	MFR	MFR	LOW	HC	HC	HC	-
RTU-3	ROOFTOP UNIT	SALES	NEW	208	3	-	-	-	-	-	-	27	40	-	-	EC	EC	EC	MG	MFR	MFR	MFR	LOW	HC	HC	HC	-
RTU-4	ROOFTOP UNIT	SALES	NEW	208	3	-	-	-	-	-	-	31	45	-	-	EC	EC	EC	MG	MFR	MFR	MFR	LOW	HC	HC	HC	-
RTU-5	ROOFTOP UNIT	SALES	NEW	208	1	-	-	-	-	-	-	21	30	-	-	EC	EC	EC	MG	MFR	MFR	MFR	LOW	HC	HC	HC	-

ROOFTOP HEAT PUMP

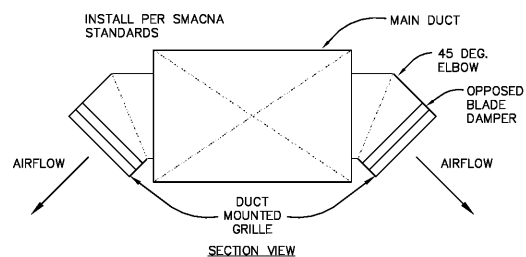
UNIT TAG	RTU-1	RTU-2	RTU-3	RTU-4	RTU-5
AREA SERVED	SALES	SALES	SALES	SALES	OFFICE/STOCK
MANUFACTURER	LENNOX	LENNOX	LENNOX	LENNOX	LENNOX
MODEL NUMBER	KHB122H4E	KDB060H4E	KHB122H4E	KDB060H4E	KDB024H4E
TYPE	PACKAGE	PACKAGE	PACKAGE	PACKAGE	PACKAGE
NOMINAL CAPACITY (TON)	4	5.0	4	5.0	2
FEER/SEER	12.8/16.0	12.5/16.0	12.8/16.0	12.5/16.0	13.0/16.5
MIN OUTSIDE AIR CFM	270	335	270	335	220
SUPPLY FAN					
CFM	1780	1730	1780	1730	985
ESP	0.75"	0.75"	0.75"	0.75"	0.75"
RPM					
BHP	0.75	1.0	0.75	1.0	0.33
TYPE	BELT	BELT	BELT	BELT	BELT
CLASS (I, II, III, IV)	I	I	I	I	I
FILTERS					
TYPE	THROWAWAY	THROWAWAY	THROWAWAY	THROWAWAY	THROWAWAY
DEPTH	2"	2"	2"	2"	2"
EFFICIENCY %	35%	35%	35%	35%	35%
MEAN APD	0.14"	0.14"	0.14"	0.14"	0.14"
DX HEATING COIL					
CFM	1780	1730	1780	1730	985
EAT/LAT	60.0/97.0	60.0/92.4	60.0/97.0	60.0/92.4	60.0/92.3
MBH	65.0	70.0	65.0	70.0	65.0
SUPP. ELEC HEAT KW	-	-	-	-	-
CONTROL STEPS	1	2	1	1	1
DX COOLING COIL					
CFM	1780	1730	1780	1730	985
EAT DB/WB	76.7/65.9	76.7/65.9	76.7/65.9	76.7/65.9	76.7/65.9
LAT DB/WB	58.0/57.0	55.2/57.0	60.0/57.0	58.7/53.7	59.4/58.2
COND. EAT	100.0	100.0	100.0	100.0	100.0
SENSIBLE/TOTAL MBH	35.5/45.9	37.6/50.0	35.5/45.9	37.6/50.3	18.1/23.5
REFRIGERANT TYPE	R-410A	R-410A	R-410A	R-410A	R-410A
COMPRESSOR					
TYPE	SCROLL	SCROLL	SCROLL	SCROLL	SCROLL
QUANTITY	1	1	1	1	1
UNLOADING %	0-50-100%	0-50-100%	0-100%	0-50-100%	0-50-100%
ECONOMIZER	0-100%	0-100%	0-100%	0-100%	0-100%
ELECTRICAL					
MCA	31.0	27.0	31.0	21.0	
V-PH-CY	208/3/60	208/3/60	208/3/60	208/1/60	
STARTER	DIV. 15	DIV. 15	DIV. 15	DIV. 15	
DISCONNECT	DIV. 16	DIV. 16	DIV. 16	DIV. 16	
OPERATING WEIGHT (LBS)	1007	949	1007	834	
REMARKS	PROVIDE UNIT WITH DIFF. ENTHALPY ECONOMIZER, BAROMETRIC RELIEF, CONDENSER COIL HAIL GUARDS 14" FACTORY CURB, RTD11-135S STEP DOWN DIFFUSER & FACTORY INSTALLED RAWL VALVE.	PROVIDE UNIT WITH DIFF. ENTHALPY ECONOMIZER, BAROMETRIC RELIEF, CONDENSER COIL HAIL GUARDS 14" FACTORY CURB, RTD11-135S STEP DOWN DIFFUSER & FACTORY INSTALLED RAWL VALVE.	PROVIDE UNIT WITH DIFF. ENTHALPY ECONOMIZER, BAROMETRIC RELIEF, CONDENSER COIL HAIL GUARDS 14" FACTORY CURB, RTD11-135S STEP DOWN DIFFUSER & FACTORY INSTALLED RAWL VALVE.	PROVIDE UNIT WITH DIFF. ENTHALPY ECONOMIZER, BAROMETRIC RELIEF, CONDENSER COIL HAIL GUARDS 14" FACTORY CURB, RTD11-135S STEP DOWN DIFFUSER & FACTORY INSTALLED RAWL VALVE.	PROVIDE UNIT WITH DIFF. ENTHALPY ECONOMIZER, BAROMETRIC RELIEF, CONDENSER COIL HAIL GUARDS 14" FACTORY CURB & FACTORY INSTALLED RAWL VALVE.



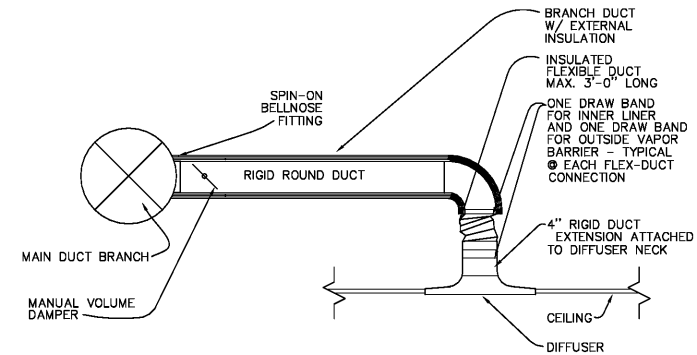
4 RTU ROOF CURB HURRICANE STRAPPING
NO SCALE



3 MECHANICAL EQUIPMENT CURB DETAIL
NO SCALE



2 DUCT MOUNTED GRILLE
NO SCALE



1 TYP. DIFFUSER/DUCT CONNECTIONS
NO SCALE
SURFACE MOUNT DIFFUSER

ROBERT F. VANNEY ARCHITECT

301 WEST STREET STE. 201
SAINT PAUL, MINNESOTA 55101
651.222.4842 FAX 651.222.3838

consultant
HALLBERG ENGINEERING
Mechanical/Electrical Consulting Engineers
1750 Commerce Court
White Bear Lake, WI 55110
(651) 748-1100 • Fax (651) 748-9370

West Marine
500 Westridge Drive
Watsonville, California 95076
p: 831.728.2700 f: 831.761.4220

ISLAND WALK @ PALM COAST
250 PALM COAST PKWY NE
PALM COAST, FL 32137
STORE #TBD

commission number R17-2777.003

WM 75% 07/07/2017
LL Final
Permit 07/24/2017
Bidding 10/02/2017

MECHANICAL DETAILS AND SCHEDULES

sheet number
M201