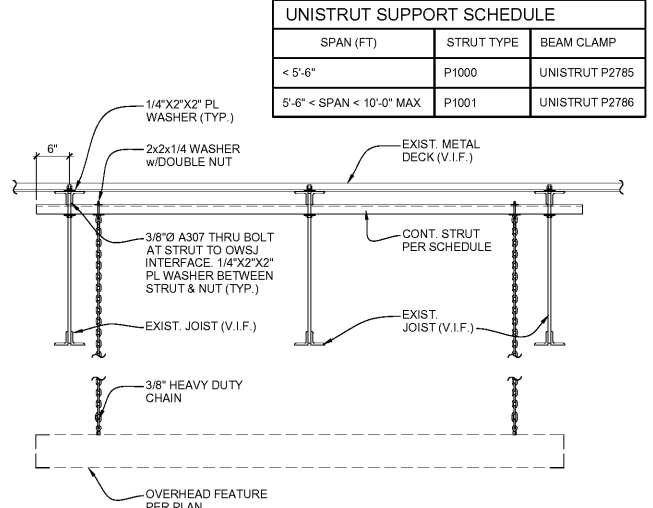
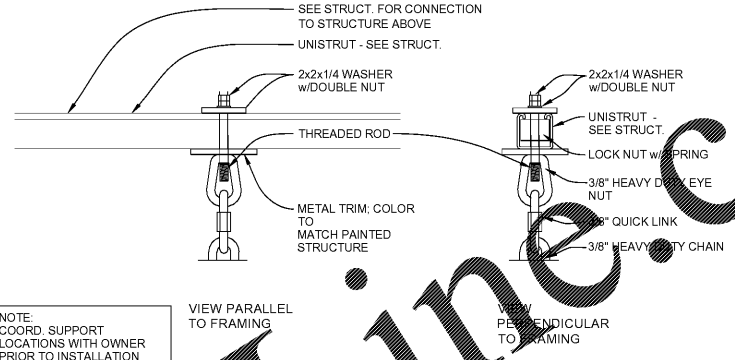


1 OVERHEAD FEATURE PLAN
 A902 3/4" = 1'-0"



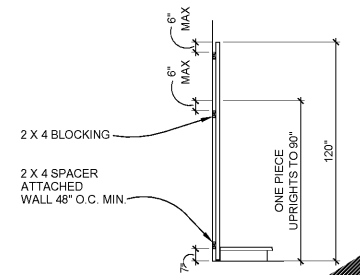
2 OVERHEAD FEATURE - PERPENDICULAR TO STRUCTURE
 A902 3/4" = 1'-0"



NOTE: COORD. SUPPORT LOCATIONS WITH OWNER PRIOR TO INSTALLATION

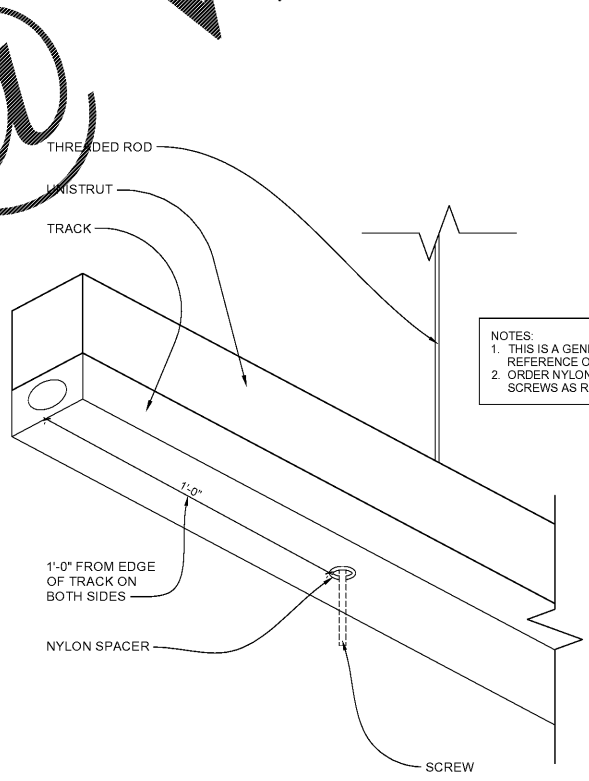
3 OVERHEAD FEATURE DISPLAY MOUNTING
 A902 3" = 1'-0"

NOTE: SEE LEDGER INSTALLATION INSTRUCTIONS



DETAIL B: TRIPLE LEDGER BLOCKING
 L-TL

5 LEDGER DETAILS AND INSTALLATION
 A902 1/8" = 1'-0"



7 TRACK MOUNTING DTL.
 A902 NOT TO SCALE

LOZIER LEDGER GUIDELINES

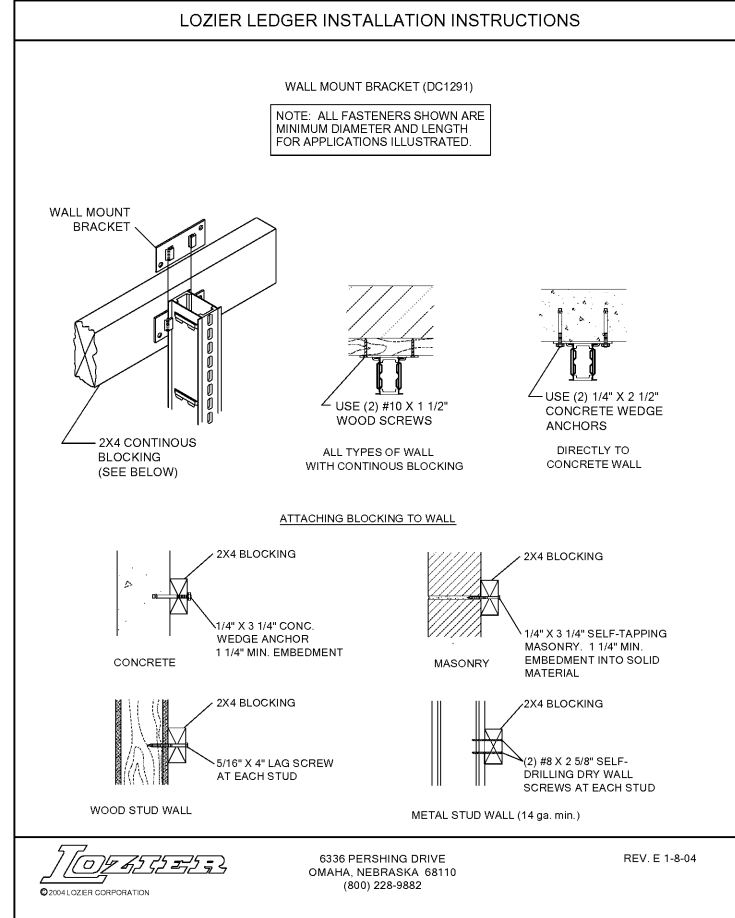
ANCHORING OF ALL WALL SECTIONS IS RECOMMENDED FOR LIMITING DEFLECTION UNDER LOADED CONDITIONS. ADDITIONAL UNBALANCED LOAD CAPACITY MAY BE AVAILABLE IF THE WALL SECTIONS ARE ANCHORED TO A SUITABLE BUILDING WALL OR OTHER STRUCTURE TO PREVENT COLLAPSE OF THE SHELVING.

THE PURCHASER OF THE FIXTURE IS RESPONSIBLE FOR DETERMINING THE SUITABILITY OF ANY SPECIFIC WALL OR STRUCTURE TO WHICH SHELVING IS ANCHORED, FOR THE SELECTION OF AND/OR PROPER INSTALLATION OF THE ANCHORING FASTENER HARDWARE AND MATERIALS, AND FOR THE WORKMANSHIP OF THOSE PERFORMING ANCHORING. THESE GUIDELINES ARE MEANT TO ILLUSTRATE TYPICAL TYPES OF ANCHORING AND DO NOT CONSTITUTE ANY ENDORSEMENT BY LOZIER OF ANY SPECIFIC ANCHORING APPLICATION. EACH APPLICATION WILL VARY DUE TO THE BUILDING, STRUCTURE AND MATERIALS USED FOR ANCHORING, AND PROFESSIONAL ADVICE SHOULD BE SOUGHT FOR EACH ANCHORED INSTALLATION.

ANCHORING SITUATIONS OTHER THAN THOSE ILLUSTRATED MAY BE ENCOUNTERED. AS A GUIDELINE, EACH ANCHORING LOCATION SHOWN MUST PROVIDE 450 LBS. PULL-OUT RESISTANCE AND BE LOCATED AS SHOWN IN THESE ILLUSTRATIONS. EXTREME CARE MUST BE TAKEN TO INSURE THAT THE BUILDING WALL OR OTHER STRUCTURE IS SOLID AND SUITABLE FOR ANCHORING AND WILL SUPPORT THE LOAD BEING ANCHORED TO IT.

WHEN ANCHORING WALL SECTIONS FOR STABILITY AND/OR ALIGNMENT ONLY, 1x4 BLOCKING MAY BE USED IN PLACE OF THE 2x4 BLOCKING ILLUSTRATED HEREIN. HOWEVER, WALL SECTIONS UNBALANCED LOAD IS LIMITED TO 12,000 POUNDS WHEN 1x4 BLOCKING IS USED.

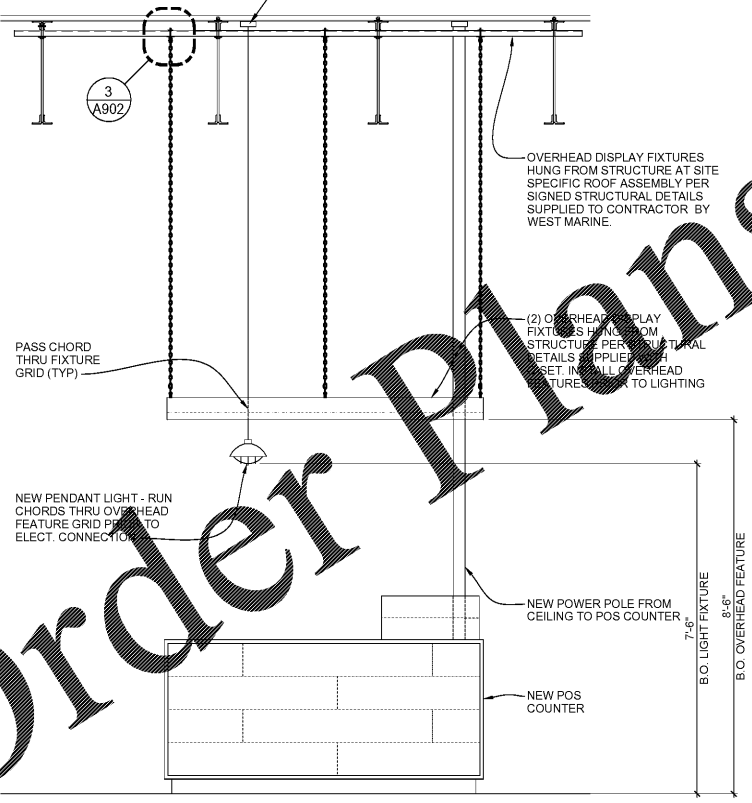
DO NOT USE PLASTIC OR FIBER ANCHORS, CONCRETE NAILS OR REGULAR NAILS.



8 LEDGER DETAILS AND INSTALLATION
 A902 1/8" = 1'-0"

4 NOT USED
 A902

(2) NEW UL LISTED 4" SQ CEILING MOUNTED JUNCTION BOXES TIED TO EXISTING LIGHTING CIRCUITS W/ NEW 1-1/8" CONDUIT. ELECTRICIAN TO VERIFY CIRCUIT CAPACITY PRIOR TO CONNECTION



6 OVERHEAD FEATURE DETAIL
 A902 1/2" = 1'-0"

Order Plans

WWW.LOZIERLINE.COM