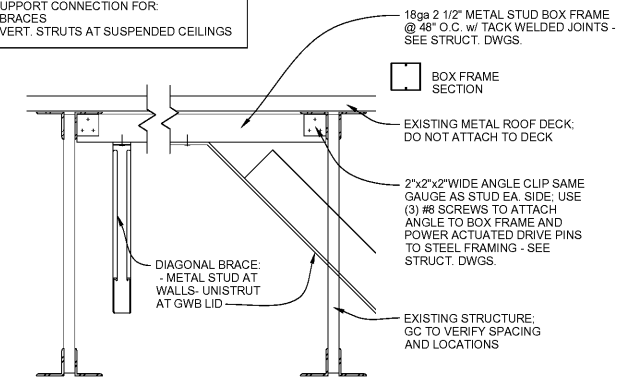
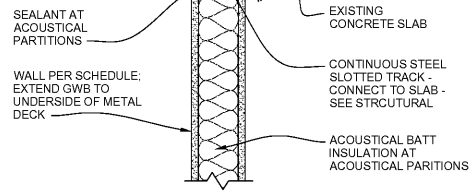


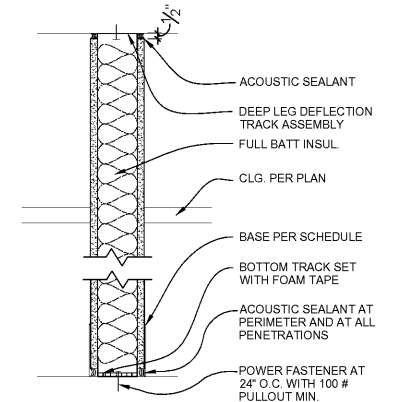
SUPPORT CONNECTION FOR BRACES - VERT. STRUTS AT SUSPENDED CEILINGS



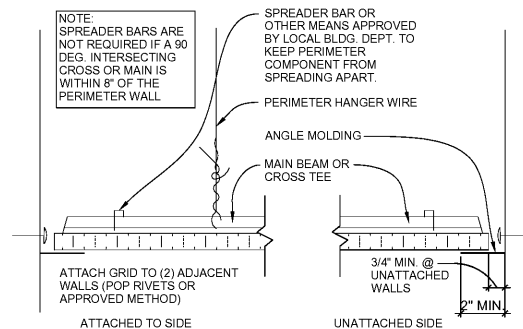
1 BRACE SUPPORT @ ROOF FRAMING
A901 1 1/2" = 1'-0"



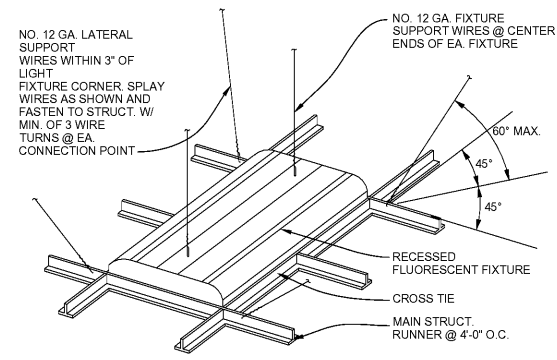
2 T.O. PARTITION @ STRUCTURE
A901 1 1/2" = 1'-0"



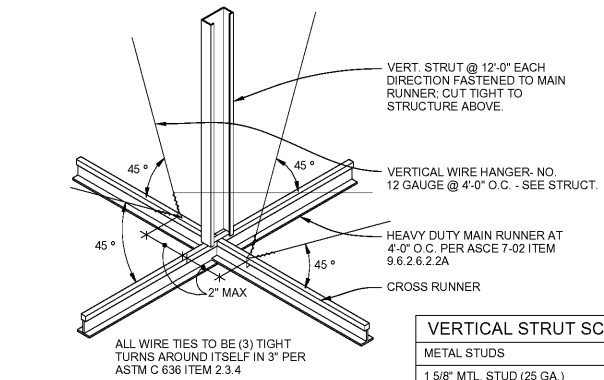
3 ACOUSTIC PARTITION
A901 1 1/2" = 1'-0"



4 ACT TO WALL ATTACHMENT
A901 3" = 1'-0"

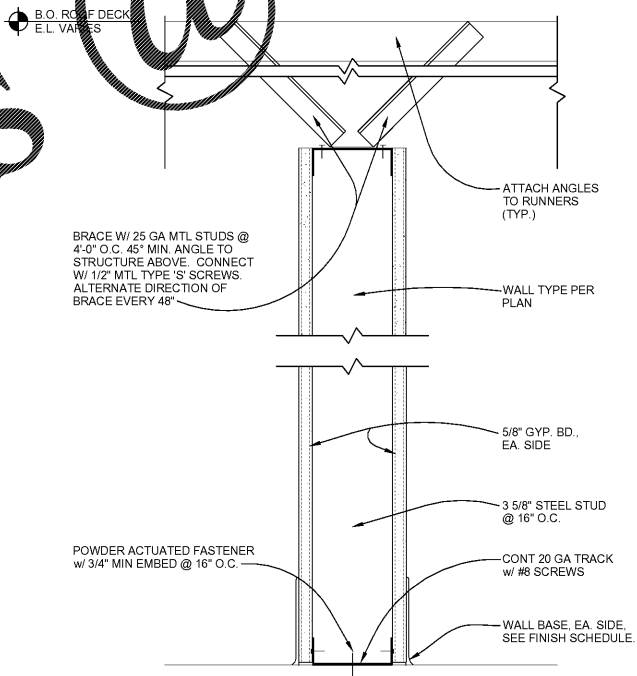


5 LIGHT FIXTURE BRACING
A901 1 1/2" = 1'-0"

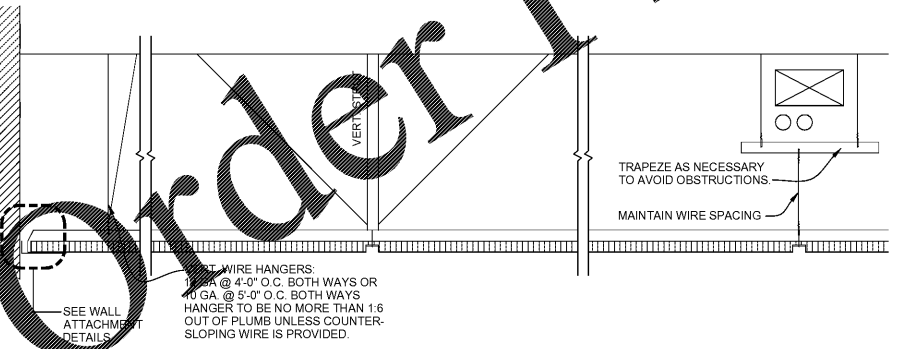


VERTICAL STRUT SCHEDULE	
METAL STUDS	UP TO 8'-0"
1 5/8" MTL. STUD (25 GA.)	

6 ACT LATERAL FORCE BRACING
A901 1" = 1'-0"



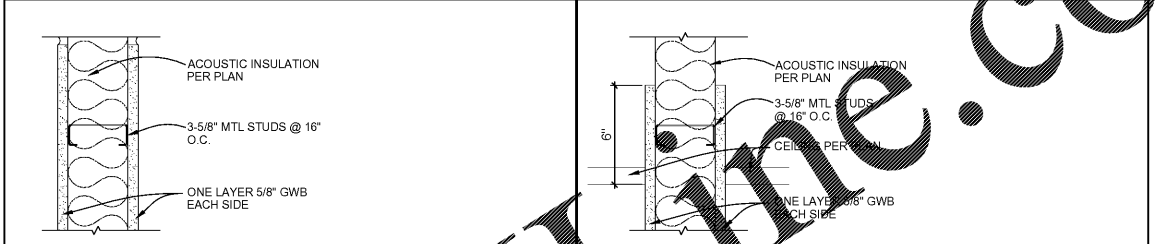
7 WALL SILL/HEAD DETAIL
A901 3" = 1'-0"



8 ACT LATERAL BRACING
A901 1 1/2" = 1'-0"

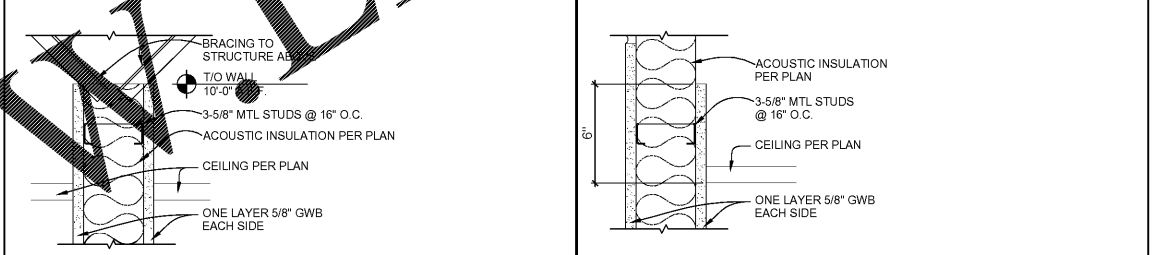
PARTITION TYPES

- SEE INTERIOR ELEVATIONS AND REFLECTED CEILING PLAN FOR PARTITION HEIGHTS.
- ALL NEW INTERIOR PARTITIONS ARE TYPE 'A' UNLESS CALLED OUT OTHERWISE.
- ALL GYP BOARD IS 5/8" TYPE 'X' UNO.
- BLOCKING IS REQ'D AT THE FOLLOWING LOCATIONS: PERIMETER FIXTURES, OFFICE FURNITURE, SHELVING, ACCESSORIES & EQUIPMENT; DOOR HARDWARE; TOILET PARTITIONS & ACCESSORIES & OTHER LOCATIONS WHERE REQ'D PER MANUFACTURER'S RECOMMENDATIONS OR INDUSTRY STANDARDS.
- DIFFERING PARTITION TYPES SHALL ALIGN SO THAT WALL PLANES CONTINUE UNBROKEN IN ROOMS, UNO, WHERE 2 DIFFERENT CEILING HTS ABUT A NON-RATED PARTITION. THE GWB SHALL EXTEND A MIN OF 6" ABOVE THE CEILING ON EACH SIDE.
- FIRE RATED PARTITIONS MAY HAVE OPENINGS FOR STEEL ELEC BOXES NOT TO EXCEED 16 SQ INCHES PROVIDED THE AGGREGATE AREA OF ALL BOXES DOESN'T EXCEED 100 SQ INCHES FOR ANY 100 SQ FT. OF PARTITION. OUTLET BOXES ON OPPOSITE SIDES OF PARTITIONS TO BE SPACED APART MIN 24".
- SOUND ATTENUATION BLANKETS SHALL BE ADDED TO ALL APPROPRIATELY HATCHED INTERIOR PARTITIONS. SEE PLAN AND KEY.
- AT WALLS PERPENDICULAR TO JOISTS DRYWALL TO BE BOXED TIGHT AROUND JOIST.



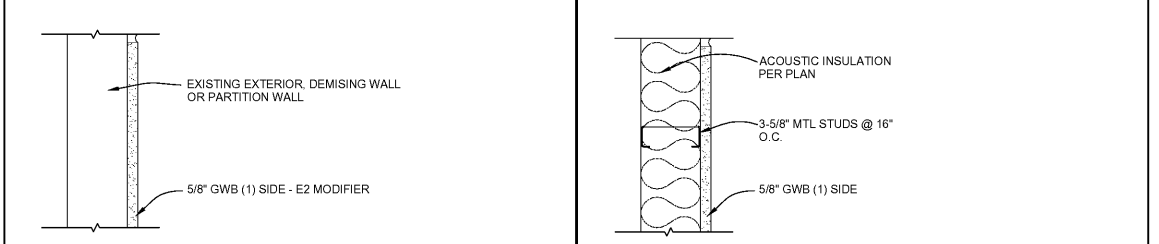
RATINGS		MODIFIERS		RATINGS		MODIFIERS	
FIRE	NONE	A1	USE 6" METAL STUDS	FIRE	NONE	B1	USE 6" METAL STUDS
		A2				B2	

A 3 5/8" MTL. STUD; GWB TWO SIDES - FULL HEIGHT WALL (TO BOTTOM OF STRUCTURE)
B 3 5/8" MTL. STUD; GWB TWO SIDES - STUD FULL HEIGHT (TO BOTTOM OF STRUCTURE)



RATINGS		MODIFIERS		RATINGS		MODIFIERS	
FIRE	NONE	C1	USE 6" METAL STUDS	FIRE	NONE	D1	USE 6" METAL STUDS
		C2				D2	

C 3 5/8" MTL. STUD; GWB TWO SIDES - STUD TO 10'-0" (BRACED TO BOTTOM OF STRUCTURE)
D 3 5/8" MTL. STUD; GWB FULL HT. (1) SIDE - STUD FULL HEIGHT (TO BOTTOM OF STRUCTURE)



RATINGS		MODIFIERS		RATINGS		MODIFIERS	
FIRE	NONE	E1	EXISTING 2 HOUR 8" CMU BLOCK WALL	FIRE	NONE	F1	USE 6" METAL STUDS
		E2	EXISTING 8" CMU BLOCK WALL WITH CORE FILL INSULATION, 1 1/2" RIGID INSULATION ON "Z" CHANNELS. G.C. TO PROVIDE NEW 5/8" TYPE 'X' GYP. BD.			F2	

E EXISTING
F 3 5/8" MTL. STUD; GWB ONE SIDE - FULL HEIGHT WALL (TO BOTTOM OF STRUCTURE)

- NOTES
- ALL INSULATION SHALL HAVE MAXIMUM FLAME SPREAD INDEX OF 25 AND MAXIMUM SMOKE DEVELOPED INDEX OF 450 PER CODE.
 - PROVIDE MOISTURE OR MOLD RESISTANT GWB AT RESTROOMS, BREAK ROOM WET WALL, AND BEHIND DRINKING FOUNTAIN.
 - REFER TO STRUCTURAL FOR STUD GAGE AND SPACING.
 - FIRE RATING AND SOUND TRANSMISSION COEFFICIENTS ARE BASED UPON THE ASSEMBLIES SHOWN WITHOUT INSULATION, UNLESS NOTED OTHERWISE.
 - REFER TO WALL DETAILS FOR TERMINATIONS, CONNECTIONS, PENETRATIONS AND INTERSECTIONS.
 - ACOUSTIC SEALANT SHALL CONFORM TO ASTM C919-02.
 - SEPARATE BACK TO BACK ELECTRICAL OR OTHER UTILITY BOXES BY AT LEAST ONE STUD BAY IN SINGLE STUD WALLS AND TWO STUD BAYS IN STAGGERED STUD OR DOUBLE STUD WALL ASSEMBLIES.
 - SEAL ALL DUCT, CONDUIT OR PIPING PENETRATIONS THROUGH ACOUSTICALLY RATED CONSTRUCTION TO PREVENT DIRECT CONTACT USING RESILIENT NON-HARDENING CAULK. USE FIRE-RATED ACOUSTICAL CAULK IN FIRE-RATED CONSTRUCTION.
 - REFER TO PLUMBING DRAWINGS AND SPECIFICATIONS FOR VIBRATION ISOLATION REQUIREMENTS IN AREAS WHERE PLUMBING RUNS IN PROXIMITY TO NOISE-SENSITIVE SPACES.
 - STAGGER ALL JOINTS WHENEVER TWO OR MORE LAYERS OF GWB ARE SCHEDULED.
 - SECURE BATT INSULATION TO THE STRUCTURE AS REQUIRED TO PREVENT SAGGING OR DISPLACEMENT.
 - CONFORM TO TESTING AGENCY ASSEMBLY # NOTED FOR EACH RATED WALL TYPE.
 - ALL WIRE SHALL BE 12 GA. GALV. WIRE OR CODE APPROVED EQUAL.
 - ALL HANGERS AND RUNNERS SHALL BE ACCURATELY LEVELED AND SPACED PER MANUF. SPECS.
 - ALL INTERSECTIONS AND CONNECTION ACCESSORIES SHALL BE CAPABLE OF WITHSTANDING DESIGN LOADS REQUIRED BY LOCAL CODES.
 - AT LIGHT FIXTURES LESS THAN 10 LBS. PROVIDE (1) 12 GA. WIRE.
 - AT LIGHT FIXTURES WEIGHING MORE THAN 10 AND LESS THAN 56 LBS. USE (2) 12 GA. WIRES AT OPPOSING CORNERS TO STRUCTURE ABOVE.
 - AT LIGHT FIXTURES WEIGHING MORE THAN 56 LBS. SUPPORT DIRECTLY TO STRUCTURE ABOVE.
 - PENDANT MOUNTED FIXTURES SHALL BE DIRECTLY SUPPORTED FROM STRUCTURE ABOVE W/ 9 GA. WIRE W/O USING THE CLG. SYSTEM FOR DIRECT SUPPORT.

ROBERT F. VANNEY ARCHITECT

300 ROBERT STREET, STE. 201
SAINT PAUL, MINNESOTA 55101
(612) 222-4842 FAX (612) 222-3838

consultant

West Marine
500 Westridge Drive
Watsonville, California 95076
p: 831.728.2700 f: 831.761.4220

ISLAND WALK @ PALM COAST
250 PALM COAST PKWY NE
PALM COAST, FL 32137
STORE #TBD

commission number 44-1047

WM 75% 07/07/2017

- LL Final
- Permit
- Bidding

drawing title

WALL TYPES & DETAILS

sheet number

A901