

**DISABLED ACCESS FOR BUILDINGS ( SITEWORK BY OTHERS)**

**ENTRANCES & EXITS**

- DURING PERIODS OF PARTIAL OR RESTRICTED USE OF A BUILDING OR FACILITY, THE ENTRANCES USED FOR PRIMARY ACCESS SHALL BE ACCESSIBLE TO AND USABLE BY PERSONS WITH DISABILITIES.
- EXIT DOORS SHALL BE OPENABLE FROM THE INSIDE WITHOUT THE USE OF A KEY OR ANY SPECIAL KNOWLEDGE OR EFFORT.
- MANUALLY OPERATED EDGE OR SURFACE MOUNTED FLUSH BOLTS AND SURFACE BOLTS ARE PROHIBITED. WHEN EXIT DOORS ARE USED IN PAIRS AND APPROVED AUTOMATIC FLUSH BOLTS ARE USED, THE DOOR LEAF HAVING THE AUTOMATIC FLUSH BOLTS SHALL HAVE NO DOORNOB OR SURFACE MOUNTED HARDWARE. THE UNLATCHING OF ANY LEAF SHALL NOT REQUIRE MORE THAN ONE OPERATION.
- LATCHING AND LOCKING DOORS THAT ARE HAND ACTIVATED AND WHICH ARE IN A PATH OF TRAVEL SHALL BE OPERABLE WITH A SINGLE EFFORT BY LEVER TYPE HARDWARE, PANIC BARS, PUSH-PULL ACTIVATING BARS, OR OTHER HARDWARE DESIGNED TO PROVIDE PASSAGE WITHOUT REQUIRING THE ABILITY TO GRASP THE OPENING HARDWARE. LOCKED EXIT DOORS SHALL OPERATE AS ABOVE IN EGRESS DIRECTION.
- HAND-ACTIVATED DOOR OPENING HARDWARE SHALL BE MOUNTED AT 34" MIN. TO 48" MAX. ABOVE THE FLOOR.
- EVERY DOORWAY WHICH IS LOCATED WITHIN AN ACCESSIBLE PATH OF TRAVEL SHALL BE OF A SIZE AS TO PERMIT THE INSTALLATION OF A DOOR NOT LESS THAN 3 FT. IN WIDTH AND NOT LESS THAN 7' 6" IN HEIGHT. WHEN INSTALLED, EXIT DOORS SHALL BE CAPABLE OF OPENING SO THAT THE CLEAR WIDTH OF THE EXIT IS NOT LESS THAN 32".
- FOR HINGED DOORS, THE OPENING WIDTH SHALL BE MEASURED WITH THE DOOR POSITIONED AT AN ANGLE OF 90 DEGREES FROM ITS CLOSED POSITION.
- WHERE A PAIR OF DOORS IS UTILIZED, AT LEAST ONE OF THE DOORS SHALL PROVIDE A CLEAR UNOBSTRUCTED OPENING WIDTH OF 32" WITH THE LEAF POSITIONED AT AN ANGLE OF 90 DEGREES FROM ITS CLOSED POSITION.
- WHEN AN AUTOMATIC DOOR OPERATOR IS UTILIZED TO OPERATE A PAIR OF DOORS, AT LEAST ONE OF THE DOORS SHALL PROVIDE A CLEAR UNOBSTRUCTED OPENING WIDTH OF 32" WITH THE DOOR POSITIONED AT AN ANGLE OF 90 DEGREES FROM ITS CLOSED POSITION.
- THE FLOOR OR LANDING SHALL NOT BE MORE THAN 1/2" LOWER THAN THE THRESHOLD OF THE DOORWAY.
- THE BOTTOM 10" OF ALL DOORS (EXCEPT AUTOMATIC DOORS) SHALL HAVE A SMOOTH, UNINTERRUPTED SURFACE TO ALLOW THE DOOR TO BE OPENED BY A WHEELCHAIR FOOTREST WITHOUT CREATING A TRAP OR HAZARDOUS CONDITION. WHERE NARROW FRAME DOORS ARE USED, A 10" HIGH SMOOTH PANEL SHALL BE INSTALLED ON THE PUSH SIDE OF THE DOOR WHICH WILL ALLOW THE DOOR TO BE OPENED BY A WHEELCHAIR FOOTREST WITHOUT CREATING A TRAP OR HAZARDOUS CONDITION.
- MAXIMUM EFFORT TO OPERATE DOORS SHALL NOT EXCEED 5 POUNDS FOR EXTERIOR & INTERIOR DOORS, AND 15 POUNDS FOR FIRE DOORS. WHEN SUCH EFFORT IS APPLIED AT RIGHT ANGLES TO HINGED DOORS AND AT THE CENTER PLANE OF SLIDING OR FOLDING DOORS, COMPENSATING DEVICES OR AUTOMATIC DOOR OPERATORS MAY BE UTILIZED TO MEET THE ABOVE STANDARDS. WHEN FIRE DOORS ARE REQUIRED, THE MAXIMUM EFFORT TO OPERATE SUCH DOORS MAY BE INCREASED TO THE MAXIMUM ALLOWABLE BY THE APPROPRIATE ADMINISTRATIVE AUTHORITY, NOT TO EXCEED 15 POUNDS.

**FLOOR & LEVELS**

- GROUND AND FLOOR SURFACES ALONG ACCESSIBLE ROUTES AND IN ACCESSIBLE ROOMS AND SPACES, INCLUDING FLOORS, WALKS, RAMPS, STAIRS, AND CURB RAMPS, SHALL BE STABLE, FIRM AND SLIP RESISTANT.
- CHANGES IN LEVEL UP TO 1/2" MAY BE VERTICAL AND WITHOUT EDGE TREATMENT.
- CHANGES IN LEVEL BETWEEN 1/2" AND 1/4" SHALL BE BEVELED WITH A SLOPE NO STEEPER THAN 1 VERTICAL TO 2 HORIZONTAL.
- IF CARPET OR CARPET TILE IS USED ON A GROUND OR FLOOR SURFACE, IT SHALL BE SECURELY ATTACHED, HAVE A FIRM CUSHION, PAD OR BACKING OR NO CUSHION OR PAD, AND HAVE A LEVEL LOOP, TEXTURED LOOP, LEVEL CUT PILE OR LEVEL CUT UNLATCHED PILE TEXTURE. THE MAXIMUM PILE HEIGHT SHALL BE 1/4". EXPOSED EDGES OF CARPET SHALL BE FASTENED TO FLOOR SURFACES AND HAVE TRIM ALONG THE ENTIRE LENGTH OF THE EXPOSED EDGE. CARPET EDGE TRIM SHALL COMPLY.

**SERVICE DESK AND COUNTERS**

- HEIGHT OF WORK SURFACES: THE TOPS OF TABLES AND COUNTERS SHALL BE 28 INCHES TO 34 INCHES (711 MM TO 864 MM) FROM THE FLOOR OR GROUND.

WHERE A SINGLE COUNTER CONTAINS MORE THAN ONE TRANSACTION STATION, SUCH AS (BUT NOT LIMITED TO) A BANK COUNTER WITH MULTIPLE TELLER WINDOWS OR A RETAIL SALES COUNTER WITH MULTIPLE CASH REGISTER STATIONS, AT LEAST 5 PERCENT, BUT NEVER LESS THAN ONE, OF EACH TYPE OF STATION SHALL BE LOCATED AT A SECTION OF COUNTER THAT IS AT LEAST 36 INCHES (914 MM) LONG AND BETWEEN 28" TO 34" HIGH.

**SALES FACILITIES**

- WHERE SHOPPING THEFT PREVENTION BARRIERS ARE UTILIZED THEY SHALL CONFORM TO THE FOLLOWING REQUIREMENTS:
  - EACH ENTRANCE AND EXIT PROVIDED FOR PUBLIC USE SHALL BE ACCESSIBLE TO, AND USABLE BY, PERSONS WITH DISABILITIES.
  - SHOPPING BARRIERS LOCATED AT A PUBLIC ENTRANCE OR EXIT SHALL BE DESIGNED TO PROVIDE A CLEAR UNOBSTRUCTED OPENING AT LEAST 32" IN WIDTH FOR INGRESS AND EGRESS OF PERSONS WITH DISABILITIES.
  - WHERE A CLEAR UNOBSTRUCTED OPENING IS PROVIDED, A LEVEL AREA IS REQUIRED ON BOTH SIDES OF THE CLEAR OPENING AT LEAST 48" IN WIDTH.
  - INTERIOR AND EXTERIOR PEDESTRIAN TRAFFIC BARRIERS (POSTS, RAILS, TURNSTILES, ETC.) SHALL ALLOW UNOBSTRUCTED TRAVEL FOR PERSONS WITH DISABILITIES THROUGH A 32" CLEAR OPENING.

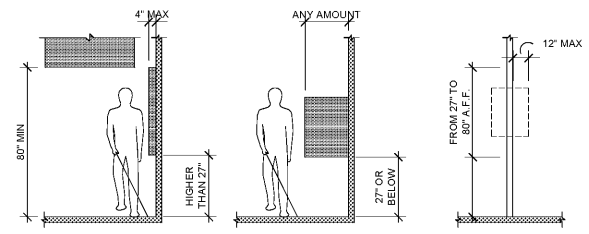
**CONTROLS & OPERATING MECHANISM**

GENERAL - CONTROLS AND OPERATING MECHANISMS REQUIRED TO BE ACCESSIBLE SHALL COMPLY WITH THE PROVISIONS OF THIS SECTION. THE HIGHEST OPERABLE PART OF ALL CONTROLS, DISPENSERS, RECEPTACLES AND OTHER OPERABLE EQUIPMENT SHALL BE PLACED WITHIN ONE OF THE REACH RANGES DETAILED BELOW. CLEAR FLOOR SPACE SHALL BE PROVIDED AT CONTROLS, DISPENSERS, RECEPTACLES AND OTHER OPERABLE EQUIPMENT AS DETAILED BELOW.

- ELECTRICAL AND COMMUNICATIONS SYSTEM RECEPTACLES ON WALLS SHALL BE MOUNTED NO LESS THAN 15" ABOVE THE FLOOR. EXCEPTION: THESE REQUIREMENTS DO NOT APPLY WHERE THE USE OF SPECIAL EQUIPMENT INDICATES OTHERWISE OR WHERE ELECTRICAL AND COMMUNICATIONS SYSTEMS RECEPTACLES ARE NOT NORMALLY INTENDED FOR USE BY BUILDING OCCUPANTS.
- CONTROLS AND OPERATING MECHANISMS ARE OPERABLE WITH ONE HAND AND DO NOT REQUIRE TIGHT GRASPING, PINCHING OR TWISTING OF THE WRIST. THE FORCE REQUIRED TO ACTIVATE CONTROLS IS NO GREATER THAN 5 POUNDS OF FORCE.

**SIGN & IDENTIFICATION**

- THE INTERNATIONAL SYMBOL OF ACCESSIBILITY SHALL BE THE STANDARD USED TO IDENTIFY FACILITIES THAT ARE ACCESSIBLE TO AND USABLE BY PHYSICALLY DISABLED PERSONS AS SET FORTH IN ADA.
- THE INTERNATIONAL SYMBOL OF ACCESSIBILITY SHALL CONSIST OF A WHITE FIGURE ON A BLUE BACKGROUND. THE BLUE SHALL BE EQUAL TO COLOR NO. 15990 IN FEDERAL STANDARD 599B.
- LETTERS AND NUMBERS ON SIGNS SHALL HAVE A WIDTH-TO-HEIGHT RATIO OF BETWEEN 3.5 AND 1:1 AND A STROKE WIDTH-TO-HEIGHT RATIO BETWEEN 1.5 AND 1:10.
- CHARACTERS AND NUMBERS ON SIGNS SHALL BE SIZED ACCORDING TO THE VIEWING DISTANCE FROM WHICH THEY ARE TO BE READ. THE MINIMUM HEIGHT IS MEASURED USING AN UPPER CASE X. LOWER CASE CHARACTERS ARE PERMITTED. FOR SIGNS SUSPENDED OR PROJECTED ABOVE THE FINISH FLOOR, IN COMPLIANCE, THE MINIMUM CHARACTER HEIGHT SHALL BE 3".
- CHARACTERS AND SYMBOLS SHALL CONTRAST WITH THEIR BACKGROUND.
- WHEN RAISED CHARACTERS OR SYMBOLS ARE USED, THEY SHALL CONFORM TO THE FOLLOWING:
  - LETTERS AND NUMBERS ON SIGNS SHALL BE RAISED 1/8" MINIMUM AND SHALL BE SANS-SERIF UPPERCASE CHARACTERS ACCOMPANIED BY GRADE 2 BRAILLE.
  - RAISED CHARACTERS OR SYMBOLS SHALL BE A MINIMUM OF 1/4" HIGH.
  - PICTORIAL SYMBOL SIGNS (PICTOGRAMS) SHALL BE ACCOMPANIED BY THE EQUIVALENT VERBAL DESCRIPTION PLACED DIRECTLY BELOW THE PICTOGRAM. THE BORDER DIMENSION OF THE PICTOGRAM SHALL BE A MINIMUM OF 6" IN HEIGHT.
- CONTRACTED GRADE 2 BRAILLE SHALL BE USED WHEREVER BRAILLE SYMBOLS ARE SPECIFICALLY REQUIRED IN OTHER PORTIONS OF THESE REGULATIONS. DOTS SHALL BE 1/8" ON CENTER IN EACH CELL WITH 1/4" SPACE BETWEEN CELLS. DOTS SHALL BE RAISED A MINIMUM OF 1/8" ABOVE THE BACKGROUND.
- WHEN PERMANENT IDENTIFICATION IS PROVIDED FOR ROOMS AND SPACES, RAISED LETTERS SHALL BE ACCOMPANIED BY BRAILLE SIGNS SHALL BE INSTALLED ON THE WALL ADJACENT TO THE LATCH SIDE OF THE DOOR. WHERE THERE IS NO WALL SPACE ON THE LATCH SIDE, INCLUDING DOUBLE LEAF DOORS, SIGNS SHALL BE PLACED ON THE NEAREST ADJACENT WALL, PREFERABLY ON THE RIGHT. MOUNTING HEIGHT SHALL BE 48" MINIMUM AND 81" MAXIMUM ABOVE FINISH FLOOR. MEASURED TO THE BASELINE OF THE BRAILLE CELLS. MOUNTING LOCATION SHALL BE DETERMINED SO THAT A PERSON MAY APPROACH WITHIN 3' OF THE SIGNAGE WITHOUT ENCOUNTERING PROTRUDING OBJECTS OR STANDING WITHIN THE SWING OF A DOOR.
- ALL BUILDING ENTRANCES THAT ARE ACCESSIBLE TO AND USABLE BY PERSONS WITH DISABILITIES AND AT EVERY MAJOR JUNCTION ALONG OR LEADING TO AN ACCESSIBLE ROUTE OF TRAVEL SHALL BE IDENTIFIED WITH A SIGN DISPLAYING THE INTERNATIONAL SYMBOL OF ACCESSIBILITY AND ADDITIONAL DIRECTIONAL SIGNS, AS REQUIRED, TO BE VISIBLE TO PERSONS ALONG APPROACHING PEDESTRIAN WAYS.
- INTERIOR SIGNAGE PROVIDED AND INSTALLED BY GENERAL CONTRACTOR.
- SIGNAGE CONTAINING THE INTERNATIONAL SYMBOL OF ACCESSIBILITY IS LOCATED AT EVERY PRIMARY PUBLIC ENTRANCE AND AT EVERY MAJOR EXTERIOR JUNCTION ALONG OR LEADING TO AN ACCESSIBLE ROUTE OF TRAVEL.



**PROTRUDING OBJECTS**

- OBJECTS PROJECTING FROM WALLS WHOSE LEADING EDGES ARE BETWEEN 27" OR 80" ABOVE FINISHED FLR. DO NOT PROTRUDE MORE THAN 4" INTO WALKS & HALLS, CORRIDORS, PASSAGEWAY OR AISLES. (OBJECTS WHOSE LEADING EDGES ARE AT OR BELOW 27" ABOVE THE FINISHED FLOOR MAY PROTRUDE ANY AMOUNT.)

NOTE: PROTRUDING OBJECTS MAY NOT REDUCE THE REQUIRED CLEAR WIDTH OF AN ACCESSIBLE ROUTE OR MANEUVERING SPACE.

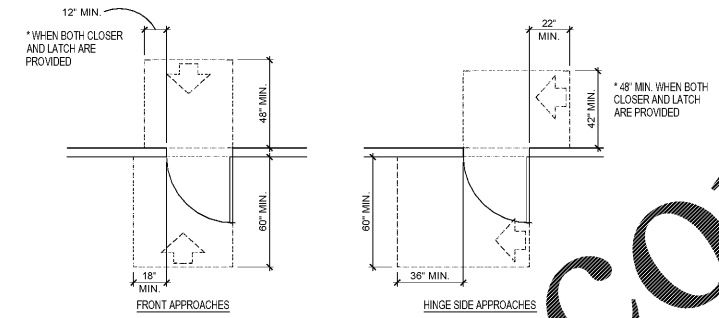
**HEADROOM**

- WALKS, HALLS, CORRIDORS, PASSAGEWAYS, AISLES OR OTHER CIRCULATION SPACES HAVE A MINIMUM OF 80" CLEAR HEADROOM.

NOTE: IF VERT. CLEARANCE OF AN AREA ADJOINING AN ACCESSIBLE ROUTE IS REDUCED TO LESS THAN 80", A BARRIER TO WARN THE BLIND OR VISUALLY IMPAIRED PERSONS SHALL BE PROVIDED.

**FREE-STANDING SIGNS**

- WHEREVER SIGNS MOUNTED ON POSTS OR PYLONS PROTRUDE FROM THE POSTS OR PYLONS AND THE BOTTOM EDGE OF THE SIGN IS AT LEAST 80" ABOVE THE FINISHED FLOOR OR GROUND LEVEL, THE EDGES OF SUCH SIGNS SHALL BE ROUNDED OR EASED AND THE CORNERS SHALL HAVE A MINIMUM RADIUS OF 0.125".
- THE EDGES OF FREE-STANDING SIGNS THAT PROTRUDE INTO A PATH OF TRAVEL ARE ROUNDED OR EASED AND HAVE CORNERS WITH A MINIMUM RADIUS OF 0.125".



**MANEUVERING CLEARANCES AT DOORS**

- DOOR CLEAR FLOOR SPACE IS TO BE MEASURED AT THE FLOOR AND IS TO BE CLEAR OF FLOOR BASE, TRIM, DOOR FRAMES, ETC.
- HANDLES, PULLS, LATCHES, LOCKS, AND OTHER OPERABLE PARTS ON ACCESSIBLE DOORS SHALL HAVE A SHAPE THAT IS EASY TO GRASP WITH ONE HAND AND DOES NOT REQUIRE TIGHT GRASPING, PINCHING, OR TWISTING OF THE WRIST TO OPERATE. OPERABLE PARTS OF SUCH HARDWARE SHALL BE 34" MIN. AND 48" MAX ABOVE THE FLOOR.
- DOOR SURFACE WITH 10" OF THE FLOOR, MEASURED VERTICALLY, SHALL BE A SMOOTH SURFACE ON THE PUSH SIDE EXTENDING THE FULL WIDTH OF THE DOOR.
- EXCEPTIONS: DOORS THAT DO NOT EXTEND TO WITHIN 10" OF THE FLOOR.
- THE FORCE REQUIRED TO ACTIVATE THE CONTROL SHALL NOT EXCEED 5 LBF.

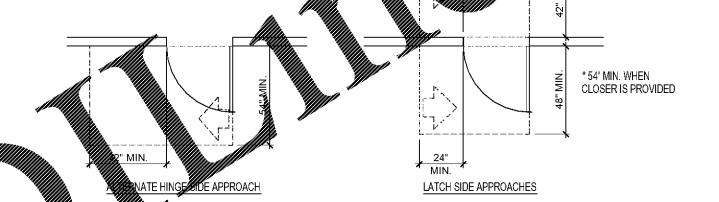
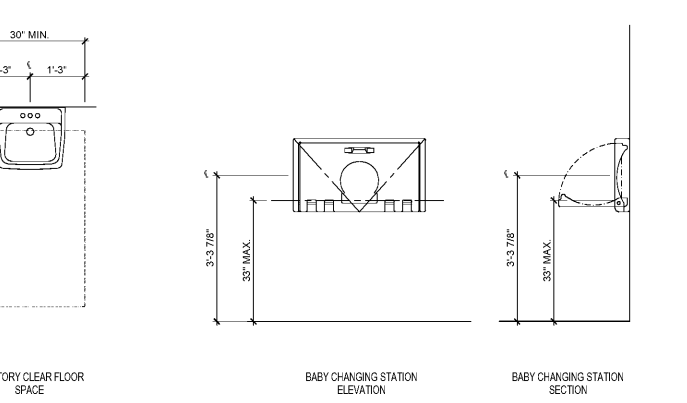
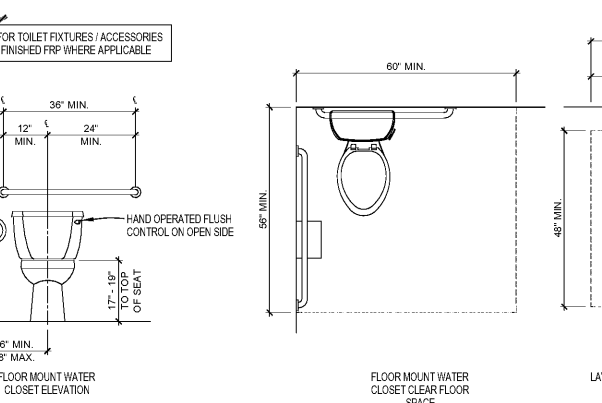
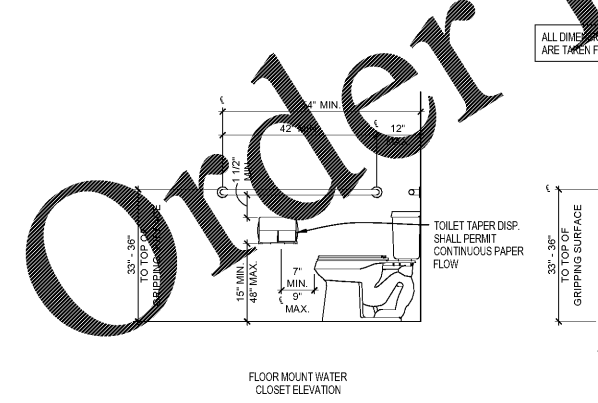
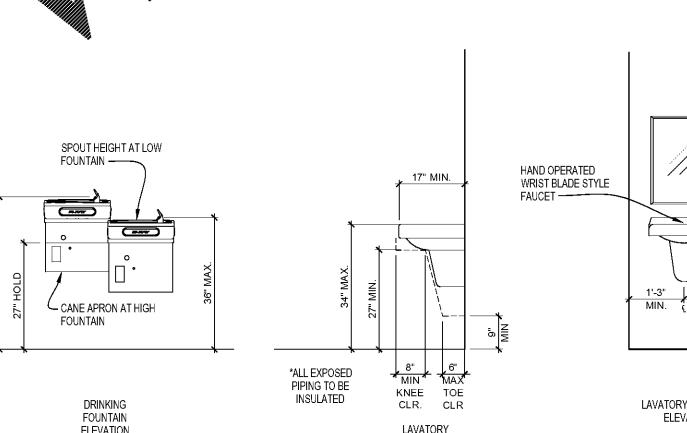
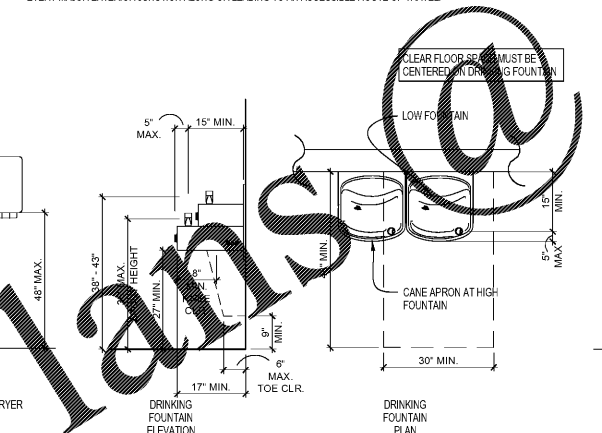
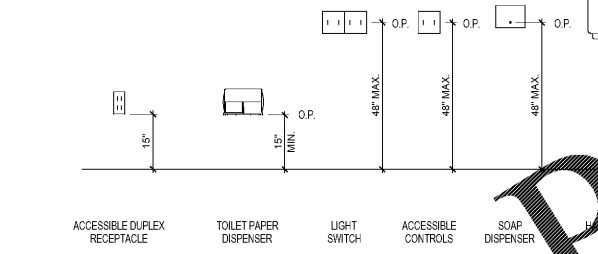


FIG 1 CIRCULAR TURNING SPACE FIG 304.3.2 T-SHAPED TURNING SPACE FIG 305.3 CLEAR FLOOR SPACE

- SANITARY FACILITY FIXTURES & ACCESSORIES**
- ALL SUPPLY AND DRAIN PIPES ACCESSIBLE UNDER LAVATORIES SHALL BE INSULATED OR OTHERWISE COVERED. THERE SHALL BE NO SHARP OR ABRASIVE SURFACES UNDER LAVATORIES.
  - WATER CLOSET AND URINAL FLUSH VALVE CONTROLS AND FAUCET AND OPERATING MECHANISM CONTROLS SHALL BE OPERABLE WITH ONE HAND. SHALL NOT REQUIRE TIGHT GRASPING, PINCHING, OR TWISTING OF THE WRIST. THE FORCE TO ACTIVATE OPERABLE PARTS SHALL BE 5.0 POUNDS.
  - SELF CLOSING FAUCET CONTROL VALVES ARE ALLOWED IF THE FAUCET REMAINS OPEN FOR AT LEAST 10 SECONDS.



- NOTE: ACCESSIBLE FITTING STALL**
- A 60" x 60" CLEAR FLOOR SPACE ALLOWING A PERSON IN A WHEELCHAIR TO MAKE A 180 DEGREE TURN IS PROVIDED IN THE FITTING STALL.
  - DOOR(S) DO NOT SWING INTO 60" x 60" CLEAR FLOOR SPACE.
  - CLEAR FLOOR SPACE IS PROVIDED ALONGSIDE THE BENCH THAT ALLOWS A PERSON USING A WHEELCHAIR TO MAKE A PARALLEL TRANSFER ON TO THE BENCH.
  - THE MINIMUM STRUCTURAL STRENGTH OF THE BENCH WALL SHALL SUPPORT A 250 LB. POINT LOAD.
  - ACCESSIBLE SIGNAGE IS REQUIRED AT ALL ACCESSIBLE FITTING STALLS.

**ROBERT F. VANNEY ARCHITECT**  
 3001 ROBERT STREET, STE. 201  
 SAINT PAUL, MINNESOTA 55101  
 (612) 222-4842 FAX (612) 222-3838

consultant  
**West Marine**  
 500 Westridge Drive  
 Watsonville, California 95076  
 p: 831.728.2700 f: 831.761.4220

ISLAND WALK @  
 PALM COAST  
 250 PALM COAST PKWY NE  
 PALM COAST, FL 32137  
 STORE #TBD

commission number 44-1047

- WM 75% 07/07/2017
- LL Final
- Permit
- Bidding

drawing title  
**ACCESSIBILITY DETAILS**  
 sheet number  
**A004**

Order Plans