

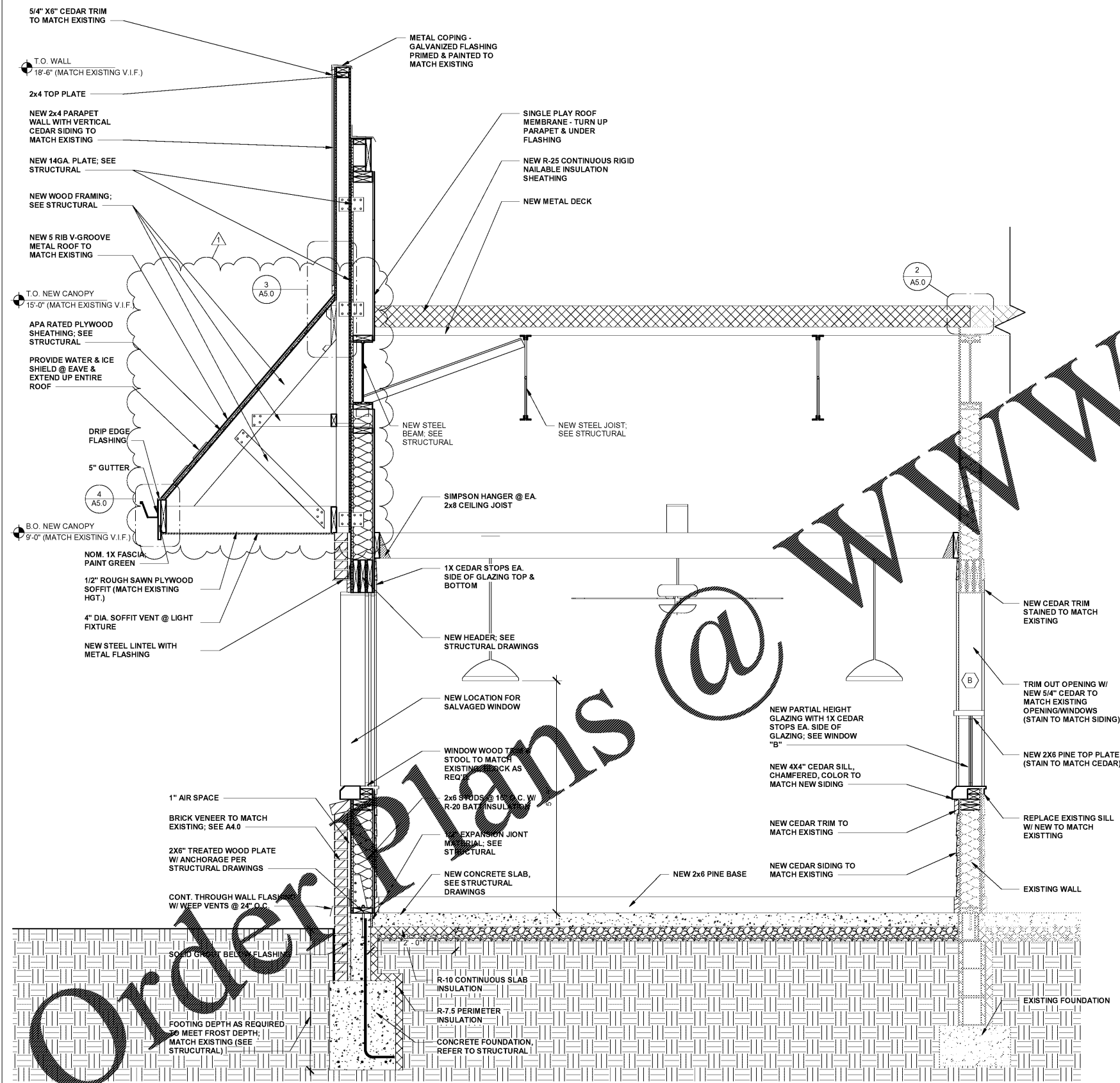
PERMIT SET	
DRAWN BY	LJL
CHECKED BY	KRB
DATE	6/22/2017
REV. DATE	DESCRIPTION

1 OWNER COMMENTS
7/26/17

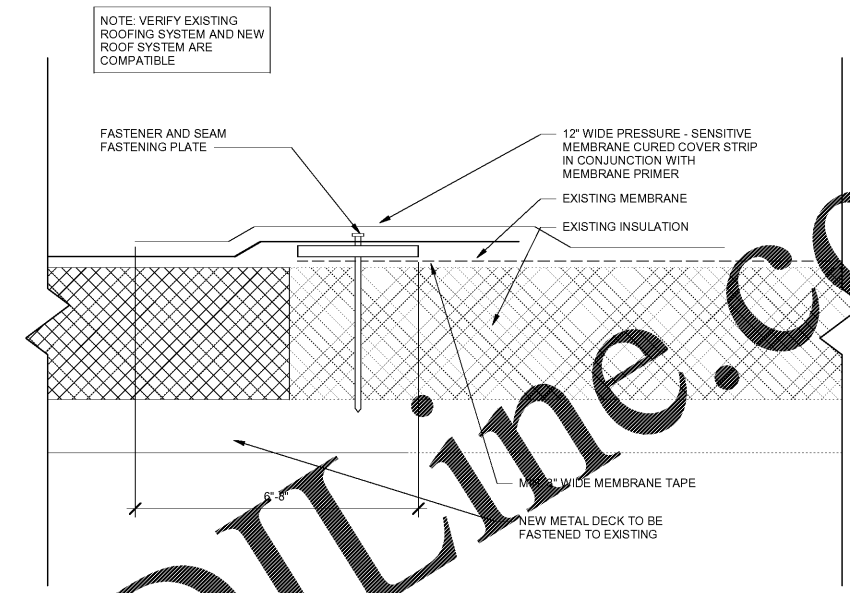
The Construction Documents shall consist of all drawings, specifications, surveys, soils reports, addenda and other documents. Plans, sections or drawings shall be as shown on the drawings. Plans, sections or drawings shall be taken separately or "as shown" from the remainder of the documents. The contractor shall be responsible to determine the entire scope of work. Any discrepancy between the drawings and specifications shall be interpreted at the sole discretion of the Architect.

SHEET TITLE
WALL SECTIONS

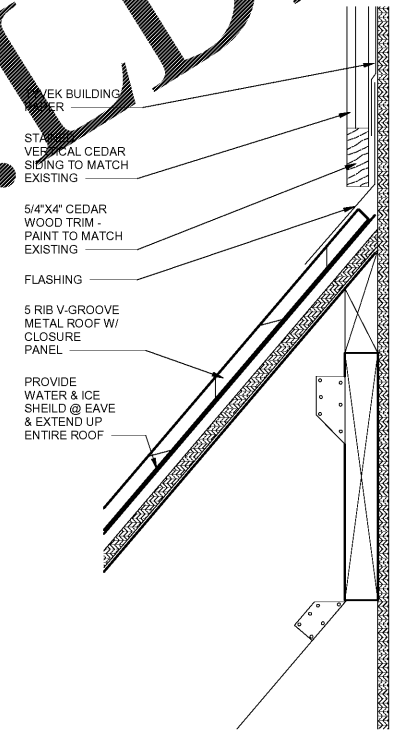
A5.0



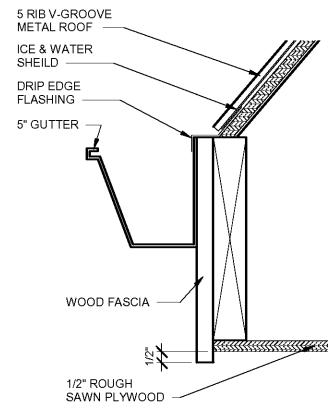
1 WALL SECTION @ WINDOW
3/4" = 1'-0"



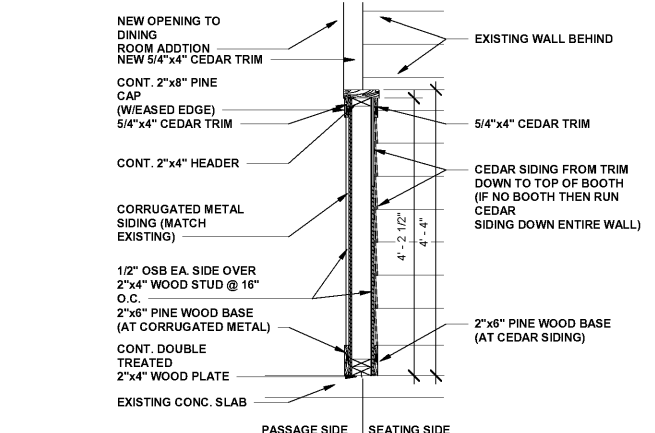
2 ROOF INSULATION DETAIL
3" = 1'-0"



3 ROOF FLASHING DETAIL
3" = 1'-0"



4 ROOF FASCIA DETAIL
3" = 1'-0"



5 PARTITION/DIVIDER WALL DETAIL
3/4" = 1'-0"

QUALITY CONTROL CHECK: ADA
 EGRESS
 SNOW GUARDS
 SLAB THICKNESS

Order Plans

WWW.LDILINE.COM