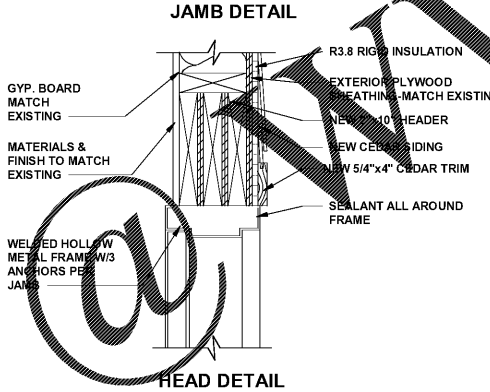
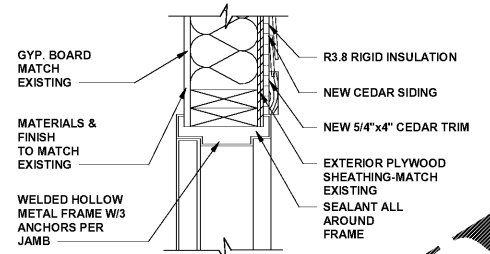


- HOLLOW METAL DOOR FRAMES TO BE 16 GA. WELDED
- ALL WOOD DOORS TO BE SEALED WITH TWO COATS EACH SIDE, TOP BOTTOM AND EDGES
- WOOD ENTRY DOORS TO BE HUNG USING 1 PAIR HD BALL BEARINGS
- PROVIDE DOOR STOPS OR WALL BUMPERS AT ALL DOORS
- CENTERLINE OF ALL STRIKES AND KNOBS TO BE 40 5/16" FROM FINISH FLOOR
- CENTERLINE OF PUSH/PULLS TO BE 45" FROM FINISH FLOOR
- ALL DOOR OPENINGS TO HAVE FLASHING & SEALANT WHERE REQUIRED PER SECTION 1405.3
- EXISTING HARDWARE SHALL BE USED.



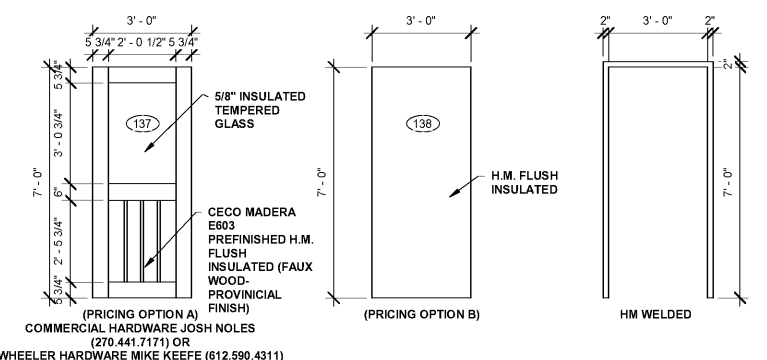
DOOR DETAILS
 1" = 1'-0"

- ① NOT USED.
- ② NOT USED.
- ③ NEW HEADERS FOR OPENINGS. SEE STRUCTURAL DRAWINGS.
- ④ NOT USED.
- ⑤ EXISTING HEADER TO REMAIN.
- ⑥ NEW EXPOSED CEILING JOISTS @ 24" O.C. (V.I.F. MATCH EXISTING), SEE STRUCTURAL
- ⑦ NOT USED.
- ⑧ EXISTING; NO WORK IN THIS AREA.
- ⑨ NOT USED.
- ⑩ NOT USED.
- ⑪ NOT USED.
- ⑫ NEW REMOTE HEAD EGRESS FIXTURE. SEE ELECTRICAL.

③ REFLECTED CEILING NOTES
 1" = 1'-0"

HARDWARE SET SCHEDULE				
SET #	NAME	DOOR PART	PRODUCT NUMBER/MFG.	QTY. NEEDED
SET #2	HINGES		HAGER #BB1191 4.5X4.5-NRP X US10B	3
SET #2	RIM CYLINDER HOUSING		SCHLAGE #20-057- ICX X US10B	1
SET #2	CLOSER		LCN #4040XP Rwl/PA TBWMS x 695	1
SET #2	WEATHER STRIPPING		HAGER #891S V x 36" x 84" X DBA	1
SET #2	SWEEPS		HAGER #750S N x 36" x DBA	1
SET #2	THRESHOLD		HAGER #413S N x 36" X DBA	1
SET #2	EXIT DEVICE		VON DUPRIN 2670 GUARD-X 325TB 36" x 313	1
SET #12	HINGES		HAGER 780-157HD-THRU BOLTSx83" - CLEAR	3
SET #12	KICKPLATES		190S 8x3.4x.05" x US10B	2
SET #12	PRIVACY LOCKSET		SCHLAGE ND40S RHO 613	1
SET #12	CLOSER		LCN 4041 REG TBWMS x DKBZ	1

DOOR AND FRAME SCHEDULE							
Mark	FRAME MATERIAL	HEIGHT	WIDTH	DOOR TYPE	GLAZING	COMMENTS	HARDWARE SET
137	H.M.	7'-0"	3'-0"	EGRESS	Yes	NEW DINING ADDITION	SET #2
138	H.M.	7'-0"	3'-0"	INTERIOR	No	NEW UNI-SEX RESTROOM	SET #12



④ DOOR LEGEND
 3/8" = 1'-0"

PROVIDE OWNER W/ PRICING ON STANDARD H.M. OR H.M. EMBOSSED TO MATCH EXISTING

PERMIT SET	
DRAWN BY	LAJ
CHECKED BY	KRB
DATE	6/22/2017
REV. DATE	DESCRIPTION

The Construction Documents shall consist of all drawings, specifications, surveys, soils reports, addenda and other information. It is the responsibility of the contractor to be taken separately or "stand alone" from the remainder of the documents. The contractor shall be responsible to determine their particular scope of work. Any documents to be submitted to the Architect for review shall be interpreted at the sole discretion of the Architect.

QUALITY CONTROL CHECK: ADA EGRESS SNOW GUARDS SLAB THICKNESS

Order Plans

WWW.LDILine.com