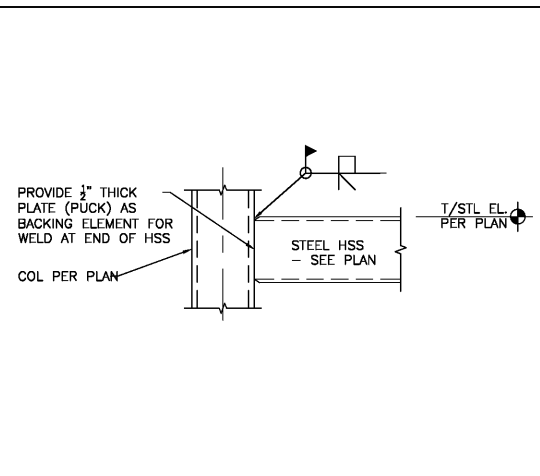
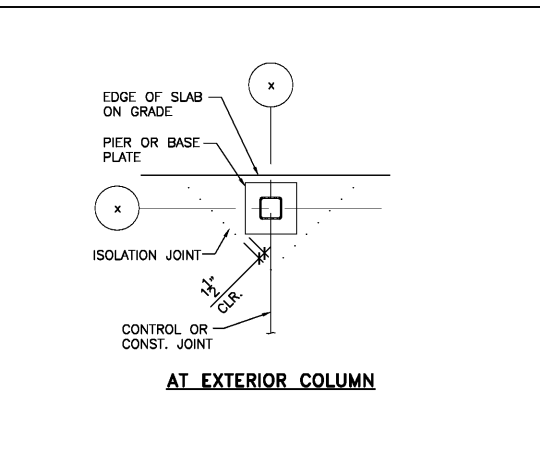


NOT USED 3/4"=1'-0" E

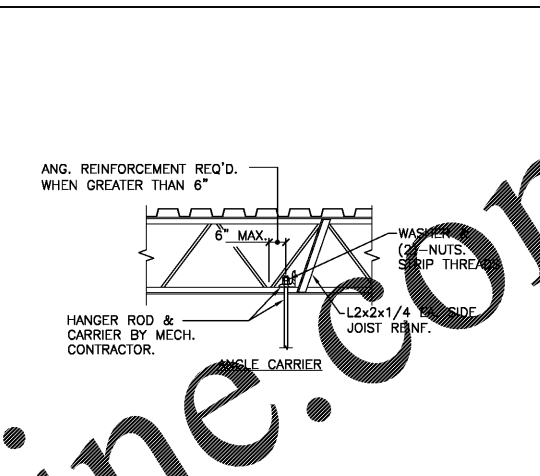
TYP. RTU CURB 3/4"=1'-0" D



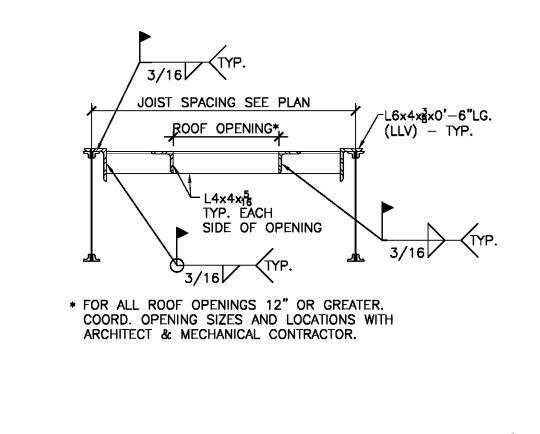
TYP. HSS TO COLUMN CONN. 3/4"=1'-0" C



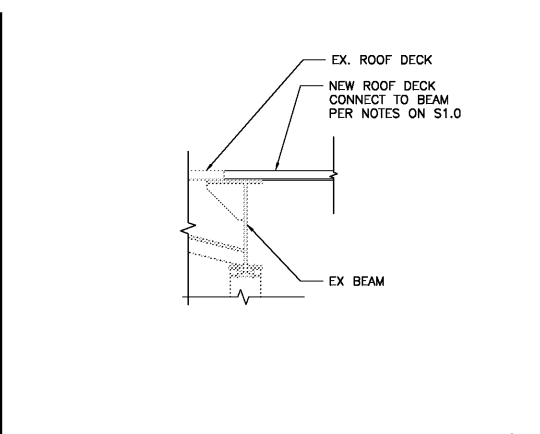
TYP. ISOLATION JOINT DETAIL 3/4"=1'-0" B



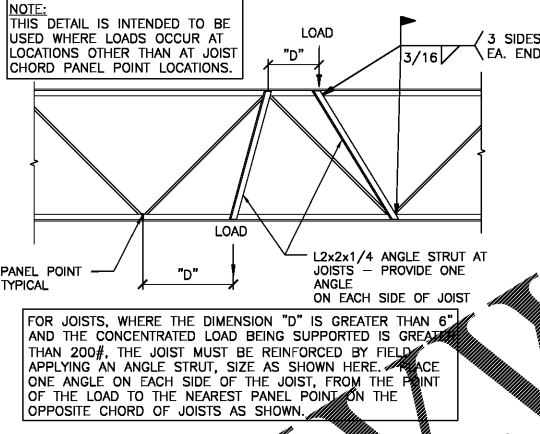
TYP. HANGER DETAIL 3/4"=1'-0" A



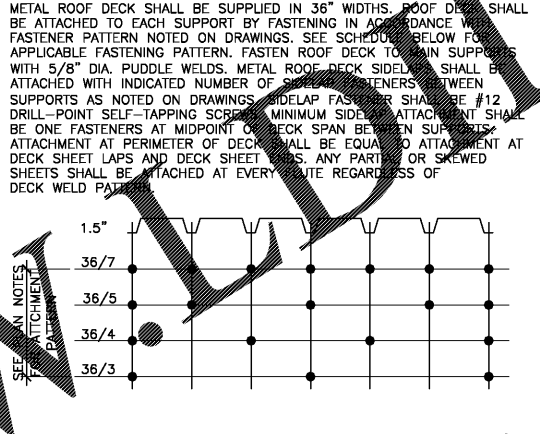
TYP. ROOF PENETRATION 3/4"=1'-0" K



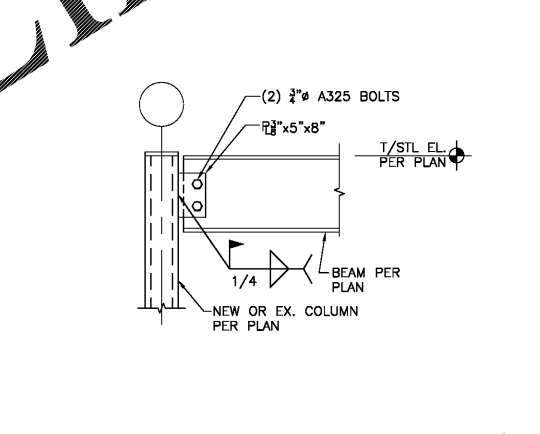
SECTION 3/4"=1'-0" J



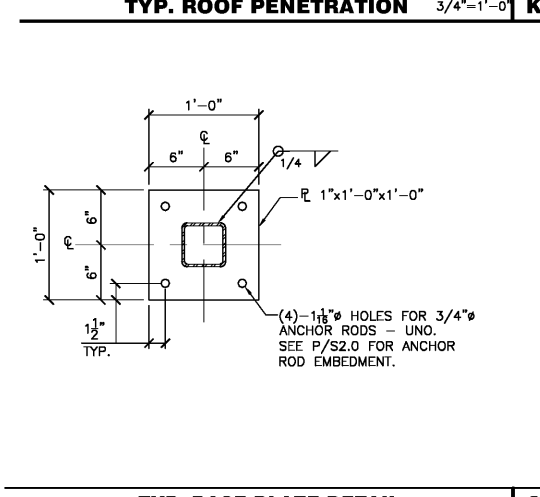
TYP. JOIST REINFORCEMENT 3/4"=1'-0" H



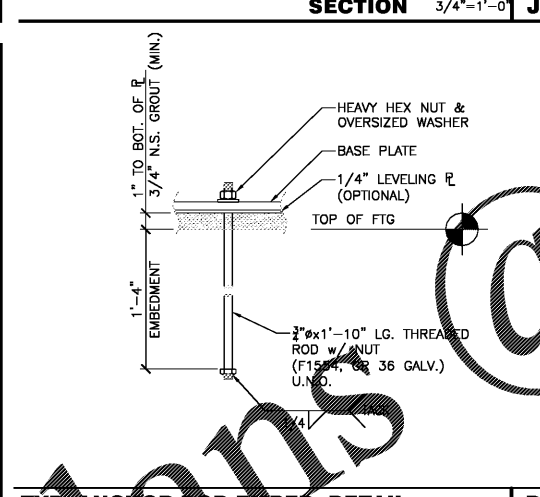
TYP. ROOF DECK ATTACHMENT 3/4"=1'-0" G



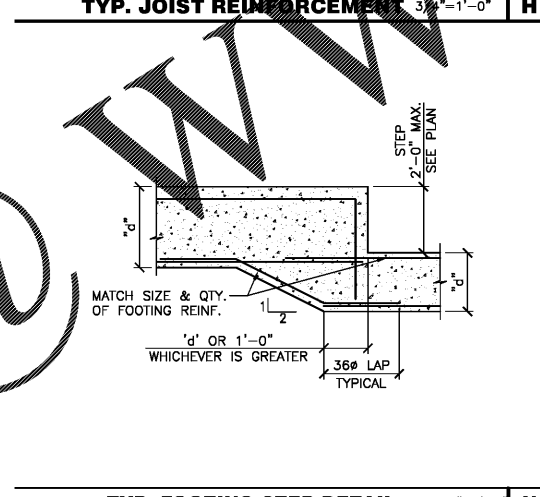
TYP. BEAM TO COL. CONN. 3/4"=1'-0" F



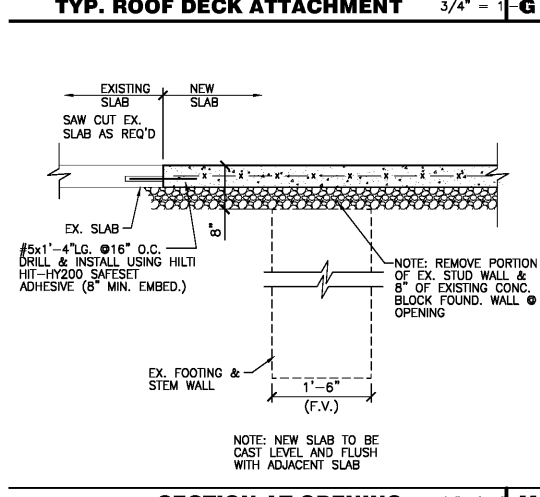
TYP. BASE PLATE DETAIL 3/4"=1'-0" Q



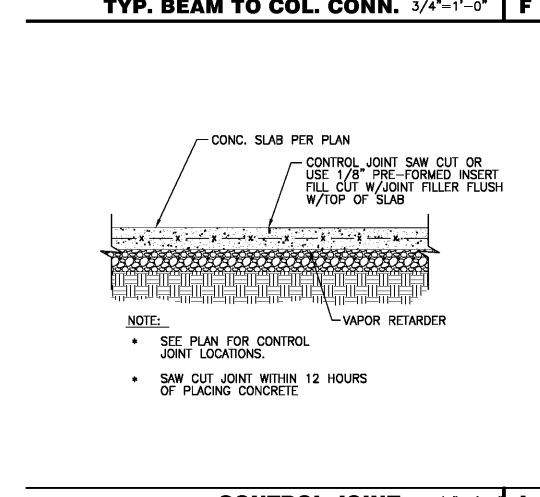
TYP. ANCHOR ROD EMBED. DETAIL 3/4"=1'-0" P



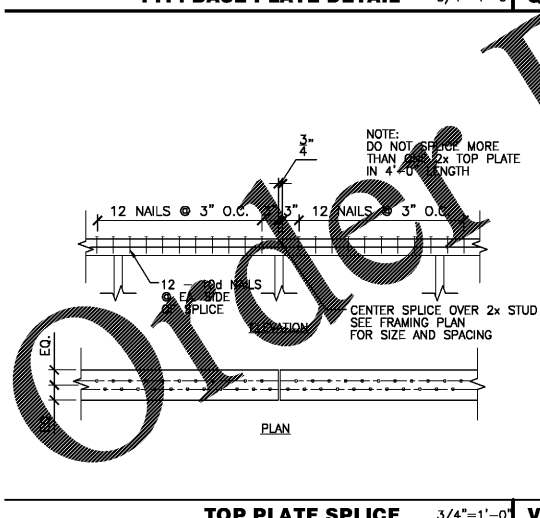
TYP. FOOTING STEP DETAIL 3/4"=1'-0" N



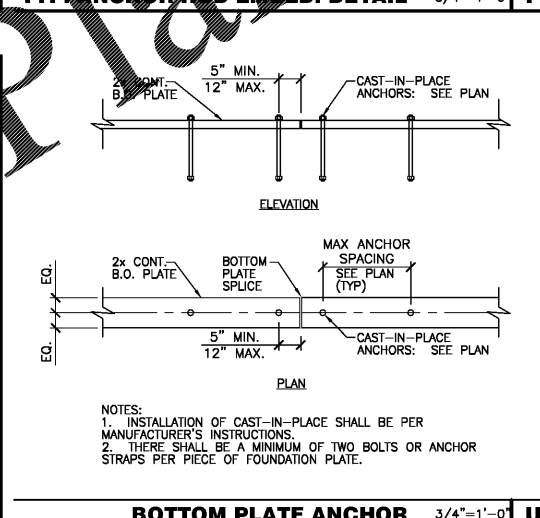
SECTION AT OPENING 3/4"=1'-0" M



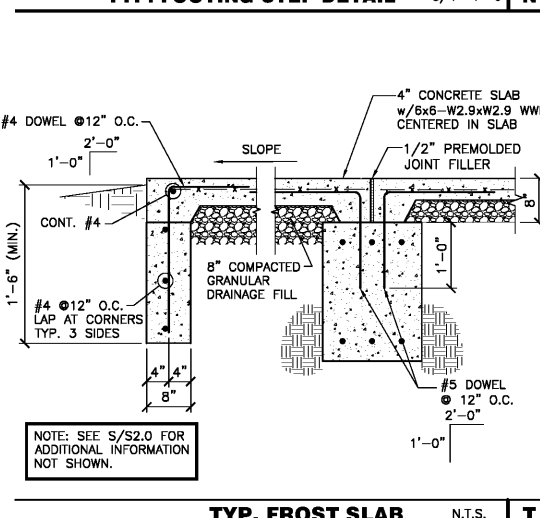
CONTROL JOINT 3/4"=1'-0" L



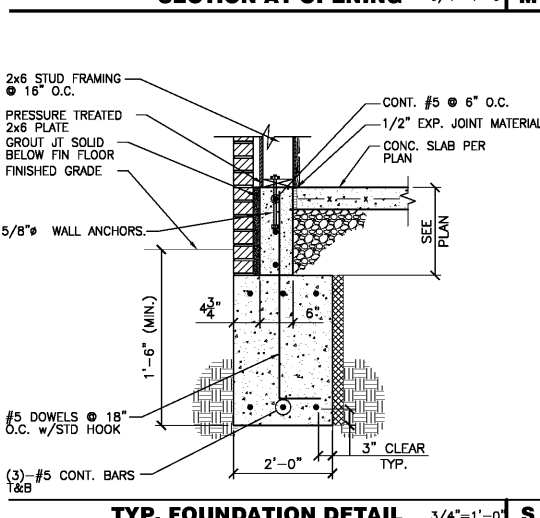
TOP PLATE SPLICE 3/4"=1'-0" V



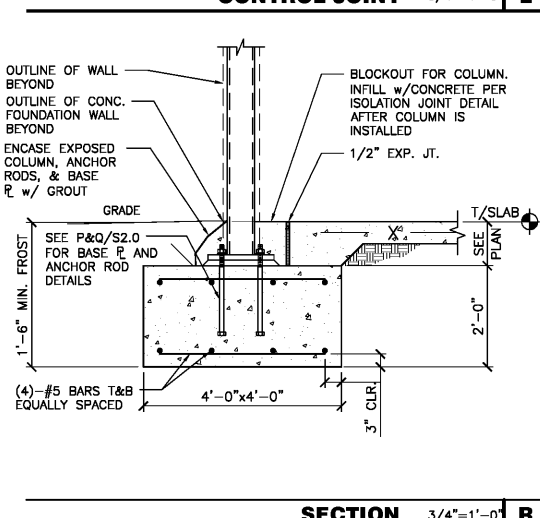
BOTTOM PLATE ANCHOR 3/4"=1'-0" U



TYP. FROST SLAB N.T.S. T



TYP. FOUNDATION DETAIL 3/4"=1'-0" S



SECTION 3/4"=1'-0" R

Project No. 17-052
CPO 208 No. 20171215-09

GROUP, INC.
133 South Main Street, Suite 2111
Arling, VA 22201
703.572.2100 Fax: 703.572.2102

COMMONWEALTH OF VIRGINIA
JOHN N. KARAK
Lic. No. 049539
PROFESSIONAL ENGINEER

08/16/17

TEXAS Road Base
1570 W. KOGER CENTER DRIVE
RICHMOND, VA 23235

DRAWN BY:	DMH
CHECKED BY:	JNK
DATE:	05/01/17
REV. DATE	DESCRIPTION
1	7/28/17 OWNER CHANGES

The Construction Documents shall consist of all drawings, specifications, surveys, reports, reports, addenda and other information as a whole. Note of this information or drawings shall be made by the contractor. All subcontractors shall be responsible for obtaining information and brought to the attention of the contractor. Any information brought to the attention of the contractor shall be interpreted at the sole discretion of the Architect.

SHEET TITLE
STRUCTURAL DETAILS
S2.0