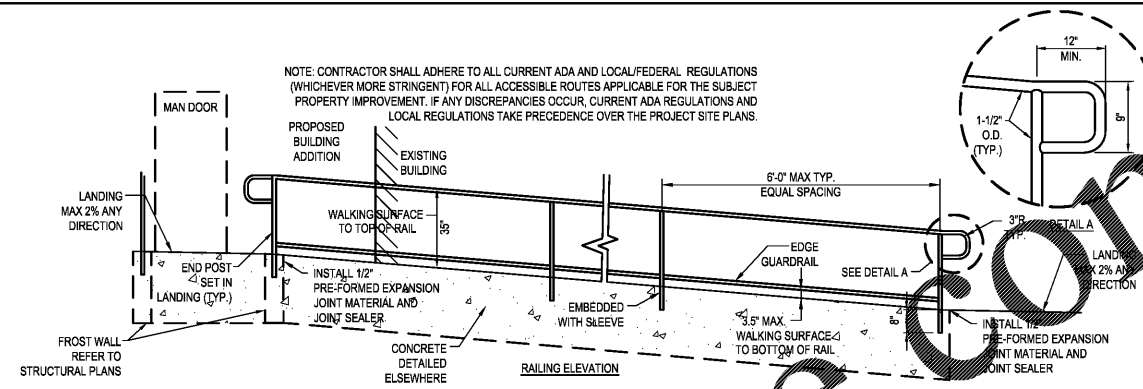
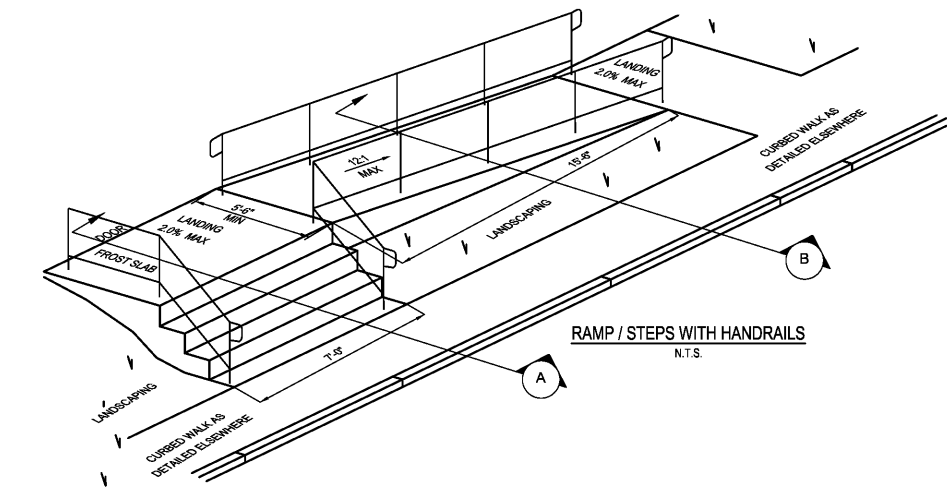


DRAWN BY:	NOG	
CHECKED BY:	RJP	
DATE:	05/01/17	
REV.	DATE	DESCRIPTION

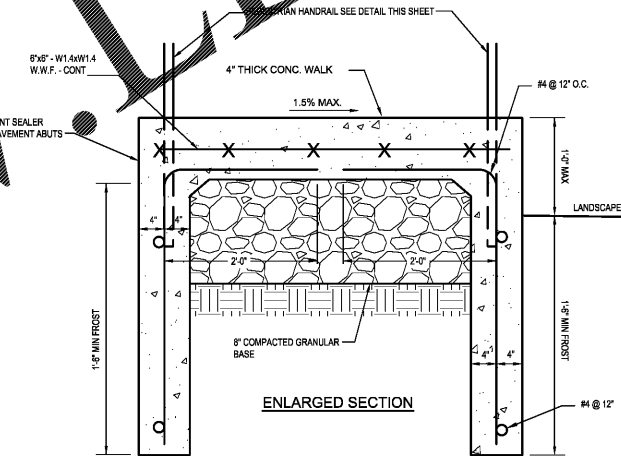
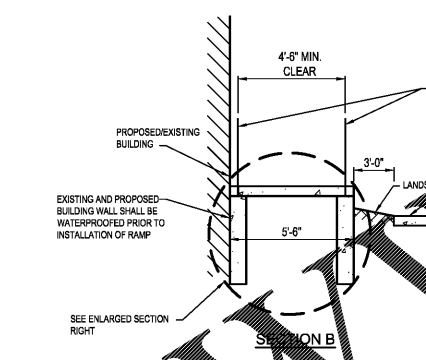
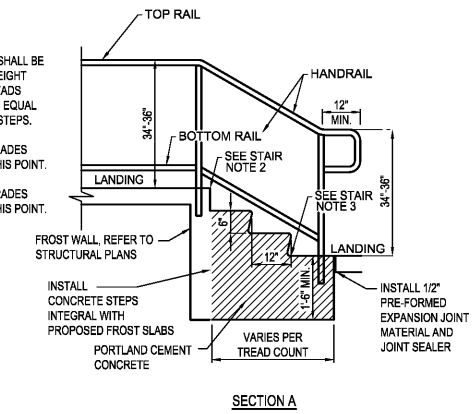
The Construction Documents shall consist of all drawings, specifications, surveys, site reports, records and other information as a whole. None of this information or drawings shall be taken out of context or used to support any claim. Any discrepancies or conflicting information not brought to the attention of the Architect shall be interpreted at the sole discretion of the Architect.



- RAILING NOTES:**
1. PROVIDE 1 1/2" OUTSIDE DIAMETER SCHEDULE 40 PIPE RAIL FRAMES, WELD ALL JOINTS AND GRIND SMOOTH. PRIME & PAINT PER OWNER SPECIFICATIONS.
 2. PROVIDE "SKATE STOPPERS" OR APPROVED EQUAL ANTI-SKATE BLOCKS INSTALLED ALONG THE BOTTOM EDGE GUARDRAIL AT 6" ON CENTER PER MANUFACTURER'S RECOMMENDATIONS. NOT TO BE USED ON THE GRIPPING SURFACE OF THE HANDRAIL.
 3. RAILINGS SHALL RESIST A CONCENTRATED LOAD OF 250# IN ANY DIRECTION AND 1/2" OF LOAD IN ANY DIRECTION. (NOT CONCURRENTLY)
 4. SET SUPPORT POSTS 42" DEEP IN CONCRETE FOOTINGS, TYP.
 5. ALL UNPAINTED METAL SHALL RECEIVE 2 COATS OF 100% D SEMI-GLOSS PAINT (OWNER SPECIFIED) OVER SHOP-APPLIED PRIMER.
 6. ALL SUPPORT POSTS SHALL BE CENTER MOUNTED, SINCE POSTS WILL BE RAILING SUPPORTS EXCEPT AT VERTICAL CURVES. SUPPORT POSTS SHALL BE PROVIDED FOR EACH RAIL.
 7. HANDRAILS SHALL BE PROVIDED ON BOTH SIDES OF WALKWAYS REQUIRING HANDRAILS, WITH A MINIMUM OF 36" CLEAR SPACE ALONG THE ENTIRE LENGTH OF THE WALKWAY. MAXIMUM VERTICAL RISE BETWEEN LANINGS SHALL BE 30 INCHES.



- STAIR NOTES:**
1. ALL RISERS SHALL BE OF EQUAL HEIGHT AND ALL TREADS SHALL BE OF EQUAL DEPTHS ON STEPS.
 2. 'TS' SPOT GRADES REFER TO THIS POINT.
 3. 'BS' SPOT GRADES REFER TO THIS POINT.



Order Plans @