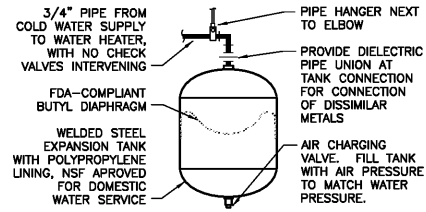


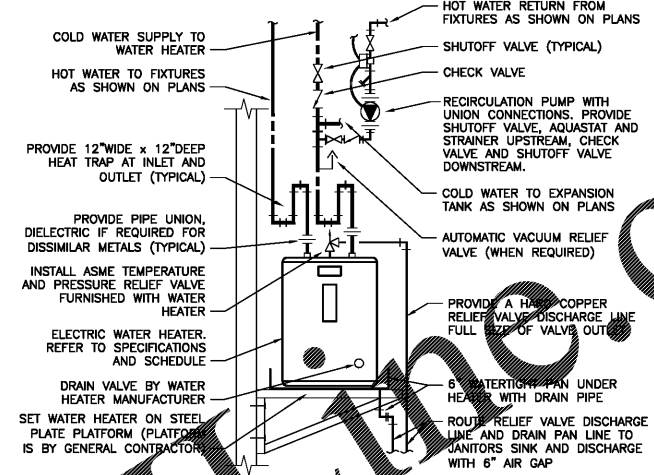
REFER TO SPECIFICATIONS FOR INSULATION TYPES, INSULATION THICKNESSES, HANGER TYPES, HANGER ROD CONNECTIONS TO STRUCTURE AND HANGER SPACING.

INSULATED PIPE HANGER DETAIL S25



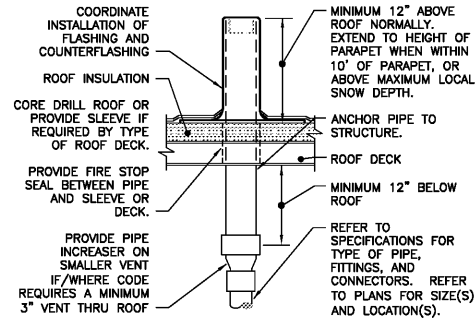
PIPING ARRANGEMENT SHOWN IS SCHEMATIC. ADJUST TO SUIT FIELD CONDITIONS. FOLLOW MANUFACTURER'S INSTRUCTIONS FOR INSTALLATION PROCEDURE. VERIFY PROPER OPERATION WHEN INSTALLED. PROVIDE SEISMIC STRAP OR BRACING WHEN REQUIRED BY LOCAL AUTHORITIES.

SMALL EXPANSION TANK S13



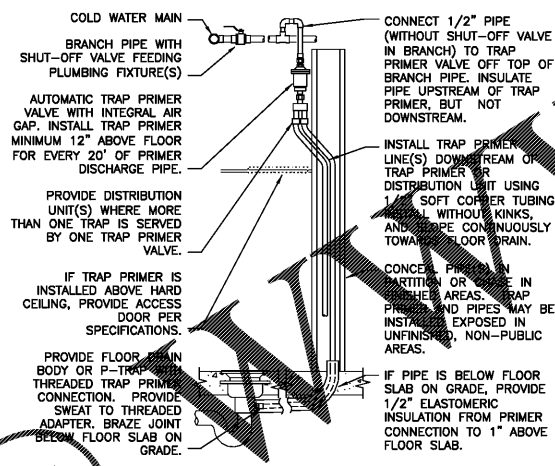
REFER TO SPECIFICATIONS, SCHEDULES AND NOTES FOR MORE INFORMATION. PIPING ARRANGEMENT SHOWN IS SCHEMATIC. VERIFY ALL CONNECTION SIZES AND LOCATIONS PER MANUFACTURER'S REQUIREMENTS. ADJUST TO SUIT FIELD CONDITIONS. REFER TO FLOOR PLANS FOR PIPE SIZES. PROVIDE SEISMIC STRAP OR BRACING IF/AS REQUIRED BY LOCAL AUTHORITIES. POWER WIRING AND DISCONNECT SWITCH ARE SPECIFIED BY ELECTRICAL.

ELECTRIC WATER HEATER OVERHEAD S01



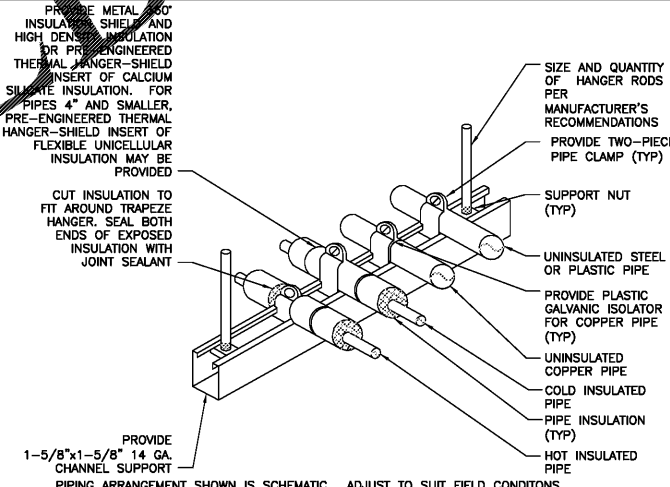
LOCATE VTR MINIMUM THREE FEET FROM PROPERTY LINE, TEN FEET HORIZONTAL OR THREE FEET VERTICAL ABOVE ANY BUILDING OPENING OR FRESH AIR INTAKE, TWENTY FIVE FEET FROM ANY OPENING OR FRESH AIR INTAKE IN MEDICAL FACILITIES AND ONE FOOT FROM ANY VERTICAL SURFACE. REFER TO LOCAL CODES FOR OTHER VENT TERMINATION REQUIREMENTS. LOCATE VTR MINIMUM 18\"/>

VENT THRU ROOF (\"/>



PROVIDE TRAP PRIMERS WHERE SHOWN ON FLOOR PLANS, AND WHERE REQUIRED BY LOCAL AUTHORITIES. PIPING ARRANGEMENT SHOWN IS SCHEMATIC. ADJUST TO SUIT FIELD CONDITIONS. REFER TO SPECIFICATIONS AND PLUMBING FIXTURE SCHEDULE FOR MORE INFORMATION. INSTALL TRAP PRIMER VALVE AND DISTRIBUTION UNIT PER MANUFACTURER'S RECOMMENDATIONS.

TRAP PRIMER OVERHEAD J13



PIPING ARRANGEMENT SHOWN IS SCHEMATIC. ADJUST TO SUIT FIELD CONDITIONS. REFER TO SPECIFICATIONS FOR MORE INFORMATION. PIPE AND CONDUIT OF ALL TRADES MAY BE COMBINED ON THE SAME SUPPORT CHANNEL. COORDINATE SUPPORT CHANNEL LENGTH WITH PIPING AND CONDUIT TO BE SUPPORTED. SUPPORT CHANNEL SPACING SHALL BE DETERMINED BY SMALLEST PIPE TO BE SUPPORTED. CHANNEL SUPPORT MAY BE USED AS A WALL BRACKET, ATTACH TO WALL WITH ANCHOR BOLTS PER SPECIFICATIONS. FOR HORIZONTAL INSULATED PIPING, ATTACH CLAMPS AS INDICATED ABOVE, FOR VERTICAL INSULATED PIPING, ATTACH CLAMPS TO THE PIPE AND SEAL INSULATION AT BOTH CLAMP ENDS.

TRAPEZE PIPE HANGER J01

Order Plans

Sprint

#1408 DURHAM

2707 GUESS RD, SUITE 110
DURHAM, NC 27705

PROJECT NUMBER: SPR1408
 DESIGNED BY: CHAD GLEASON
 CONCEPTED BY: DON RETHMAN
 DATE: SEPTEMBER 26, 2017

PLUMBING DETAILS

P-2