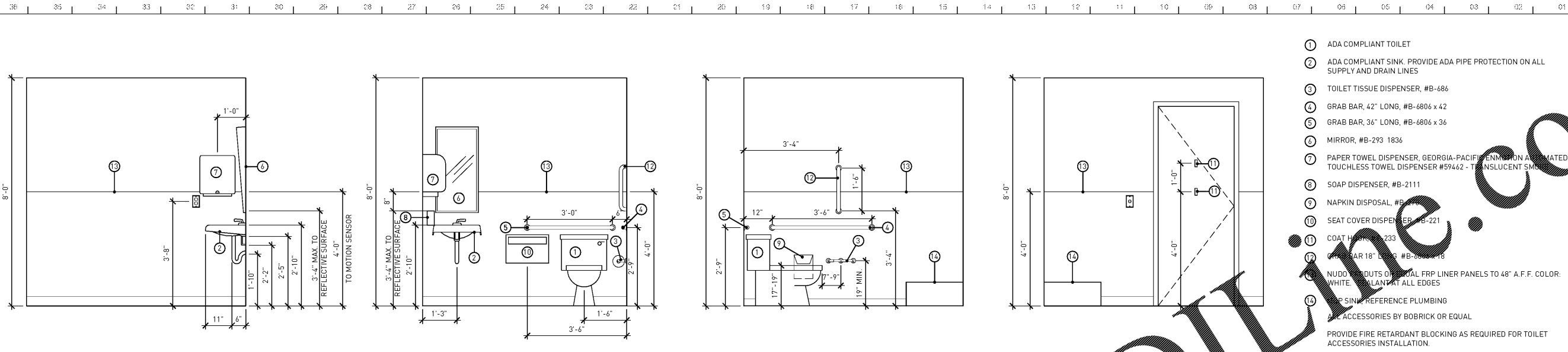


- ① ADA COMPLIANT TOILET
 - ② ADA COMPLIANT SINK, PROVIDE ADA PIPE PROTECTION ON ALL SUPPLY AND DRAIN LINES
 - ③ TOILET TISSUE DISPENSER, #B-686
 - ④ GRAB BAR, 42" LONG, #B-6806 x 42
 - ⑤ GRAB BAR, 36" LONG, #B-6806 x 36
 - ⑥ MIRROR, #B-293 1836
 - ⑦ PAPER TOWEL DISPENSER, GEORGIA-PACIFIC ENMOTION AUTOMATED TOUCHLESS TOWEL DISPENSER #59462 - TRANSLUCENT SMOKE
 - ⑧ SOAP DISPENSER, #B-2111
 - ⑨ NAPKIN DISPOSAL, #B-221
 - ⑩ SEAT COVER DISPENSER, #B-221
 - ⑪ COAT HOOK, #B-233
 - ⑫ GRAB BAR 18" LONG, #B-6806 x 18
 - ⑬ NUDDO PRODUCTS OF SPECIAL FRP LINER PANELS TO 48" A.F.F. COLOR: WHITE. MOUNT AT ALL EDGES
 - ⑭ PLUMBING REFERENCE PLUMBING
- ALL ACCESSORIES BY BOBRICK OR EQUAL
 PROVIDE FIRE RETARDANT BLOCKING AS REQUIRED FOR TOILET ACCESSORIES INSTALLATION.

RESTROOM ELEVATIONS S01



design-form
architects inc.
AA0002492

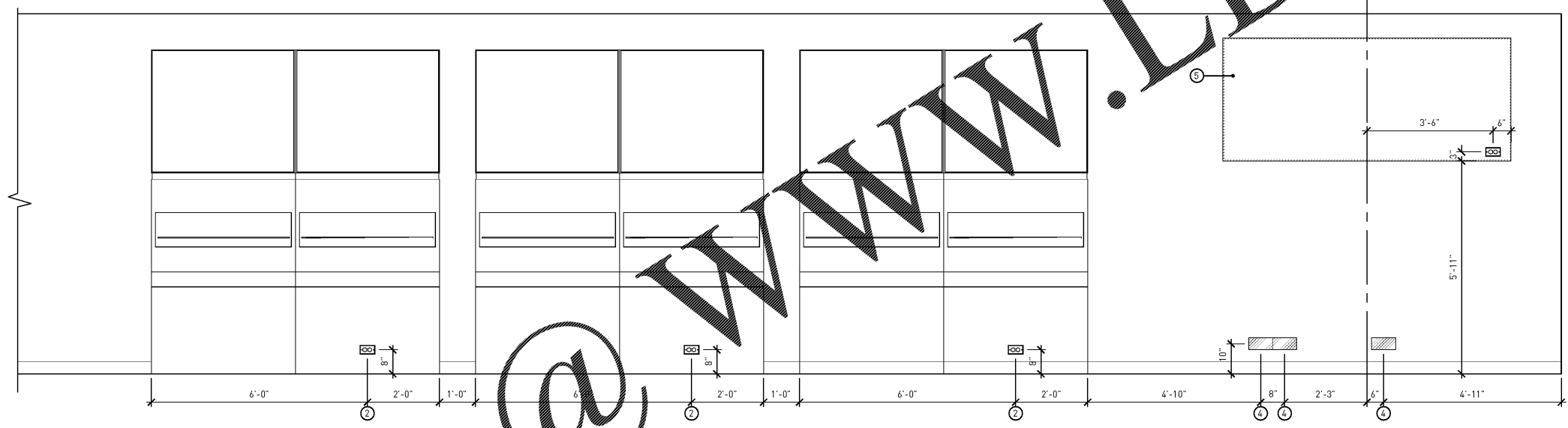
700 W. Pine Rose Way, Suite 460 Cincinnati, OH 45203 Telephone: (513) 421-2210
 Donald J. Reihman, Architect In Charge AR 0017303

Sprint

#1287 PINELLAS PARK FL
 5001 PARK BLVD
 PINELLAS PARK, FL 33781

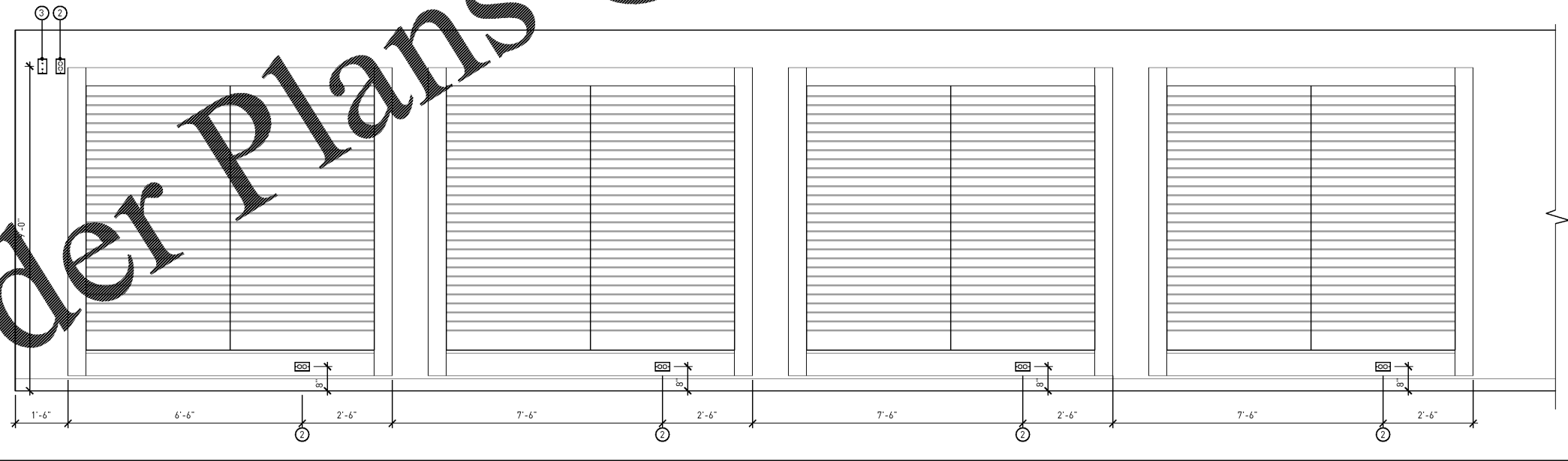
- ① POWER OUTLET FOR FIXTURE. COORDINATE FINAL REQUIREMENTS WITH ELECTRICAL
- ② FLATWIRE TRANSITION BOX
- ③ 96 X 41 LIGHT BOX BY FIXTURE VENDOR

DEVICE WALL ELEVATION J01



- ① POWER OUTLET FOR FIXTURE. COORDINATE FINAL REQUIREMENTS WITH ELECTRICAL
- ② DATA OUTLET COORDINATE FINAL REQUIREMENTS WITH ELECTRICAL

FIXTURE ELEVATION A01



SHEET TITLE
INTERIOR ELEVATIONS

PROJECT NUMBER
 SPR1287

SHEET AUTHOR
 CHAD OLESON

DATE
 SEPTEMBER 28, 2017

SHEET
A22

Order Plans @

WWW.LDILINE.COM