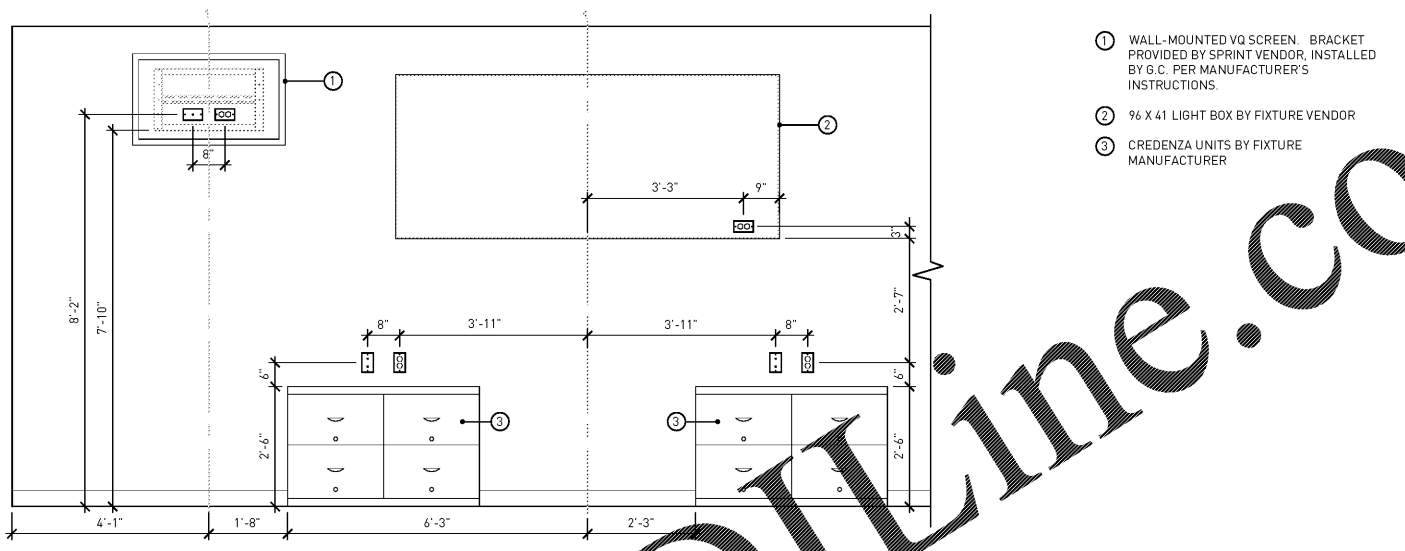


- 1 3 5/8", 18 GA. METAL STUD FRAMING BRACED TO STRUCTURE AS REQUIRED
- 2 3/4" FIRE RETARDANT PLYWOOD
- 3 WINDOW DISPLAY FIXTURE
- 4 FASTENERS AND PLATE BY FIXTURE MANUFACTURER
- 5 JUNCTION BOX FOR FIXTURE POWER
- 6 CEILING, SEE PLAN

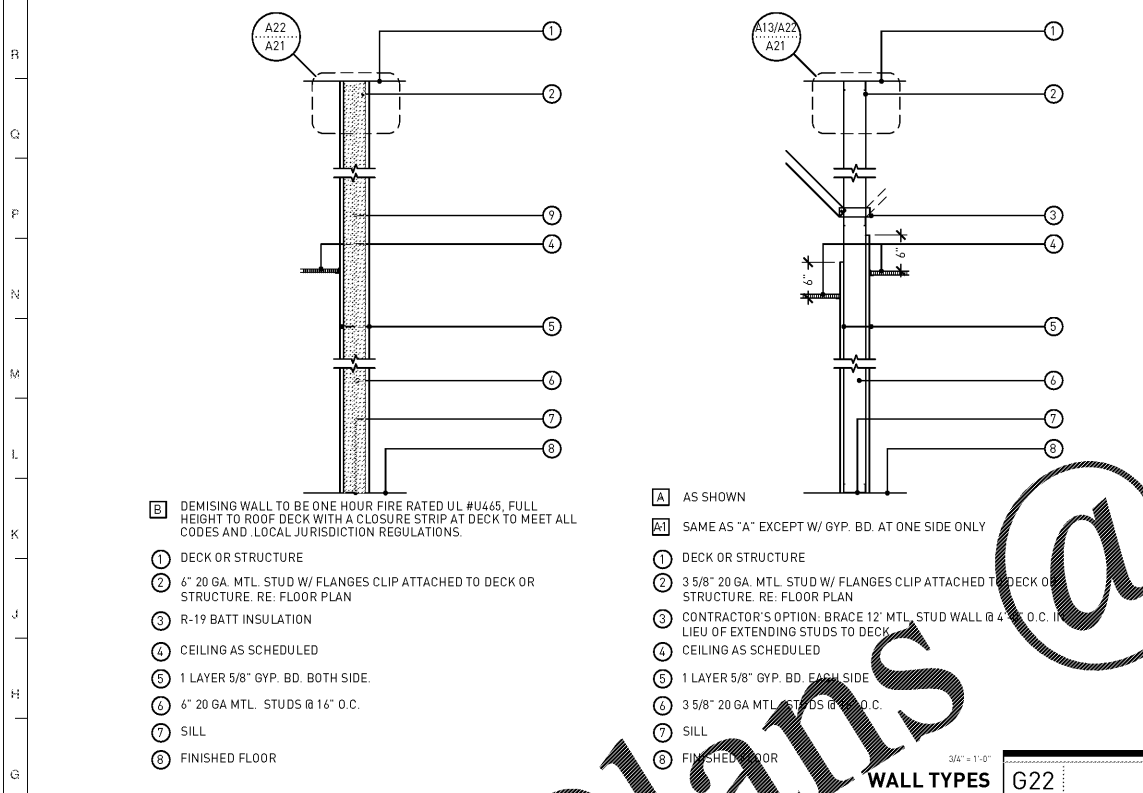
COORDINATE THIS DETAIL WITH ROLLING GATE DETAIL AS REQUIRED

ABOVE CEILING ATTACHMENT DETAIL S22



- 1 WALL-MOUNTED VQ SCREEN. BRACKET PROVIDED BY SPRINT VENDOR, INSTALLED BY G.C. PER MANUFACTURER'S INSTRUCTIONS.
- 2 96 X 41 LIGHT BOX BY FIXTURE VENDOR
- 3 CREDEENZA UNITS BY FIXTURE MANUFACTURER

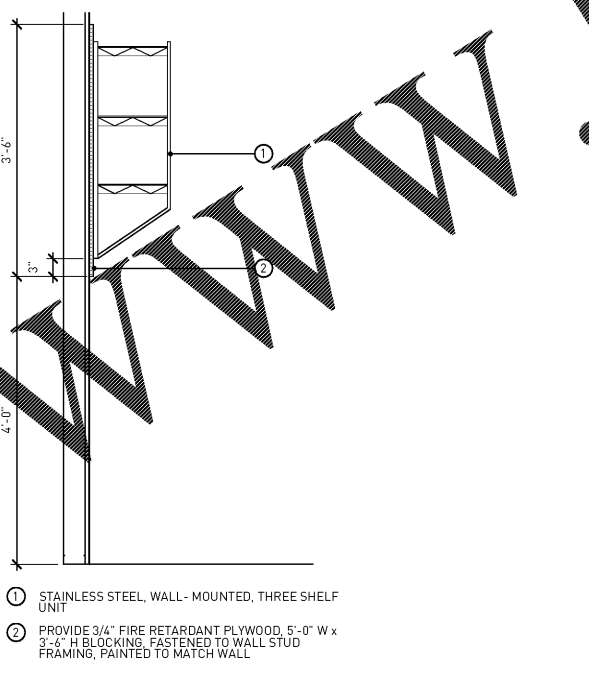
LIGHT BOX AND VQ MONITOR WALL MOUNT ELEVATION S01



- B DEMISING WALL TO BE ONE HOUR FIRE RATED UL #0465, FULL HEIGHT TO ROOF DECK WITH A CLOSURE STRIP AT DECK TO MEET ALL CODES AND LOCAL JURISDICTION REGULATIONS.
- 1 DECK OR STRUCTURE
- 2 6" 20 GA. MTL. STUD W/ FLANGES CLIP ATTACHED TO DECK OR STRUCTURE. RE: FLOOR PLAN
- 3 R-19 BATT INSULATION
- 4 CEILING AS SCHEDULED
- 5 1 LAYER 5/8" GYP. BD. BOTH SIDE.
- 6 6" 20 GA MTL. STUDS @ 16" O.C.
- 7 SILL
- 8 FINISHED FLOOR

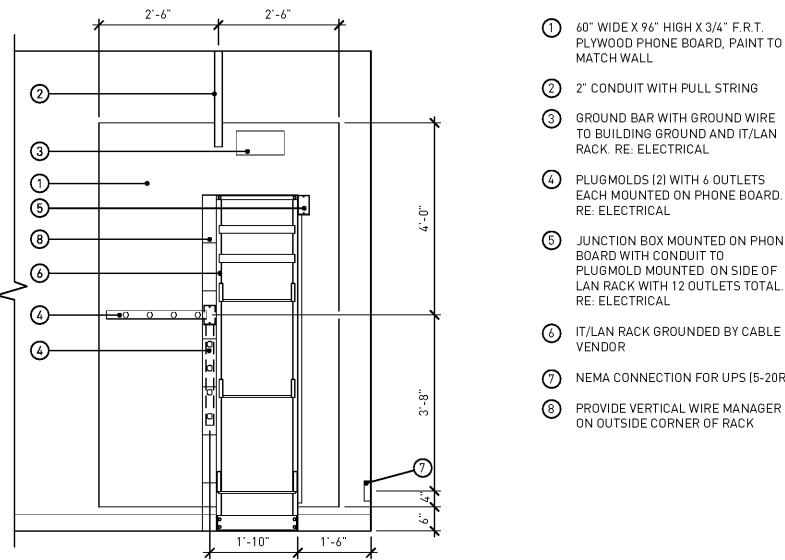
- A AS SHOWN
- A1 SAME AS "A" EXCEPT W/ GYP. BD. AT ONE SIDE ONLY
- 1 DECK OR STRUCTURE
- 2 3 5/8" 20 GA. MTL. STUD W/ FLANGES CLIP ATTACHED TO DECK OR STRUCTURE. RE: FLOOR PLAN
- 3 CONTRACTOR'S OPTION: BRACE 12" MTL. STUD WALL @ 4'-0" O.C. IN LIEU OF EXTENDING STUDS TO DECK
- 4 CEILING AS SCHEDULED
- 5 1 LAYER 5/8" GYP. BD. EACH SIDE
- 6 3 5/8" 20 GA MTL. STUDS @ 16" O.C.
- 7 SILL
- 8 FINISHED FLOOR

WALL TYPES G22



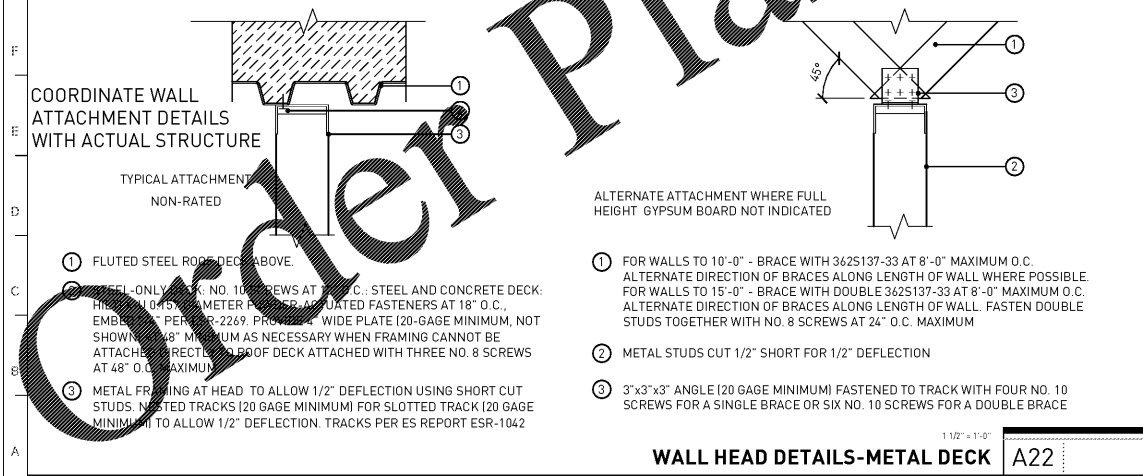
- 1 STAINLESS STEEL, WALL-MOUNTED, THREE SHELF UNIT
- 2 PROVIDE 3/4" FIRE RETARDANT PLYWOOD, 5'-0" W x 3'-6" H BLOCKING, FASTENED TO WALL STUD FRAMING, PAINTED TO MATCH WALL

SH-2 INSTALLATION DETAIL G13



- 1 60" WIDE X 96" HIGH X 3/4" F.R.T. PLYWOOD PHONE BOARD, PAINT TO MATCH WALL
- 2 2" CONDUIT WITH PULL STRING
- 3 GROUND BAR WITH GROUND WIRE TO BUILDING GROUND AND IT/LAN RACK. RE: ELECTRICAL
- 4 PLUGMOLDS (2) WITH 6 OUTLETS EACH MOUNTED ON PHONE BOARD. RE: ELECTRICAL
- 5 JUNCTION BOX MOUNTED ON PHONE BOARD WITH CONDUIT TO PLUGMOLD MOUNTED ON SIDE OF LAN RACK WITH 12 OUTLETS TOTAL. RE: ELECTRICAL
- 6 IT/LAN RACK GROUNDED BY CABLE VENDOR
- 7 NEMA CONNECTION FOR UPS (5-20R)
- 8 PROVIDE VERTICAL WIRE MANAGER ON OUTSIDE CORNER OF RACK

PHONE BOARD ELEVATION G01

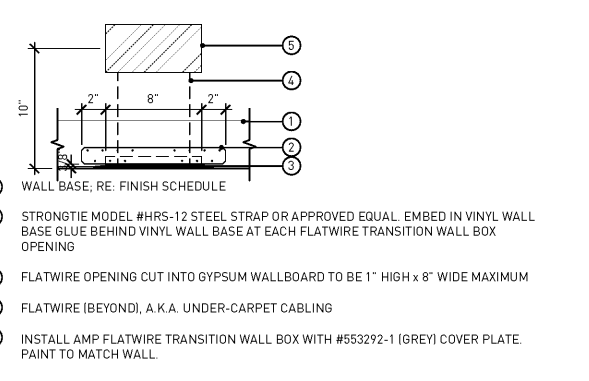


COORDINATE WALL ATTACHMENT DETAILS WITH ACTUAL STRUCTURE

- 1 FLUTED STEEL ROOF DECK ABOVE
- 2 METAL FRAMING AT HEAD TO ALLOW 1/2" DEFLECTION USING SHORT CUT STUDS. NESTED TRACKS (20 GAGE MINIMUM) FOR SLOTTED TRACK (20 GAGE MINIMUM) TO ALLOW 1/2" DEFLECTION. TRACKS PER ESR-1042

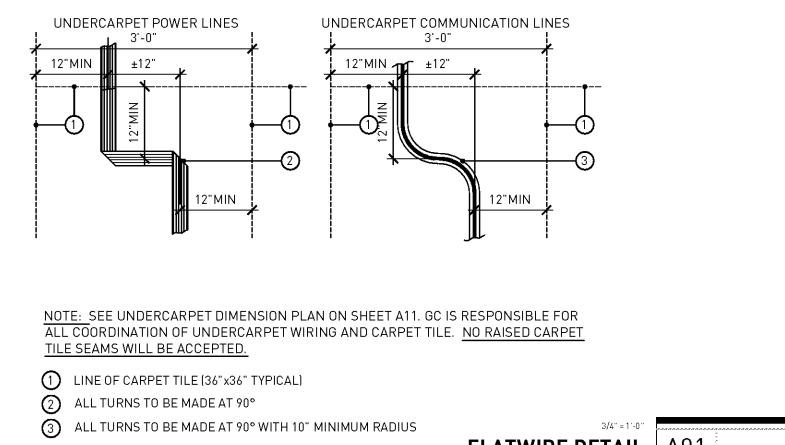
- ALTERNATE ATTACHMENT WHERE FULL HEIGHT GYPSUM BOARD NOT INDICATED
- 1 FOR WALLS TO 10'-0" - BRACE WITH 3625137-33 AT 8'-0" MAXIMUM O.C. ALTERNATE DIRECTION OF BRACES ALONG LENGTH OF WALL WHERE POSSIBLE. FOR WALLS TO 15'-0" - BRACE WITH DOUBLE 3625137-33 AT 8'-0" MAXIMUM O.C. ALTERNATE DIRECTION OF BRACES ALONG LENGTH OF WALL. FASTEN DOUBLE STUDS TOGETHER WITH NO. 8 SCREWS AT 24" O.C. MAXIMUM
- 2 METAL STUDS CUT 1/2" SHORT FOR 1/2" DEFLECTION
- 3 3"x3"x3" ANGLE (20 GAGE MINIMUM) FASTENED TO TRACK WITH FOUR NO. 10 SCREWS FOR A SINGLE BRACE OR SIX NO. 10 SCREWS FOR A DOUBLE BRACE

WALL HEAD DETAILS-METAL DECK A22



- 1 WALL BASE, RE: FINISH SCHEDULE
- 2 STRONGTIE MODEL #HRS-12 STEEL STRAP OR APPROVED EQUAL. EMBED IN VINYL WALL BASE GLUE BEHIND VINYL WALL BASE AT EACH FLATWIRE TRANSITION WALL BOX OPENING
- 3 FLATWIRE OPENING CUT INTO GYPSUM WALLBOARD TO BE 1" HIGH X 8" WIDE MAXIMUM
- 4 FLATWIRE (BEYOND), A.K.A. UNDER-CARPET CABLING
- 5 INSTALL AMP FLATWIRE TRANSITION WALL BOX WITH #553292-1 (GREY) COVER PLATE. PAINT TO MATCH WALL.

FLATWIRE TRANSITION DETAIL A13



NOTE: SEE UNDERCARPET DIMENSION PLAN ON SHEET A11. GC IS RESPONSIBLE FOR ALL COORDINATION OF UNDERCARPET WIRING AND CARPET TILE. NO RAISED CARPET TILE SEAMS WILL BE ACCEPTED.

- 1 LINE OF CARPET TILE (36"x36" TYPICAL)
- 2 ALL TURNS TO BE MADE AT 90°
- 3 ALL TURNS TO BE MADE AT 90° WITH 10" MINIMUM RADIUS

FLATWIRE DETAIL A01

**design-form**  
engineering  
Cert./License #200532

700 W. Pete Rose Way, Suite 460 Cincinnati, OH 45203 Telephone: (513) 421-2210  
Timothy L. Raberding, PE

**Sprint**

#1287 PINELLAS PARK FL  
5001 PARK BLVD  
PINELLAS PARK, FL 33781

MARK	DATE	DESCRIPTION

SHEET TITLE  
**DETAILS**

PROJECT NUMBER  
SPR1287

SHEET AUTHOR  
CHAD GLEASON

CHECKED BY  
DONNIE WIRMAN

DATE  
SEPTEMBER 28, 2017

SHEET:  
**A21**