

WWW.DILine.com

1/4" = 1'-0"
FLOOR PLAN L01

	DOOR DATA				FRAME DATA (RE: F17/A11)					HARDWARE (RE: A24/A11)		
	SIZE	MATERIAL	TYPE	FINISH	MATERIAL	TYPE	JAMB	HEAD	FINISH	LABEL	SET NO.	KEY SIDE
101	6'-0" X 7'-0"	EXISTING	GLASS	ANO	EXISTING	-	-	-	EXIST.	-	1	EXTERIOR
102	3'-0" X 7'-0"	WD	SC	P-4	HM	-	J1	H1	P-4	-	3	103
104	3'-0" X 7'-0"	WD	SC	P-4	HM	-	J1	H1	P-4	-	2	104

NOTES:
 1. VERIFY THAT EXISTING DOORS ARE IN GOOD WORKING CONDITION AND MATCH THE LISTED REQUIREMENTS.
 2. LISTED HARDWARE OR APPROVED EQUAL TO BE USED ONLY.
 3. EXIT DOORS SHALL BE OPERABLE FROM THE INSIDE WITHOUT THE USE OF A KEYS OR SPECIAL KNOWLEDGE OR EFFORT.
 4. ALL EXTERIOR DOORS SHALL BE PROVIDED WITH WEATHER STRIPPING AT HEAD, JAMBS, AND SILLS.
 5. ALL DOORS WITH THRESHOLD SHALL BE ADA COMPLIANT WITH ADA COMPLIANT THRESHOLDS.
 6. INTERIOR DOORS TO BE PRIMED AND PAINTED.
 7. PROVIDE DOOR SILENCERS (MINIMUM THREE PER DOOR) FOR ALL NEW DOORS

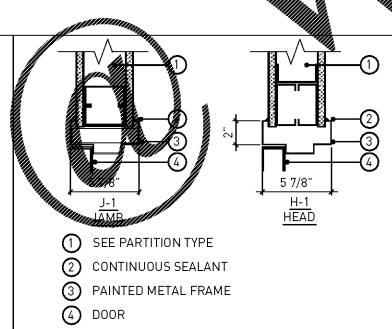
DOOR SCHEDULE E24

SET #1:	ENTRY DOORS	FINISHING TO REMAIN
1	LOCKSET	IN KEY

SET #2:	TOILET ROOM DOOR		
1	PAIR BUTTS	HAGER 1279BB	US26D
1	PRIVACY LOCKSET	SCHLAGE 405-A	US26D
1	DOOR STOP	HAGER 240F	
1	KICK PLATE	IVES 8400-12"x34"	PA28

SET #3:	OFFICE DOOR		
1	PAIR BUTTS	HAGER 1279BB	US26D
1	LOCK	SIMPLEX 5021	SATIN CHROME
1	CLOSE	NORTON 8400	US26D COVER
1	DOOR STOP	IVES 240F	
1	KICK PLATE	IVES 8400-12"x34"	PA28

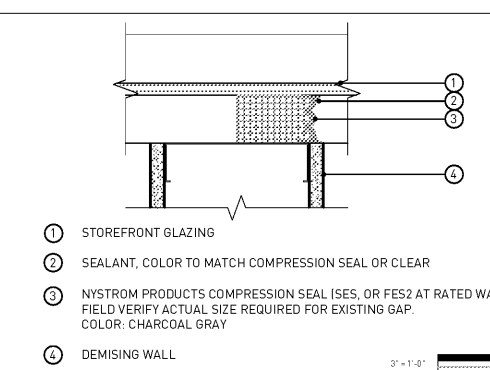
DOOR HARDWARE SCHEDULE A24



DOOR DETAILS F17

- Ⓜ FLUSH WALL MOUNTED JUNCTION BOX FOR DATA/VOICE - RE: ELEC.
- Ⓜ FLOOR MOUNTED DATA/VOICE BOX - RE: ELEC.
- Ⓜ FLOOR MOUNTED ELECTRICAL OUTLET OR FLATWIRE FLOOR POWER TERMINATION BOX - RE: ELEC.
- Ⓜ FLUSH WALL MOUNTED DUPLEX ELECTRICAL OUTLET - RE: ELEC.
- Ⓜ FLUSH WALL MOUNTED SWITCH DUPLEX ELECTRICAL OUTLET - RE: ELEC.
- Ⓜ FLUSH WALL MOUNTED GFI DUPLEX ELECTRICAL OUTLET - RE: ELEC.
- Ⓜ FLUSH WALL MOUNTED 4-PLEX ELECTRICAL OUTLET - RE: ELEC.
- Ⓜ FLUSH WALL MOUNTED FLAT WIRE TRANSITION BOX - RE: ELEC.
- Ⓜ ELECTRICAL PANEL - RE: ELEC.
- Ⓜ LIGHT SWITCH OR OCCUPANCY SENSOR AT 44" A.F.F. TO CENTER - RE: ELEC.
- Ⓜ THERMOSTAT-SEE MECH.

ELECTRICAL LEGEND A17



DEMISING WALL/STOREFRONT CLOSURE F09

- ALL OUTLETS INSTALLED AT 18" ABOVE FINISHED FLOOR, UNLESS NOTED OTHERWISE.
- DIMENSIONAL LOCATIONS OF DATA DROPS UNDER THE FLOOR FIXTURES ARE APPROXIMATE. ELECTRICIAN IS TO PROVIDE 36" OF ADDITIONAL CABLE EXTENDING FROM THE DIMENSIONED LOCATION. PULL CABLE AS CLOSE AS POSSIBLE TO THE LOCATION OF A DATA BOX AFFIXED TO THE WALL OF THE FIXTURE.
- ANY STOREFRONT GLAZING OR WINDOWS IN THE BACK OF HOUSE (BOH) TO RECEIVE OPAQUE WINDOW FILM TO BLOCK VISION FROM THE EXTERIOR INTO THE INTERIOR OF THE SPACE.
- GC TO VERIFY EXISTING CONDITIONS UPON TAKING POSSESSION OF THE SPACE AND NOTIFY PROJECT MANAGER AND ARCHITECT OF ANY DISCREPANCIES.
- EACH PAIR OF POS FIXTURES WILL SHARE A SINGLE DUPLEX OUTLET UNDER ONE OF THE FIXTURES. EACH OUTLET WILL SUPPORT A SIX PORT SURGE PROTECTOR THAT WILL BE MOUNTED IN EACH POS FIXTURE, WITH (1) CORD RUNNING THRU THE CUT-OUT PROVIDED IN THE BASE OF THE FIXTURES INTO THE ADJACENT POS FIXTURE.
- EACH POS WILL SHARE A 6-PORT DATA BOX MOUNTED ON THE BACK WALL OF ONE OF THE FIXTURES TO ACCOMMODATE THE (3) DATA CONNECTIONS REQUIRED FOR EACH POS. PATCH CORDS WILL THEN CONNECT TO THE DEVICES IN EACH POS, WITH (3) RUNNING THRU THE CUT-OUT PROVIDED IN THE BASE OF THE FIXTURES INTO THE ADJACENT POS FIXTURE TO THE APPROPRIATE DEVICE.

FLOOR GENERAL NOTES A09

- ELECTRICAL PANELS RE: ELECTRICAL.
- EXISTING EXTERIOR WALL FRAMING.
- GC TO INSTALL BLACKOUT FILM AS INDICATED. RE: A13.
- ADA COMPLIANT ACCESSORIES TOILET, SINK AND ASSOCIATED PLUMBING.
- CLOSURE PIECE. RE: F09/A11.
- SURFACE MOUNTED FIRE EXTINGUISHER.
- FRT PLYWOOD PHONE/SECURITY BOARD. INSTALL VERTICALLY STARTING AT 6" AFF. AND PAINT TO MATCH ADJACENT WALL. RE: ELEVATION 601/A21
- SINGLE GANG DEVICE BOX FOR VOICE/DATA OUTLET. RE: S01/A21. PROVIDE WITH 1-RJ45 DATA JACK FLUSH MOUNTED IN THE WALL FOR PLASMA SCREEN SIGNAL SOURCE. CABLE WILL BE ROUTED FROM THIS JACK TO ANOTHER JACK LOCATED ON THE TELECOMMUNICATION BACKBOARD.
- THERMOSTAT LOCATIONS, 48" A.F.F. TO OPERABLE PARTS, SPACED 8" APART - CENTER TO CENTER. PROVIDE DATA CABLE FROM EACH THERMOSTAT TO LAN RACK RE: MECHANICAL/ELECTRICAL.
- POWER OUTLETS. RE: ELEVATIONS J01 AND A01 ON SHEET A22 AND ELECTRICAL DRAWINGS.
- UNDER CARPET FLATWIRE LOCATION FOR DIMENSIONAL REFERENCE ONLY. RE: A01/A21 AND ELECTRICAL DRAWINGS.
- ADA COMPLIANT RESTROOM SIGNAGE INSTALLED AT 60" A.F.F. TO CENTERLINE OF SIGN.
- ALIGN FINISH FACES OF WALL WITH EXISTING FINISH FACE OF WALL.
- NEMA CONNECTION FOR UPS POWER. RE: ELECTRICAL.
- DIMENSIONAL LOCATION FOR ELECTRICAL OR DATA/PHONE WALL BOX AT 10" A.F.F. FOR DIMENSIONAL REFERENCE ONLY. INSTALL BOXES ON NON-SALES SIDE OF WALL. WHENEVER POSSIBLE. CUT BOTTOM TRACK BELOW WALL BOX FOR FLATWIRE INTO SALES AREA PRIOR TO INSTALLING GYP BOARD. PAINT TO MATCH WALL. RE: A13/A21 AND ELECTRICAL DRAWINGS.
- DIMENSIONS FOR FLATWIRE DATA TERMINATION POINTS ARE APPROXIMATE AND SHALL BE FIELD VERIFIED TO COORDINATE WITH SPRINT FIXTURE AND CARPET SEAM LOCATIONS. PROVIDE 3'-0" OF EXCESS CABLE EXTENDED FROM NEAREST CARPET SEAM. INSTALL SPRINT FIXTURE. CUT A SLIT IN CARPET FOR CABLE UNDER FIXTURE AS REQUIRED. RE-INSTALL CARPET. TERMINATE CABLE(S) INTO SINGLE GANG OUTLET BOX, AND MOUNT IN SPRINT FIXTURE.
- DIMENSIONAL LOCATION OF ELECTRICAL POWER FLOOR BOX. RE: ELECTRICAL
- EXISTING DEMISING WALL EXTENDED TO METAL DECK. GC TO VERIFY 1-HR UL RATING PER G22/A21.

FLOOR PLAN NOTES A01

DATE:	1/10/08	DESIGNER:	DOUGLAS
DRAWN BY:	DOUGLAS	CHECKED BY:	DOUGLAS

FLOOR PLAN

PROJECT NUMBER:	SPR1408
SHEET AUTHOR:	CHAD OLSON
DATE:	SEPTEMBER 26, 2017

A11