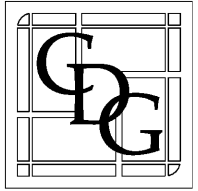




KFC



CORPORATE DESIGN + DEVELOPMENT GROUP, LLC
 (A DIVISION OF THE W+T GROUP, LLC)
 2675 PRATIM AVENUE
 HOFFMAN ESTATES, ILLINOIS 60192
 PH. 224 293 6960
 FAX. 224 293 6966
 WWW.CDG-LLC.COM
 © COPYRIGHT 2017
 CDDG JOB# D17070
 SOUTH CAROLINA DESIGN FIRM # 101322
 EXP. 05/21/2017



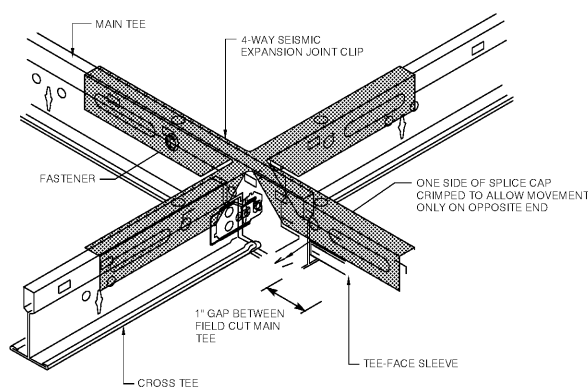
DATE: 08/10/17 EXP: 06/30/2019

DRAWING SUBMITTALS		
Revision Mark	Date	By
	03/24/2017	AMG
	DESIGN DEVELOPMENT REVIEW SET	
	04/18/2017	SC
	PER CLIENT COMMENTS	
	04/25/2017	SC
	PER CLIENT COMMENTS	
	05/09/2017	BL
	PER CLIENT COMMENTS	
	08/18/2017	PM
	REVISED PER CITY COMMENTS	

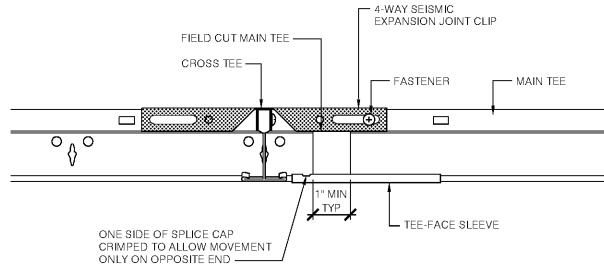
PROJECT TITLE
 "K-30 SERIES 6000 TO AMERICAN SHOWMAN" TEMPLATE VERSION RELEASE 2.0 JAN. 2016
INCENTIVE SCOPE
 4630 W. BROAD STREET
 SUMTER, SC 29154
COMMISSION NO. J860020
SHEET TITLE

SEISMIC CEILING DETAILS

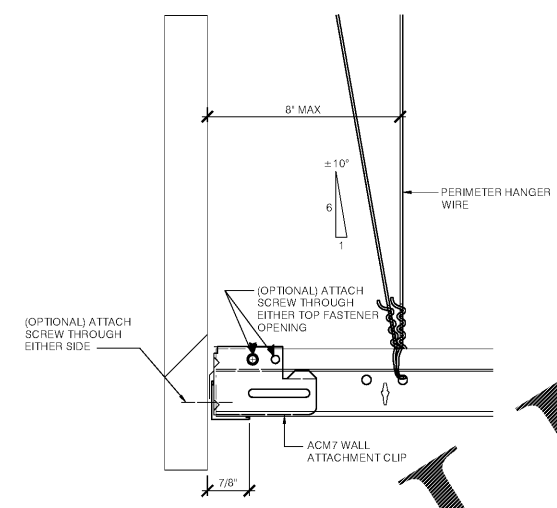
SHEET NO.
A-1.2



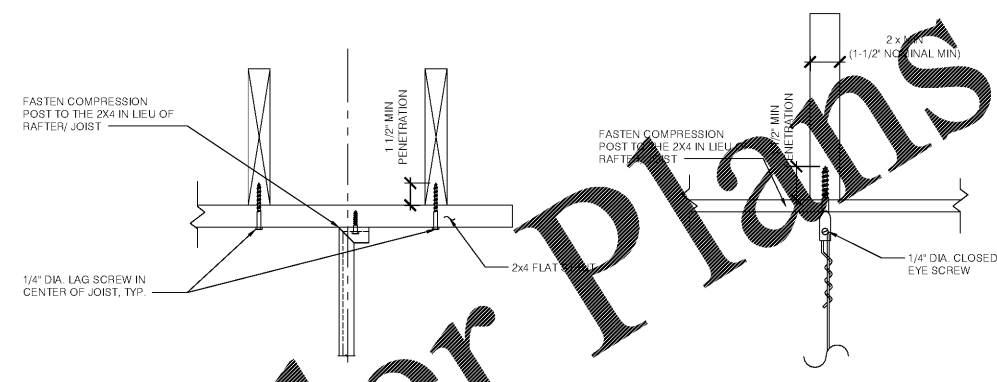
1 - ATC 4 - WAY CLIP
Scale: Not To Scale



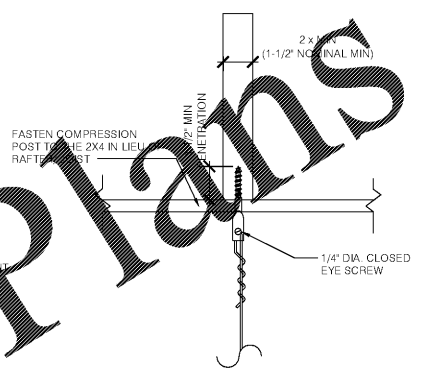
2 - SEISMIC - CAT D-F-PERIMETER TREATMENT - SEISMIC CLIP
Scale: Not To Scale



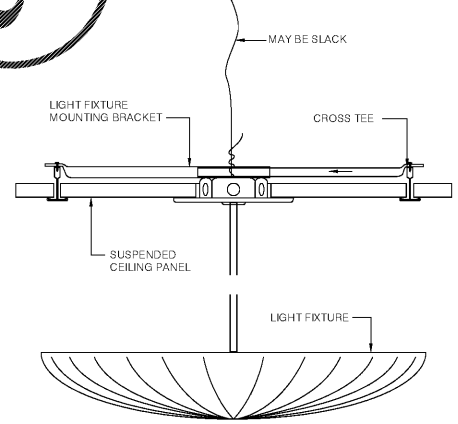
3 - SEISMIC - SPLAY WIRE BRACING & COMPRESSION POST
Scale: Not To Scale



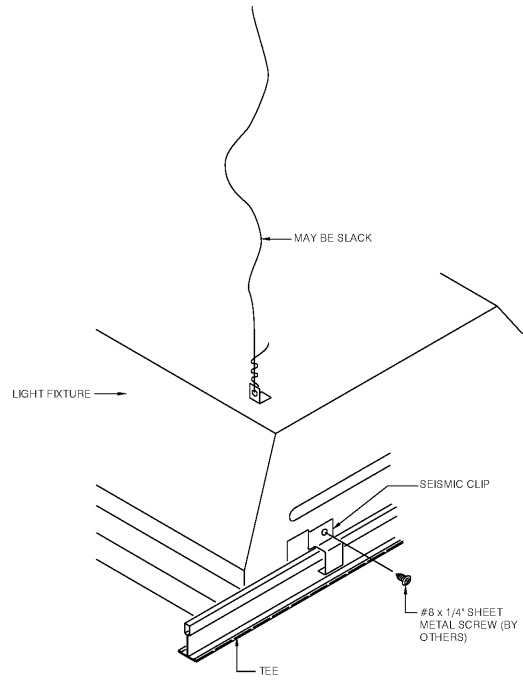
4 - SEISMIC - COMPRESSION POST CONNECTION
Scale: Not To Scale



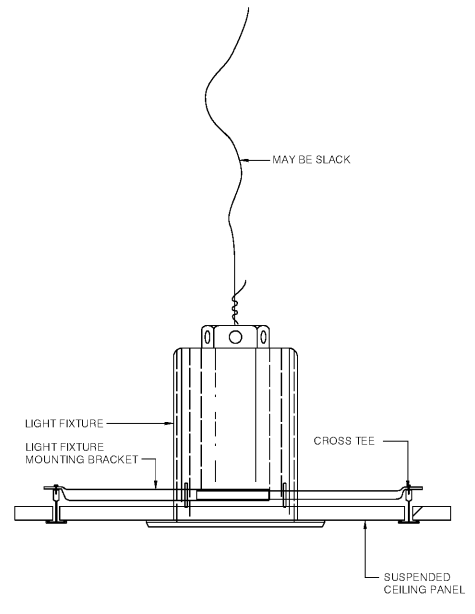
5 - SEISMIC - HANGER WIRE CONNECTION
Scale: Not To Scale



6 - SEISMIC - CAT D-F-PENDANT HUNG LIGHT
Scale: Not To Scale



7 - SEISMIC - CAT D-F - TYPE G FIXTURE
Scale: Not To Scale



8 - SEISMIC - CAT D-F-CAN LIGHT FIXTURE
Scale: Not To Scale

THIS DOCUMENT IS THE PROPERTY OF CHRISTIAN KALISCHNEF, P.E. ANY REPRODUCTION OR DISTRIBUTION OF THIS DOCUMENT WITHOUT THE WRITTEN PERMISSION OF CHRISTIAN KALISCHNEF, P.E. IS PROHIBITED. PLOTTED: Thursday, August 10, 2017 2:42:58 PM