



KFC

INTERPLAN
ARCHITECTURE
ENGINEERING
INTERIOR DESIGN
PROJECT MANAGEMENT

604 COURTLAND STREET
SUITE 100
ORLANDO, FLORIDA 32804
PH 407.645.5008
FX 407.629.9124

SEAL
THIS DOCUMENT IS NOT FOR CONSTRUCTION
UNLESS THE ARCHITECT OR ENGINEER'S
SIGNATURE AND SEAL APPEAR BELOW.

CORPORATE SEAL

IP PROJECT NO # 2017 6445

DRAWING SUBMITTALS

DESIGN DEVELOPMENT REVIEW SET

DATE BY

PERMIT SET SUBMITTAL

DATE BY

PERMIT SET PREVISION

DATE BY

REVISION:

Mark Date By

PROJECT TITLE
"K-30 SERIES 6000
TO AMERICAN SHOWMAN"
TEMPLATE VERSION
RELEASE 2.0 JAN. 2016

411 HIGHWAY 52, MONCK'S
CORNER, SC 29461

COMMISSION NO. H343006
ISSUE DATE 06-13-17

SHEET TITLE

FIXTURE - GRAPHIC
PLACEMENT PLAN &
INTERIOR
ELEVATIONS

SHEET NO.

A-1.1

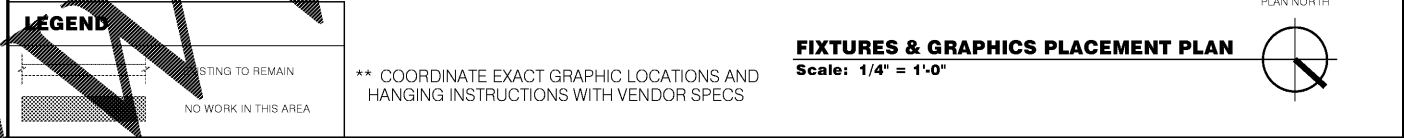
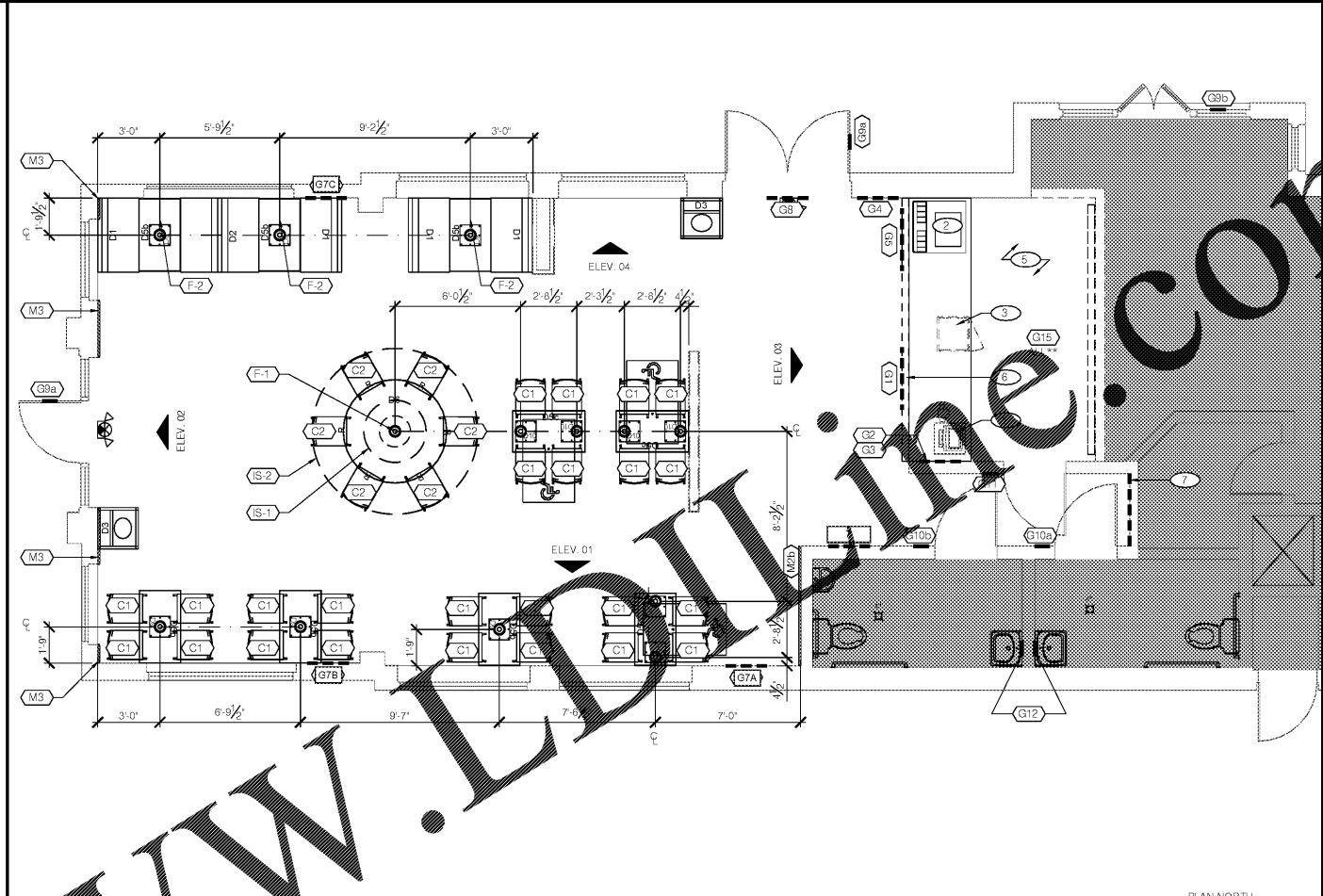


IMAGE COMPONENT SCHEDULE (CONT'D)

TAG	QTY.	ITEM DESCRIPTION
GRAPHICS		
G1	1	"KITCHEN" SIGN
G2	1	CHALK BOARD - PRINTED
G3	1	REAL MEALS GUARANTEE
G4	1	SECRET PROCESS ART
G5	1	PEPSI FILLING STATION SIGN
G7a	1	POSTER ARTWORK - "SOUTHERN INSPIRED"
G7b	1	POSTER ARTWORK - "SANDERS FOR SENATOR"
G7c	1	POSTER ARTWORK - "COLONEL 101"
G7d	1	POSTER - "No1 CHICKEN SALESMAN"
G8	1	"THANKS" MESSAGE
G9a	2	STORE HOURS - ENTRY DOOR
G9b	1	STORE HOURS - DT WINDOW
G10a	1	RESTROOM SIGNS - LADIES
G10b	1	RESTROOM SIGNS - GENTS
G11	1	COLONEL'S OFFICE SIGN
G12	2	RESTROOM MIRROR MESSAGE
G15a	1	BOH ART - COMMUNICATION BOARD (VERT. & HORIZ)
G15b	1	BOH ART - FAMILY PRIDE BOARD
G15c	1	BOH ART - COLONEL PROUD BANNER
G15d	1	BOH ART - COLONEL TIE MIRROR
G15e	1	BOH ART - GREATEST CHICKEN COLLAGE
G15f	1	BOH ART - SERVICE PROMISE SIGN

IMAGE COMPONENT SCHEDULE (XX)

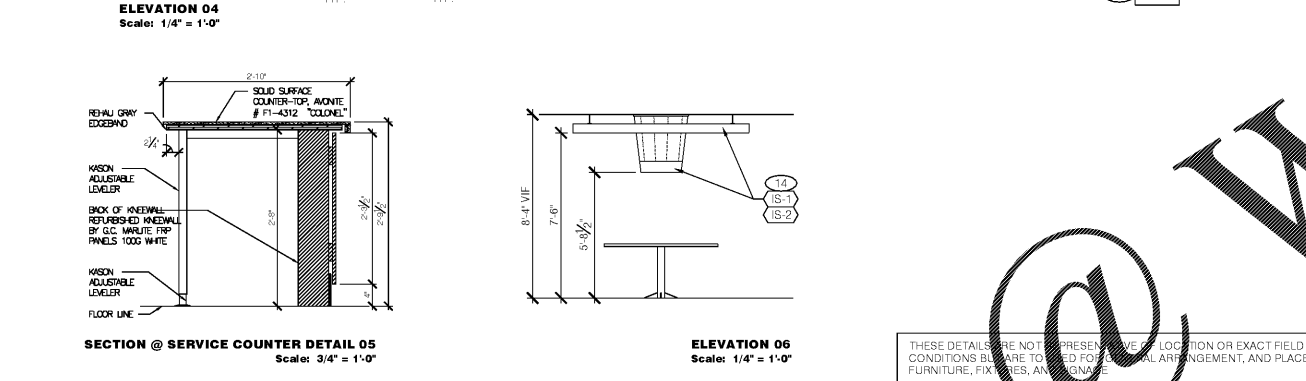
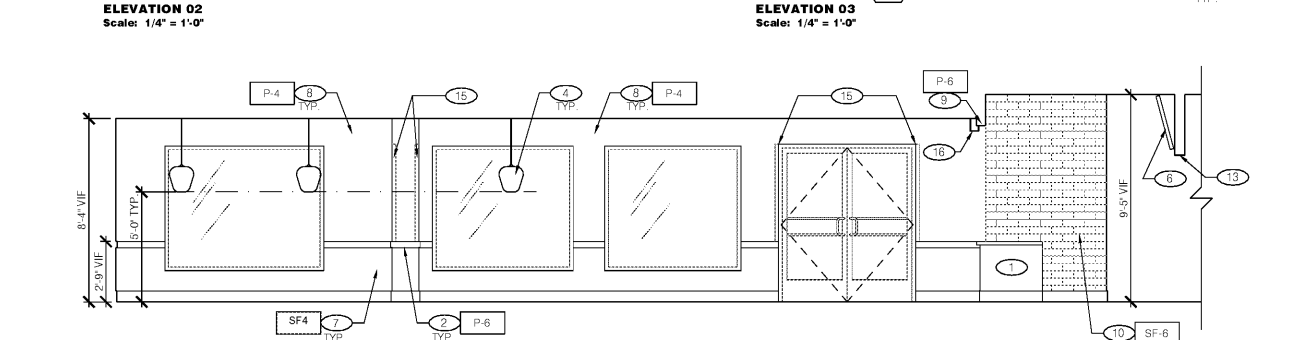
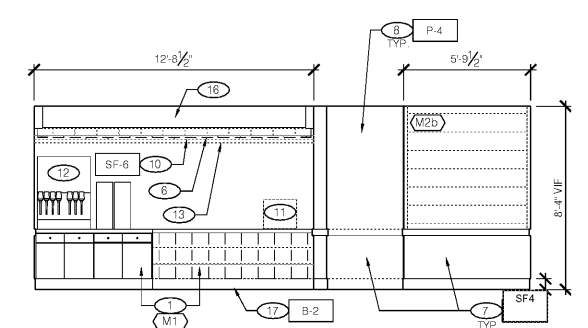
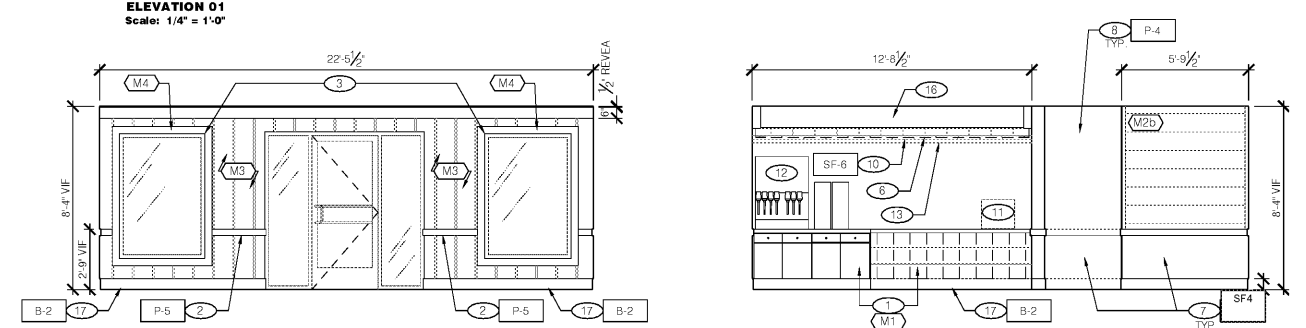
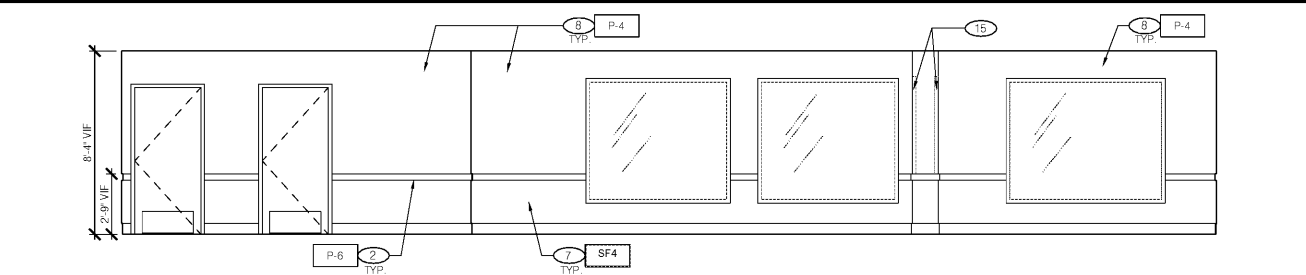
TAG	QTY.	ITEM DESCRIPTION
INTERIOR SPECIALTIES		
IS-1	1	BUCKET
IS-2	1	RING CEILING ELEMENT
DECOR		
D1	4	SANDERS BOOTH - SINGLE
D2	1	SANDERS BOOTH - DOUBLE
D3	2	TRASH UNIT - SINGLE
D5b	6	TABLE TOP - 24" X 42"
D5c	3	TABLE TOP - 24" X 42" HC W/ SYMBOL
D6	1	FOCAL TABLE 60" ROUND WITH CUSTOM BASE
D9	6	CLIP DOWN STEEL TABLE POST WITH ESCUTCHEON BASE AND MOUNTING PLATE
D10	6	CLIP DOWN STEEL TABLE POST WITH ESCUTCHEON BASE AND OFFSET MOUNTING PLATE HC
CHAIRS		
C1	24	CAFE DINING CHAIRS
C2	6	CAFE DINING CHAIRS - KFC RED SEAT

FIXTURES & GRAPHICS KEY NOTES:

- EXISTING P.O.S. EQUIPMENT - INCL. EXIST OR NEW UNDER COUNTER CASH DRAWER BRACKET
- RE-INSTALL EXISTING ICE MACHINE & BEVERAGE DISPENSER - SEE SHEET D1.0
- EXISTING SAFE
- REPLACE EXTERIOR/INTERIOR BRANDED, PLASTIC DOOR PANEL WITH PREFINISH PANEL TO MATCH DOOR FRAME
- EXISTING SECURITY MONITOR, RELOCATE AS NECESSARY FOR NEW SERVICE COUNTER LAYOUT
- CUSTOM MILLWORK PROVIDED BY VENDOR
- REINSTALL EXISTING "KFC FOUNDATION" ARTWORK
- PAINT EXISTING TABLETOP POSTS - MATTE BLACK

IMAGE COMPONENT SCHEDULE (CONT'D)

MILLWORK	QTY.	LN. FT.	ITEM DESCRIPTION
M1	N/A	12'-8 1/2'	ORDER COUNTER/DRINK COUNTER COMPONENTS
		12'-8 1/2'	FRONT COUNTER BEAMS - NEED BOTH QTY AND LN. FT.
SS-2	6	N/A	CORIAN WINDOW SILL TOPS FOR WINDOWS
M2b	5'-9 1/2'	N/A	ENTRY FOCAL WALL WITH REAL MEALS QUOTE - OVER CHAIR RAIL
M3	N/A	22'-5"	FOCAL WALL PANELS - BACK RED WALL INCLUDING WINDOW AND TOP TRIM
M4	2	N/A	WINDOW TRIM



INTERIOR ELEVATION KEY NOTES - ISR

- NEW SERVICE COUNTER (OVER EXISTING KNEE WALL)
- NEW CHAIR RAIL - PRE-PRIMED BY VENDOR, INSTALL WITH REVEAL TO CEILING
- VENDOR PROVIDED WINDOW SILL, JAMB AND HEADER RETURNS ON RED WALL TO BE PAINT P-6
- NEW PENDANT LIGHT FIXTURES - SEE CEILING PLAN
- VENDOR PROVIDED FRAMED ARTWORK, USE PROVIDED TEMPLATE TO INSTALL
- EXISTING MENUBOARD
- INSTALL NEW WAINSCOT
- SKIM COAT EXISTING WALLS (TO LEVEL 3), PRIME AND PAINT ABOVE CHAIR RAIL
- EXISTING SOFFIT (FACE AND UNDERSIDE) TO BE PAINTED P-4
- NEW FRP PANEL OVER EXISTING TILE
- EXISTING POS EQUIPMENT
- EXISTING PEPSI DISPENSER / ICE MACHINE
- STAINLESS STEEL HEADER CAP ON EXISTING BULKHEAD
- NEW SUSPENDED BUCKET GRAB ELEMENT
- NEW SIGN MOUNTED OVER GUARDRAIL
- NEW ORDER COUNTER FAUX BEAMS OVERHEAD
- NEW 6" WALL BASE

Order Plans @ WWW.LDLINE.COM

THIS DOCUMENT IS THE PROPERTY OF INTERPLAN. IT IS TO BE USED ONLY FOR THE PROJECT AND SITE SPECIFICALLY IDENTIFIED HEREIN. NO PART OF THIS DOCUMENT IS TO BE REPRODUCED, COPIED, OR TRANSMITTED IN ANY FORM OR BY ANY MEANS, WITHOUT THE WRITTEN PERMISSION OF INTERPLAN. THE USER OF THIS DOCUMENT ASSUMES ALL LIABILITY FOR ANY DAMAGE, LOSS, OR INJURY, INCLUDING REASONABLE ATTORNEY'S FEES, ARISING FROM THE USE OF THIS DOCUMENT. INTERPLAN SHALL BE RELEASED FROM ALL LIABILITY FOR ANY DAMAGE, LOSS, OR INJURY, INCLUDING REASONABLE ATTORNEY'S FEES, ARISING FROM THE USE OF THIS DOCUMENT.