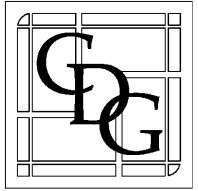




KFC



CORPORATE DESIGN + DEVELOPMENT GROUP, LLC
 (A DIVISION OF THE W+T GROUP, LLC)
 2675 PRATIM AVENUE
 HOFFMAN ESTATES, ILLINOIS 60192
 PH. 224 293 6960
 FAX. 224 293 6966
 WWW.CDG-LLC.COM
 © COPYRIGHT 2017
 CDDG JOB# D17071
 SOUTH CAROLINA DESIGN FIRM # 101322
 EXP. 05/21/2017



DATE: 08/10/2017 EXP: 06/30/2019

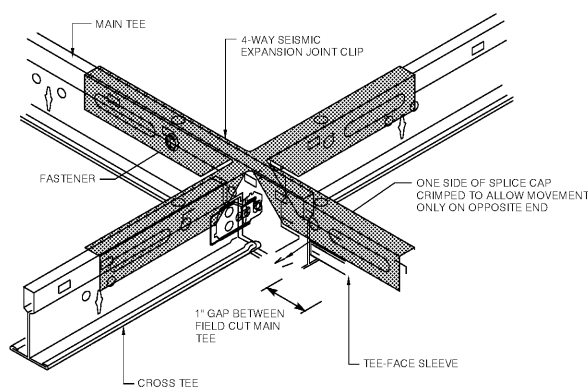
DRAWING SUBMITTALS		
Revision Mark	Date	By
	03/27/2017	MP
DESIGN DEVELOPMENT REVIEW SET		
	04/18/2017	MP
PER CLIENT COMMENTS		
	04/26/2017	SC
PER CLIENT COMMENTS		
	05/02/2017	AMS
PER FZ COMMENTS		
	08/13/2014	PM
REVISED PER CITY COMMENTS		

APPROVED FOR CONSTRUCTION
 9-8-2017 JS

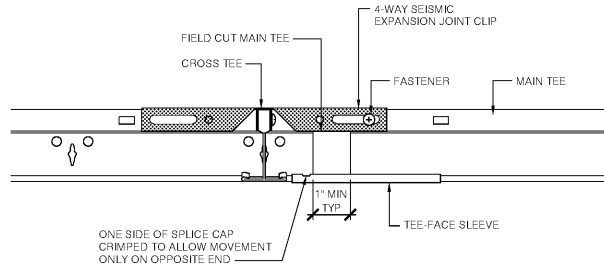
PROJECT TITLE
 "K-32 SERIES 6000 TO AMERICAN SHOWMAN" TEMPLATE VERSION
 RELEASE 2.0 JAN. 2016
 INCENTIVE SCOPE
 215 E. LIBERTY ST.
 SUMTER, SOUTH CAROLINA 29150
 COMMISSION NO. J860021
 SHEET TITLE

SEISMIC CEILING DETAILS

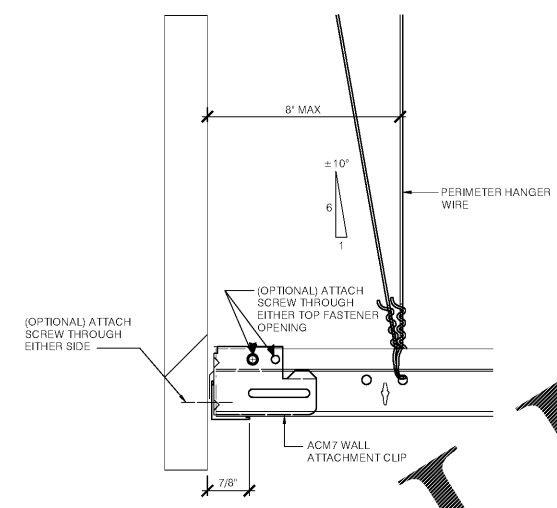
SHEET NO. **A-1.2**



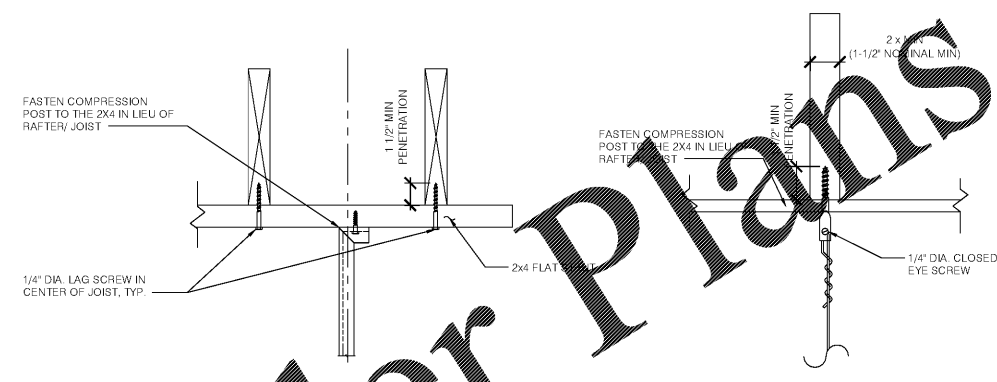
1 - ATC 4 - WAY CLIP
Scale: Not To Scale



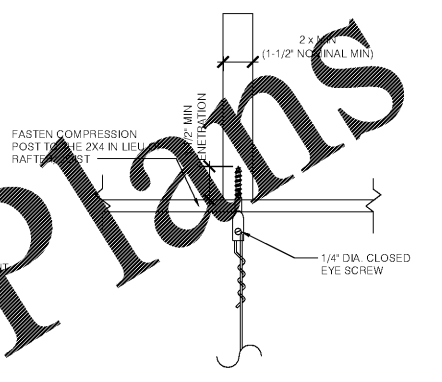
2 - SEISMIC - CAT D-F-PERIMETER TREATMENT - SEISMIC CLIP
Scale: Not To Scale



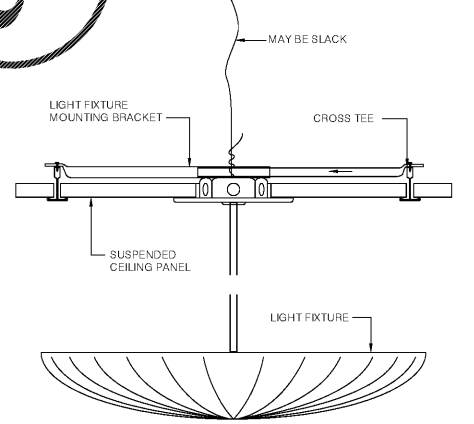
3 - SEISMIC - SPLAY WIRE BRACING & COMPRESSION POST
Scale: Not To Scale



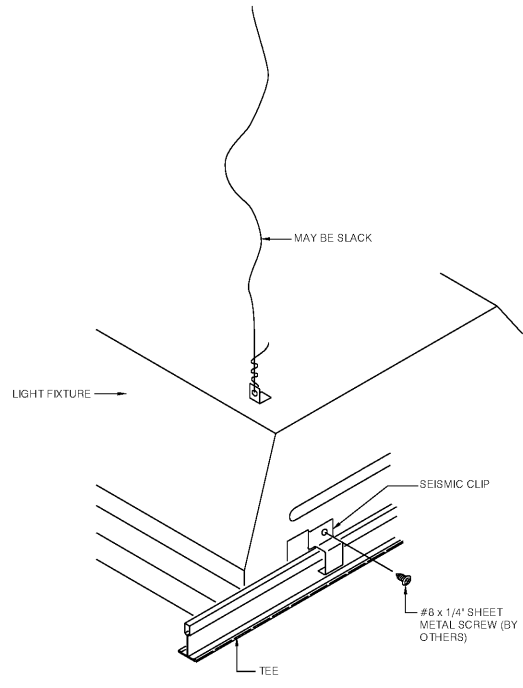
4 - SEISMIC - COMPRESSION POST CONNECTION
Scale: Not To Scale



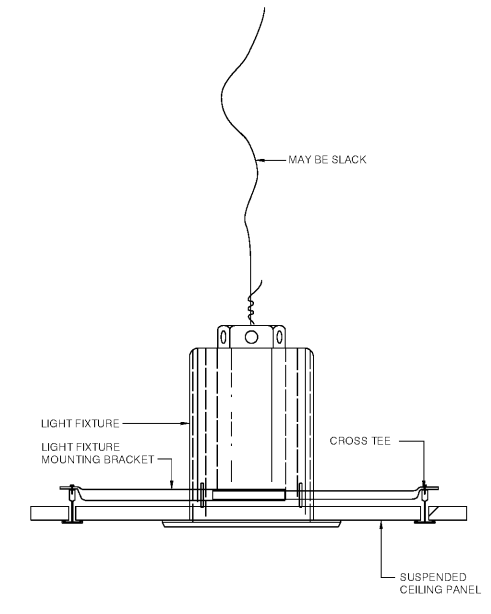
5 - SEISMIC - HANGER WIRE CONNECTION
Scale: Not To Scale



6 - SEISMIC - CAT D-F-PENDANT HUNG LIGHT
Scale: Not To Scale



7 - SEISMIC - CAT D-F - TYPE G FIXTURE
Scale: Not To Scale



8 - SEISMIC - CAT D-F-CAN LIGHT FIXTURE
Scale: Not To Scale

THIS DOCUMENT IS THE PROPERTY OF CDG. NO PART OF THIS DOCUMENT IS TO BE REPRODUCED OR TRANSMITTED IN ANY FORM OR BY ANY MEANS, ELECTRONIC OR MECHANICAL, INCLUDING PHOTOCOPYING, RECORDING, OR BY ANY INFORMATION STORAGE AND RETRIEVAL SYSTEM, WITHOUT THE WRITTEN PERMISSION OF CDG. PLOTTED: Thursday, August 10, 2017 3:30:02 PM