



KFC

INTERPLAN
ARCHITECTURE
ENGINEERING
INTERIOR DESIGN
PROJECT MANAGEMENT

604 COURTLAND STREET
SUITE 100
ORLANDO, FLORIDA 32804
PH 407.645.5008
FX 407.629.9124

SEAL
THIS DOCUMENT IS NOT FOR CONSTRUCTION
UNLESS THE ARCHITECT OR ENGINEER'S
SIGNATURE AND SEAL APPEAR BELOW.

CORPORATE SEAL

IP PROJECT NO # 2017 6443

DRAWING SUBMITTALS

DESIGN DEVELOPMENT REVIEW SET

ISSUE BY JAC

DATE BY PERMIT SET SUBMITTAL

DATE BY PERMIT SET PREVIOUS

DATE BY PERMIT SET PREVIOUS

DATE BY PERMIT SET PREVIOUS

DATE BY PERMIT SET PREVIOUS

DATE BY PERMIT SET PREVIOUS

DATE BY PERMIT SET PREVIOUS

DATE BY PERMIT SET PREVIOUS

DATE BY PERMIT SET PREVIOUS

DATE BY PERMIT SET PREVIOUS

DATE BY PERMIT SET PREVIOUS

DATE BY PERMIT SET PREVIOUS

DATE BY PERMIT SET PREVIOUS

DATE BY PERMIT SET PREVIOUS

DATE BY PERMIT SET PREVIOUS

DATE BY PERMIT SET PREVIOUS

DATE BY PERMIT SET PREVIOUS

DATE BY PERMIT SET PREVIOUS

DATE BY PERMIT SET PREVIOUS

DATE BY PERMIT SET PREVIOUS

DATE BY PERMIT SET PREVIOUS

DATE BY PERMIT SET PREVIOUS

DATE BY PERMIT SET PREVIOUS

DATE BY PERMIT SET PREVIOUS

DATE BY PERMIT SET PREVIOUS

DATE BY PERMIT SET PREVIOUS

DATE BY PERMIT SET PREVIOUS

DATE BY PERMIT SET PREVIOUS

DATE BY PERMIT SET PREVIOUS

DATE BY PERMIT SET PREVIOUS

DATE BY PERMIT SET PREVIOUS

DATE BY PERMIT SET PREVIOUS

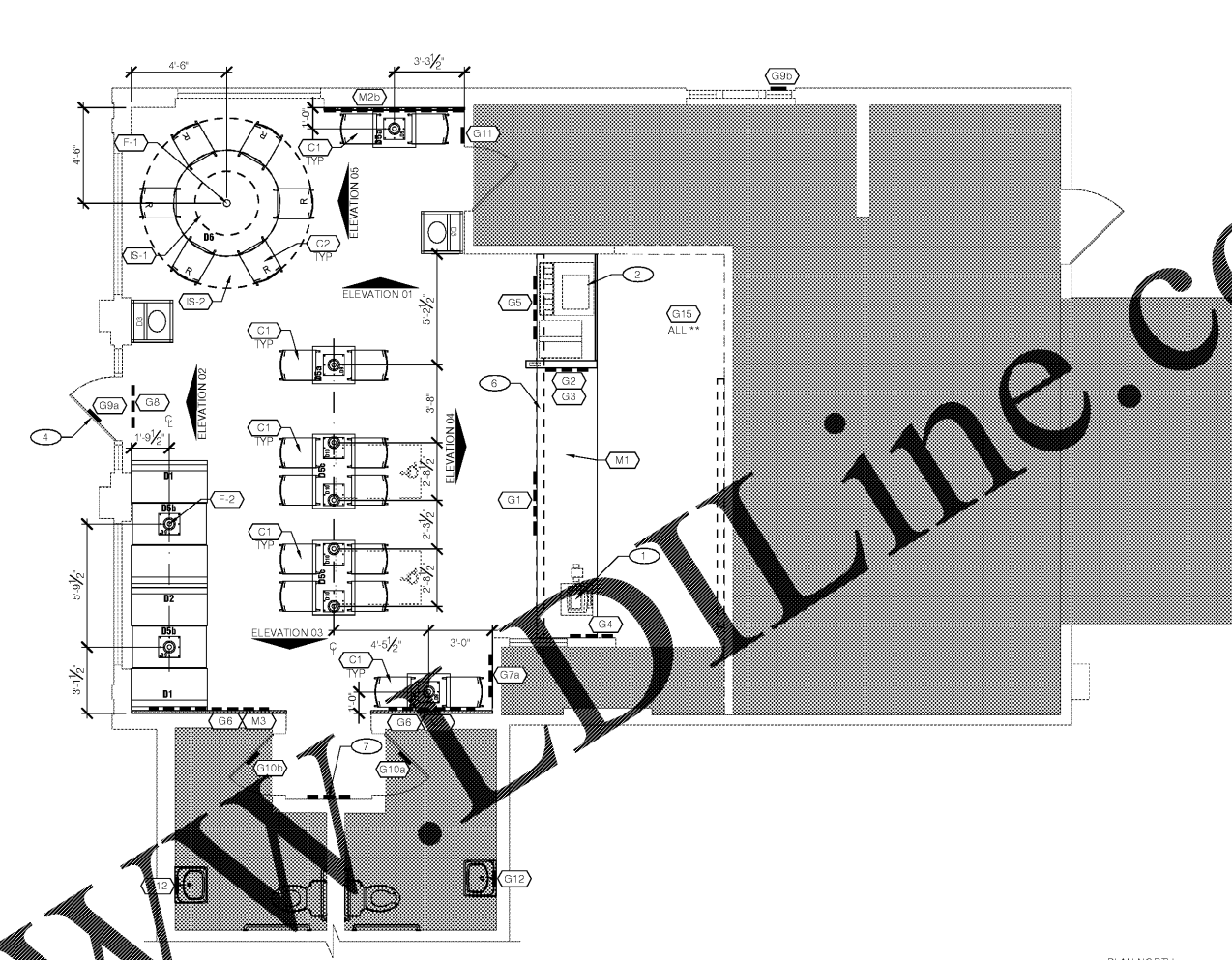
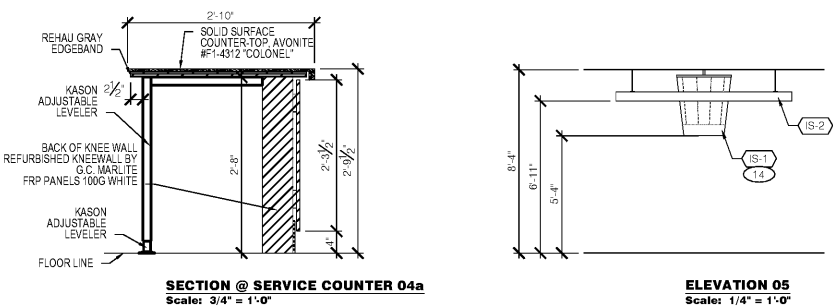
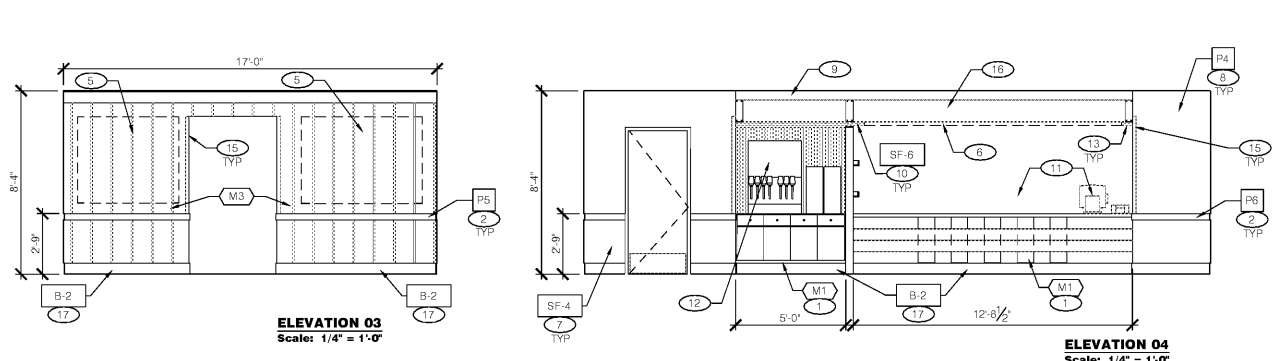
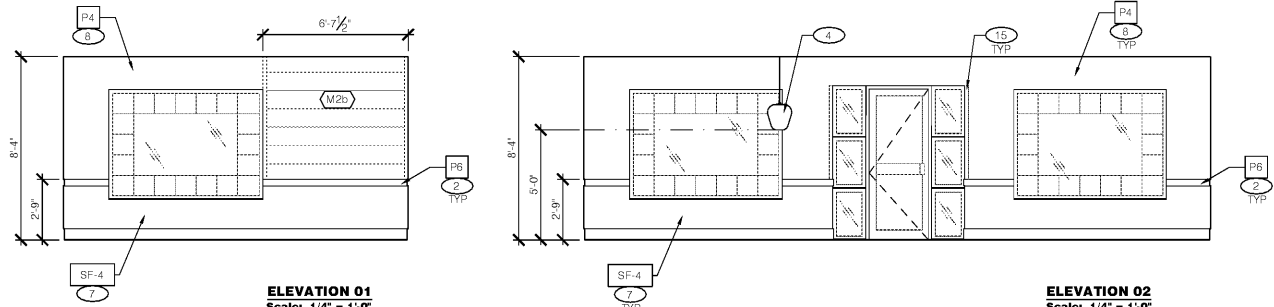
DATE BY PERMIT SET PREVIOUS

DATE BY PERMIT SET PREVIOUS

DATE BY PERMIT SET PREVIOUS

DATE BY PERMIT SET PREVIOUS

DATE BY PERMIT SET PREVIOUS



FIXTURES & GRAPHICS PLACEMENT PLAN
Scale: 1/4" = 1'-0"



LEGEND

	EXISTING TO REMAIN
	NO WORK IN THIS AREA

** COORDINATE EXACT GRAPHIC LOCATIONS AND HANGING INSTRUCTIONS WITH VENDOR SPECS

THESE DETAILS ARE NOT PRESENT TO INDICATE LOCATION OR EXACT FIELD CONDITIONS. BE SURE TO CHECK FOR CORDS, PIPING, ARRANGEMENT, AND PLACEMENT OF FURNITURE, FIXTURES, AND GRAPHICS.

INTERIOR ELEVATION KEY NOTES - ISR

- 1 NEW SERVICE COUNTER (OVER EXISTING KNEE WALL)
- 2 NEW CHAIR RAIL PRE-PRIMED BY VENDOR, INSTALL WITH REVEAL TO CEILING
- 3 VENDOR PROVIDED WINDOW SILL JAMB AND HEADER RETURNS ON RED WALL TO BE PAINT P-6
- 4 NEW PENDANT LIGHT FIXTURES - SEE CEILING PLAN
- 5 VENDOR PROVIDED FRAMED ARTWORK, USE PROVIDED TEMPLATE TO INSTALL
- 6 EXISTING MENUBOARD
- 7 INSTALL NEW WAINSCOT PRE-PAINTED
- 8 SKIM COAT EXISTING WALLS (TO LEVEL 3), PRIME AND PAINT ABOVE CHAIR RAIL
- 9 EXISTING SOFFIT (FACE AND UNDERSIDE) TO BE PAINTED P-4
- 10 NEW FRP PANEL OVER EXISTING TILE
- 11 EXISTING POS EQUIPMENT
- 12 EXISTING PEPSI DISPENSER / ICE MACHINE
- 13 STAINLESS STEEL HEADER CAP ON EXISTING BULKHEAD
- 14 NEW SUSPENDED BUCKET GRAB BEHIND COUNTER
- 15 NEW SUSPENDED BUCKET GRAB OVER GUARANTEE
- 16 NEW ORDER COUNTER FAUX BEAMS OVERHEAD
- 17 NEW 6" WALL BASE

IMAGE COMPONENT SCHEDULE (CONT'D)

TAG	QTY	ITEM DESCRIPTION
G1	1	"KITCHEN SIGN"
G2	1	CHALK BOARD SIGN
G3	1	REAL MEALS GUARANTEE
G4	1	SECRET PROCESS ART
G5	1	PEPSI FILLING STATION SIGN
G6	1	FOCAL WALL ART
G7a	1	POSTER ARTWORK - "SOUTHERN INSPIRED"
G8	1	"THANKS" MESSAGE
G9a	1	STORE HOURS - ENTRY DOOR
G9b	1	STORE HOURS - DT WINDOW
G10a	1	RESTROOM SIGNS - LADIES
G10b	1	RESTROOM SIGNS - MENS
G11	1	COLONEL'S OFFICE SIGN
G12	2	RESTROOM MIRROR MESSAGE
G15a	1	BOH ART - COMMUNICATION BOARD (VERT. & HORIZ.)
G15b	1	BOH ART - FAMILY PRIDE BOARD
G15c	1	BOH ART - COLONEL PROUD BANNER
G15d	1	BOH ART - COLONEL TIE MIRROR
G15e	1	BOH ART - GREATEST CHICKEN COLLAGE
G15f	1	BOH ART - SERVICE PROMISE SIGN

IMAGE COMPONENT SCHEDULE (CONT'D)

TAG	QTY	LN. FT.	ITEM DESCRIPTION
M1	N/A	17'-9"	ORDER COUNTER/DRINK COUNTER COMPONENTS
	1	18'-1"	FRONT COUNTER BEAMS - NEED BOTH QTY AND LN. FT.
	1	N/A	FRONT COUNTER PEPSI DIVIDER WALL AND BACK PANEL
SS-2	3	N/A	CORIAN WINDOW SILL TOPS FOR WINDOWS
M2b	1	N/A	ENTRY FOCAL WALL WITH REAL MEALS QUOTE - OVER CHAIR RAIL
M3	N/A	17'-0"	FOCAL WALL PANELS - BACK RED WALL INCLUDING WINDOW AND TOP TRIM

IMAGE COMPONENT SCHEDULE (XX)

TAG	QTY	ITEM DESCRIPTION
IS-1	1	BUCKET
IS-2	1	RING CEILING ELEMENT
DECOR		
D1	2	SANDERS BOOTH - SINGLE
D2	1	SANDERS BOOTH - DOUBLE
D3	2	TRASH UNIT - SINGLE
D5a	3	TABLE TOP - 21' X 24"
D5b	2	TABLE TOP - 24' X 42"
D5c	2	TABLE TOP - 24' X 42" HC W/ SYMBOL
D6	1	FOCAL TABLE 60" ROUND WITH CUSTOM BASE
D9	5	CLIP DOWN STEEL TABLE POST WITH ESCUTCHEON BASE AND MOUNTING PLATE
D10	4	CLIP DOWN STEEL TABLE POST WITH ESCUTCHEON BASE AND OFFSET MOUNTING PLATE HC
CHAIRS		
C1	14	CAFE DINING CHAIR
C2	6	CAFE DINING CHAIRS - KFC RED SEAT

FIXTURES & GRAPHICS KEY NOTES:

- 1 EXISTING P.O.S. EQUIPMENT - INCL. EXIST OR NEW UNDER COUNTER CASH DRAWER BRACKET
- 2 RE-INSTALL EXISTING ICE MACHINE & BEVERAGE DISPENSER - IN NEW LOCATION
- 3 EXISTING SAFE
- 4 REPLACE EXTERIOR/INTERIOR BRANDED, PLASTIC DOOR PANEL WITH PRE-FINISH PANEL TO MATCH DOOR FRAME
- 5 EXISTING SECURITY MONITOR, RELOCATE AS NECESSARY FOR NEW SERVICE COUNTER LAYOUT
- 6 CUSTOM MILLWORK PROVIDED BY VENDOR
- 7 REINSTALL EXISTING "KFC FOUNDATION" ARTWORK
- 8 PAINT EXISTING TABLETOP POSTS - MATTE BLACK

Order Plans @ WWW.LDOLine.com

5987 W. JIM BILTON BLVD., SAINT GEORGE, SC 29477
COMMISSION NO: H343003
ISSUE DATE: 06/13/17
SHEET TITLE: INTERIOR ELEVATIONS, FIXTURE & GRAPHICS PLAN
SHEET NO: A-1.1

THIS DOCUMENT IS THE PROPERTY OF INTERPLAN. IT IS TO BE USED ONLY FOR THE PROJECT AND NOT TO BE REPRODUCED, COPIED, OR DISTRIBUTED WITHOUT THE WRITTEN CONSENT OF INTERPLAN. INTERPLAN ASSUMES NO LIABILITY FOR ANY ERRORS OR OMISSIONS. THE USER ACCEPTS FULL RESPONSIBILITY FOR THE ACCURACY AND COMPLETENESS OF THE INFORMATION CONTAINED HEREIN. INTERPLAN ASSUMES NO LIABILITY FOR ANY ERRORS OR OMISSIONS. THE USER ACCEPTS FULL RESPONSIBILITY FOR THE ACCURACY AND COMPLETENESS OF THE INFORMATION CONTAINED HEREIN.

COPYRIGHT © 2017 INTERPLAN LICENSEES COPYRIGHT & OTHER RIGHTS RESTRICTING THESE DOCUMENTS TO THE ORIGINAL SITE OR PURPOSE FOR WHICH THEY WERE PREPARED. REPRODUCTIONS, CHANGES OR ASSIGNMENTS ARE PROHIBITED.