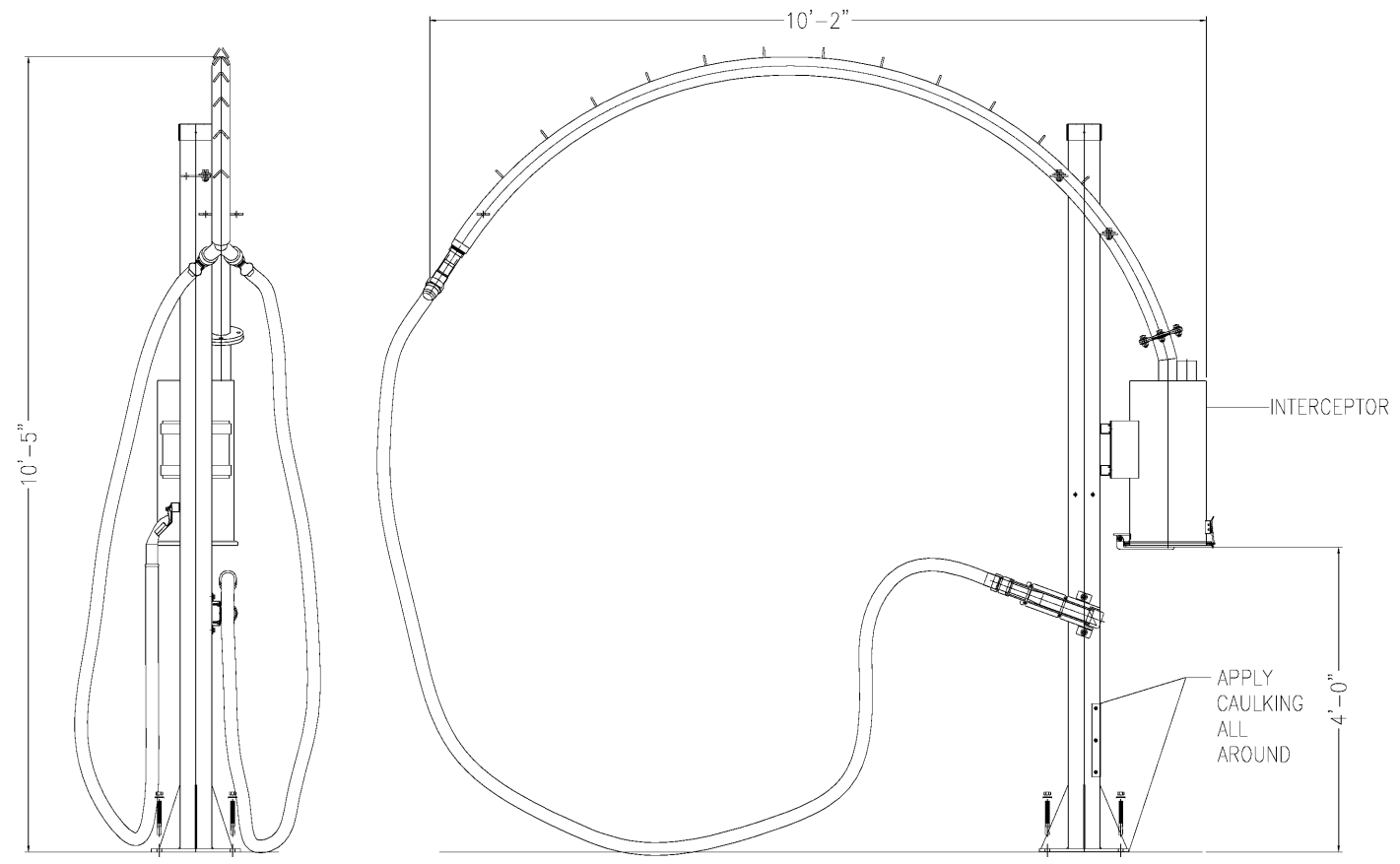
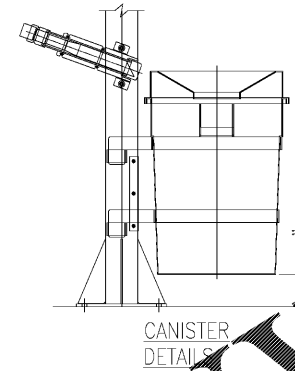


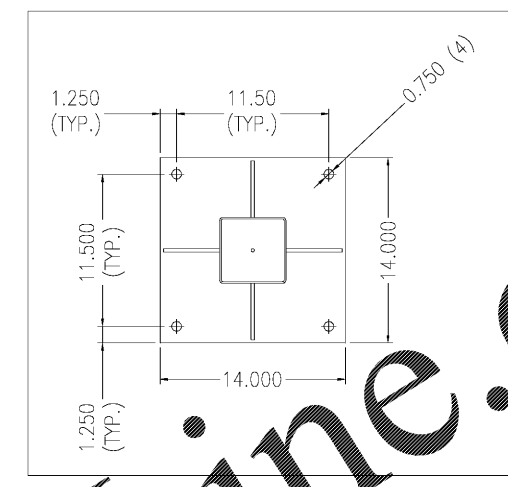
THIS DOCUMENT CONTAINS PROPRIETARY AND CONFIDENTIAL DATA OF EUROVAC. NO DISCLOSURE, REPRODUCTION OR USE OF ANY PART THEREOF, MAY BE MADE WITHOUT WRITTEN PERMISSION OF THE COMPANY.



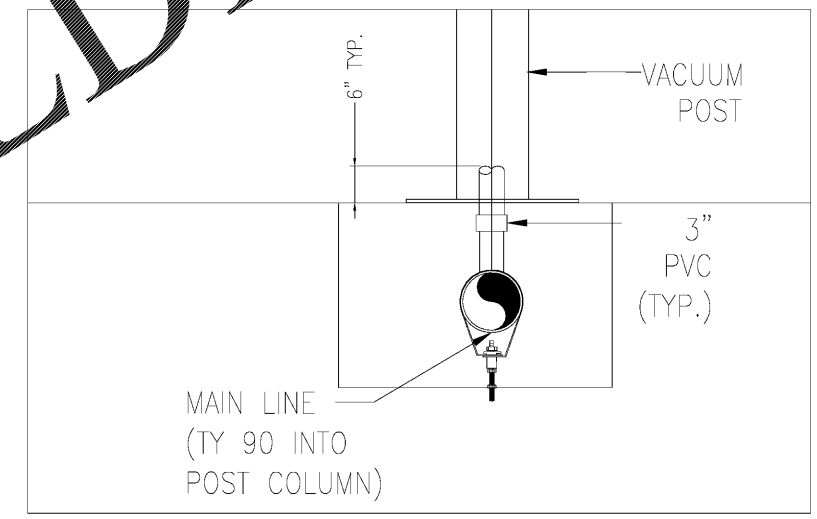
DOUBLE ARCH ELEVATION VIEW
SCALE N.T.S.



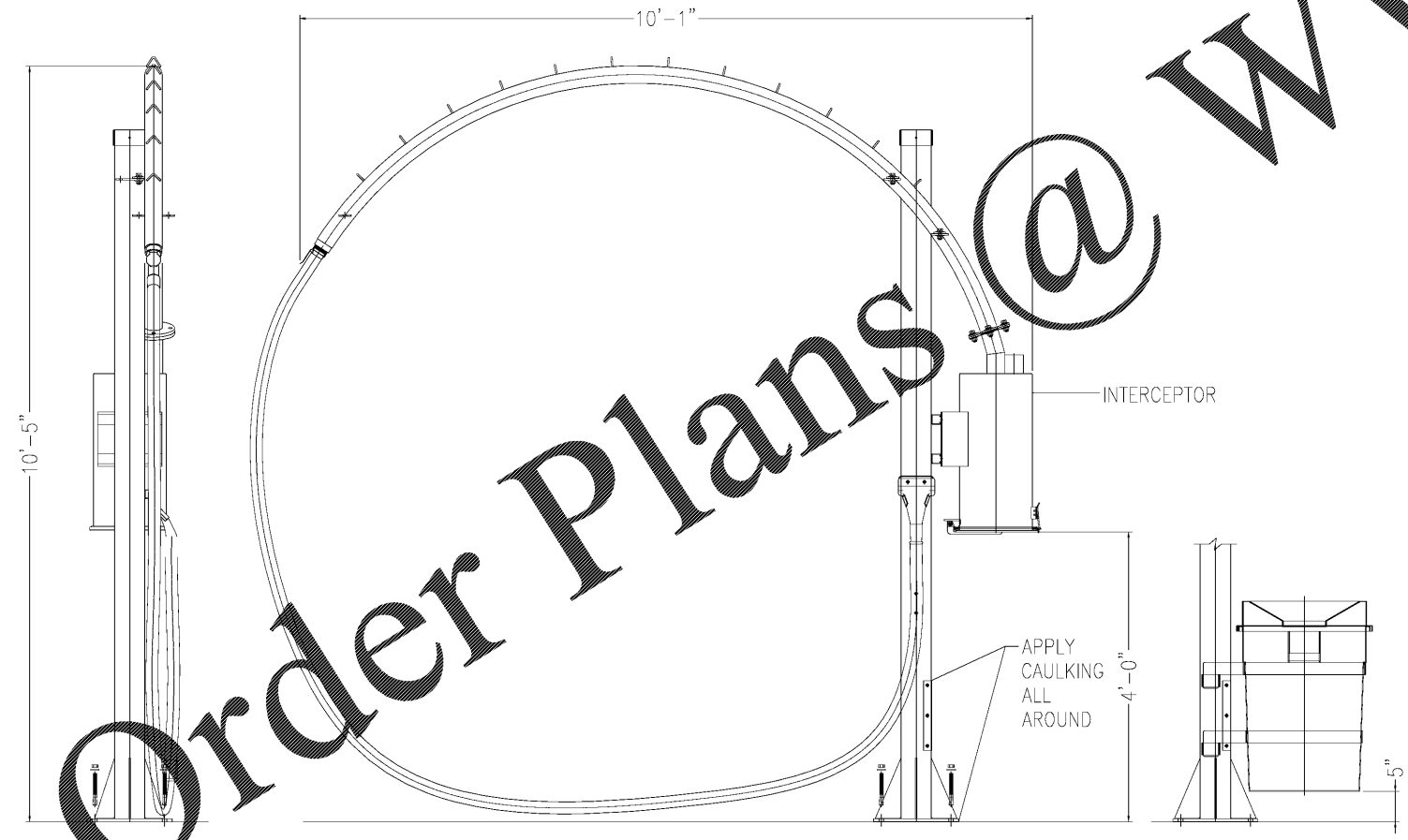
CANISTER
DETAILS



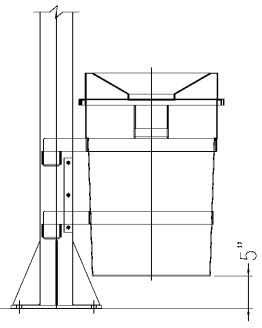
MOST BASIC DETAIL
SCALE N.T.S.
DIMENSIONS: INCHES



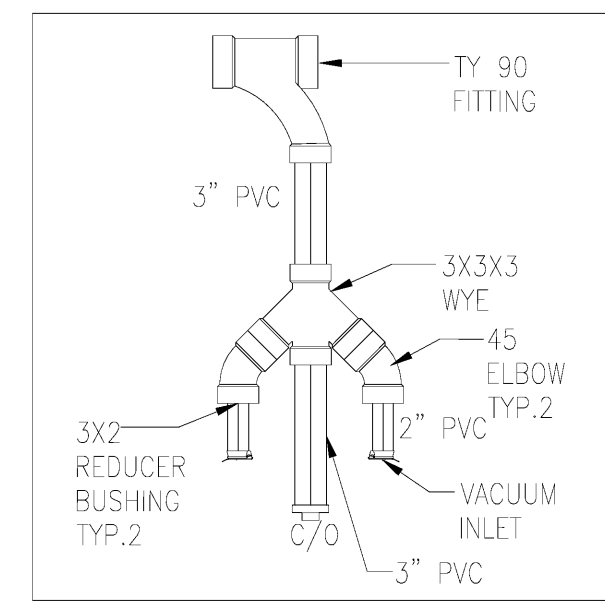
UNDERGROUND PVC LAYOUT
SCALE N.T.S.



SINGLE ARCH ELEVATION VIEW
SCALE N.T.S.



CANISTER
DETAILS



HANGING PVC WORKSTATION DROPS
SCALE N.T.S.

REV.	DATE:	DESCRIPTION:
1		
2		
3		
4		
5		

EUROVAC
WWW.EUROVAC.COM
TEL: 1-800-265-3878

SCALE: N.T.S.
DATE: 16/05/17
APPROVED BY: AR

SITE PLAN
SAM'S WINSTON SALEM ARCH DETAILS

DRAWN BY: AV
SHEET: 2 OF 3

Order Plans @ WWW.LDITLINE.COM