

NON-HAZARDOUS AREA

HAZARDOUS AREA

IMPORTANT: THIS IS A CONTROL DRAWING ONLY AND DOES NOT REFLECT THE ACTUAL LOCATIONS OF CONDUIT ENTRY (SEE NOTE 7 BELOW).

VEEDER-ROOT REQUIRES THAT ANYONE INSTALLING OUR EQUIPMENT MUST BE LEVEL I CERTIFIED. FOR MORE INFORMATION REGARDING THE HOME STUDY INSTALLERS COURSE CONTACT JOHN HOWELL 951-532-8599.

WARNING: IN INSTALLATION AND USE OF THIS PRODUCT, COMPLY WITH THE NATIONAL ELECTRICAL CODE; FEDERAL, STATE AND LOCAL CODES. IN ADDITION, TURN OFF POWER AND TAKE OTHER NECESSARY PRECAUTIONS DURING INSTALLATION, SERVICE AND REPAIR TO PREVENT PERSONAL INJURY, PROPERTY LOSS AND EQUIPMENT DAMAGE.

WARNING: DISCONNECT ALL POWER BEFORE MAKING ANY CONNECTIONS TO PREVENT DEATH, SERIOUS INJURY, EXPLOSION, OR ELECTRICAL SHOCK. MONITOR MUST NEVER BE OPERATED UNLESS THE FRONT COVER IS CLOSED OVER THE BARRIER TERMINALS IN THE INTRINSICALLY SAFE AREA.

- 1. INTRINSICALLY SAFE WIRING**
 BONDED CONDUIT MEANS THAT THE METALLIC SECTIONS OF CONDUIT ARE PERMANENTLY JOINED TO FORM AN ELECTRICALLY CONDUCTIVE PATH THAT WILL ASSURE ELECTRICAL CONTINUITY, AND THAT THE CONDUIT HAS THE CAPACITY TO CONDUCT ANY CURRENT LIKELY TO BE IMPOSED.
 BONDED & UNBONDED CONDUIT: THE WIRES BETWEEN THE MONITOR AND EACH PROBE/SENSOR LOCATION MUST BE #14, #16 OR #18 AWG STRANDED COPPER WIRES WITHIN A SHIELDED CABLE. SHIELDED CABLE MUST BE RATED AT LESS THAN 100 PICO FARAD PER FOOT AND MUST BE MANUFACTURED WITH A MATERIAL SUITABLE FOR THE ENVIRONMENT, SUCH AS BELDEN™ 88760.

CONNECT THE BARRIER GROUND TO THE EARTH GROUND BUS AT THE POWER DISTRIBUTION PANEL WITH #12 AWG (OR LARGER) CONDUCTOR.

- 3. Ⓞ** DENOTES FIELD WIRING CONNECTION USING WATERPROOF CONNECTORS SUPPLIED WITH THE PROBE(S) AND SENSOR(S).
4. INTRINSICALLY SAFE WIRING SHALL BE INSTALLED IN ACCORDANCE WITH ARTICLE 504-20 OF THE NEC, ANSI/NFPA 70.
5. TO MAINTAIN INTRINSIC SAFETY, PROBE/SENSOR WIRING MUST BE INSTALLED WITH EITHER SEALED CONDUIT OR DIRECT BURIAL METHODS. REFER TO "DIRECT BURIAL CABLE INSTALLATION", MANUAL NO. 576013-858.
6. ELECTRICAL RATING POWER INPUT 120 VAC, 50/60 HZ, 100 VA MAXIMUM.
7. THIS DOCUMENT IS NOT TO BE USED AS A SUBSTITUTE FOR SPECIFIC EQUIPMENT INSTALLATION MANUALS. FOR INSTALLATION DETAILS USE THE RESPECTIVE MANUAL:
 TJS-450(R) 576013-879
8. ALL CABINET PENETRATIONS MUST ENTER THROUGH A PRE-DRILLED CONDUIT KNOCKOUT.

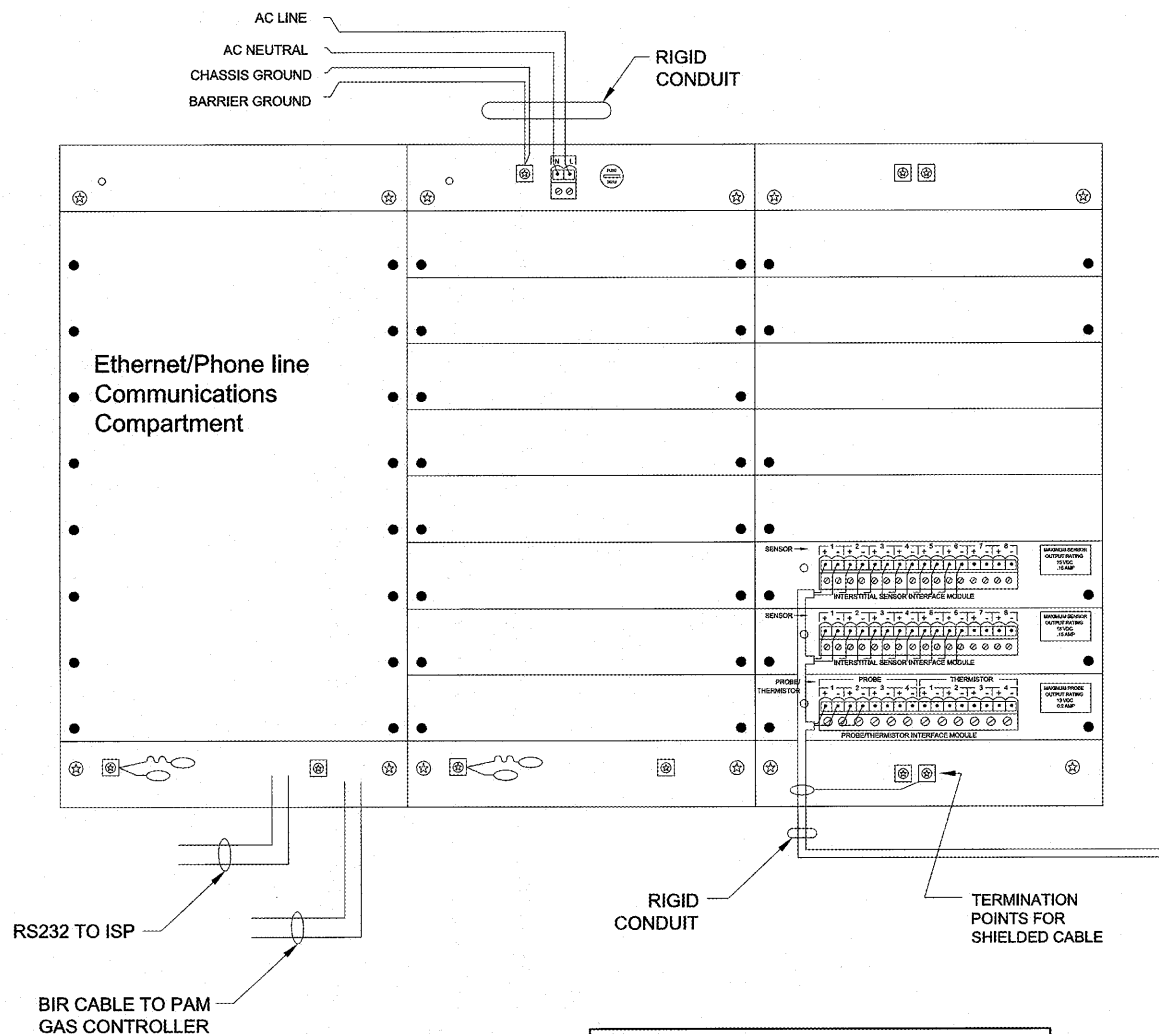


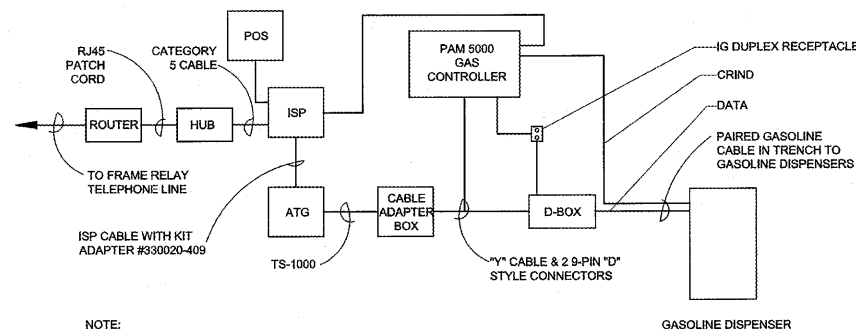
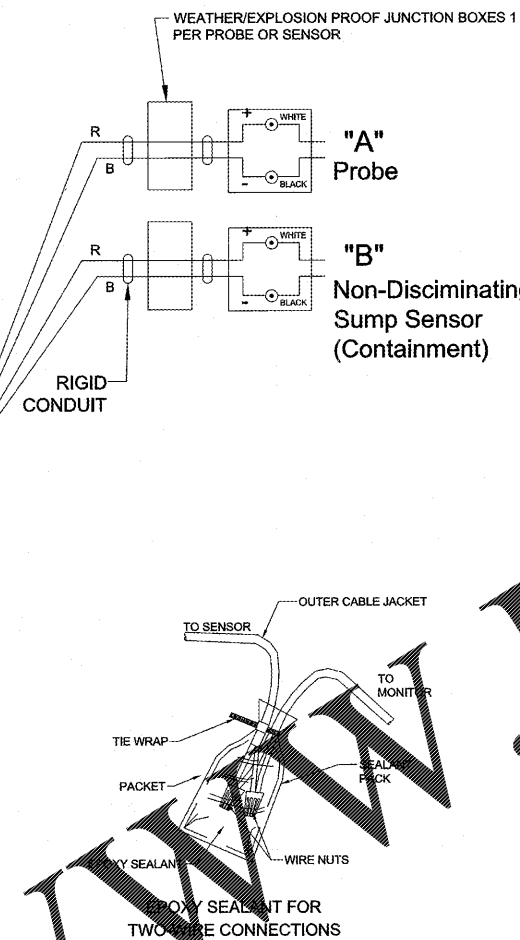
TABLE 1 • WIRE TYPES AND SIZES

CABLE TYPE	PROBE OR SENSOR
BELDEN 88760	PROBE, SUMP, LIQUID, AND VACUUM SENSOR
12 AWG THWN	AC POWER TO CONSOLE

REFER TO THE OWNER VEEDER ROOT INSTALLATION PROTOCOL GUIDE FOR SET UP AND CONFIGURATION OF REMOTELY MONITORED VEEDER ROOT EQUIPMENT.

CONTRACTOR SHALL PLACE A TYPEWRITTEN SENSOR SCHEDULE THAT INDICATES WHICH CHANNELS ARE ASSOCIATED WITH WHICH SENSOR.

1 SITE MONITORING WIRING SCHEMATIC
1 1/2" x 1'-0"



- NOTE:**
- HUB, ROUTER AND CABLES BY NCR INSTALLER
 - PAM GAS CONTROLLER, D-BOX, CRIND CONTROL CABLE, GAS CONTROLLER CABLE AND D-BOX CABLE INSTALLED BY THE GILBARCO AUTHORIZED SERVICE CONTRACTOR

2 POS GAS CONTROLLER DIAGRAM
NTS



HARRISON FRENCH & ASSOCIATES, PLLC
 1705 S. ... Blvd., Suite 3
 Bentonville, Arkansas 72712
 P 479.273.7780
 F 888.520.9685
 www.hfa-ae.com

STIPULATION FOR REUSE
 THIS DRAWING HAS BEEN PREPARED FOR THE USE OF A SPECIFIC PROJECT AND THE INFORMATION CONTAINED HEREIN IS NOT VALID FOR ANY OTHER PROJECT. ANY REUSE OF THIS DRAWING FOR ANY OTHER PROJECT WITHOUT THE WRITTEN CONSENT OF HARRISON FRENCH & ASSOCIATES, PLLC IS STRICTLY PROHIBITED. ANY REUSE OF THIS DRAWING FOR ANY OTHER PROJECT WITHOUT THE WRITTEN CONSENT OF HARRISON FRENCH & ASSOCIATES, PLLC IS STRICTLY PROHIBITED.

SAM'S MART
 4965 UNIVERSITY PARKWAY
 WINSTON-SALEM, NC 27106

ISSUE BLOCK

NO.	DESCRIPTION	DATE

STORE NO.:
 DOCUMENT DATE: 06-08-17
 CHECKED BY: JAC
 DRAWN BY: KRS
 PROTO CYCLE MAY-2017



HARRISON FRENCH AND ASSOCIATES, PLLC
 P-0402
 6-6-17

SITE MONITORING EQUIPMENT DIAGRAMS DETAILS

SHEET: **FSE8**

June 28, 2017, 2:04pm - User: krc@hfa.com
 Plot: 17-10000-Sams Mart - Winston-Salem, NC\HFA\SAMSHW01.dwg - FSES SITE MONITORING EQUIPMENT DIAGRAM DETAILS.dwg

Order Plans @ WWW.LDPLANS.COM