

**GENERAL NOTES**

- AFTER ALL UNDERGROUND PIPING AND ELECTRIC CONDUITS ARE INSTALLED AND DURING EXCAVATION, BACKFILLING, AND CONCRETE POURING; A CONTINUOUS HYDROSTATIC TEST SHALL BE PERFORMED ON ALL SUMPS AND SPILL BUCKETS TO ENSURE TIGHTNESS AND PROPER INSTALLATION.
- SUMP TO BE CLEANED OF DEBRIS AND DRIED AFTER TESTING.

**FS9 KEYNOTES**

- SOURCE NORTH AMERICA TO SUPPLY U-BOLTS TO SECURE PIPING TO CROSS BRACKETS SUPPLIED BY GILBARCO.
- CRITICAL - MUST HAVE 2" RAIN LIP ABOVE INTEGRAL MAIN LIP FRAME.
- SHEAR SECTIONS OF SHEAR VALVES SHALL BE MOUNTED FLUSH WITH TOP OF PAVEMENT.

**STIPULATION FOR REUSE**

THIS DRAWING AND ANY INFORMATION CONTAINED HEREIN IS THE PROPERTY OF HARRISON FRENCH ARCHITECTS ENGINEERS INTERIORS. IT IS TO BE USED ONLY FOR THE PROJECT AND SITE SPECIFICALLY IDENTIFIED ON THIS DRAWING. ANY REUSE OF THIS DRAWING OR INFORMATION CONTAINED HEREIN WITHOUT THE WRITTEN AUTHORIZATION OF HARRISON FRENCH ARCHITECTS ENGINEERS INTERIORS IS STRICTLY PROHIBITED. REPRODUCTION OF THIS DRAWING FOR ANY OTHER PROJECT WITHOUT THE WRITTEN AUTHORIZATION OF HARRISON FRENCH ARCHITECTS ENGINEERS INTERIORS IS STRICTLY PROHIBITED.

**SAM'S MART**  
4965 UNIVERSITY PARKWAY  
WINSTON-SALEM, NC 27106

**ISSUE BLOCK**


**STORE NO.:**

**DOCUMENT DATE:** 06-08-17

**CHECKED BY:** BKH

**DRAWN BY:** JMA

**PROTO CYCLE:** MAY-2017

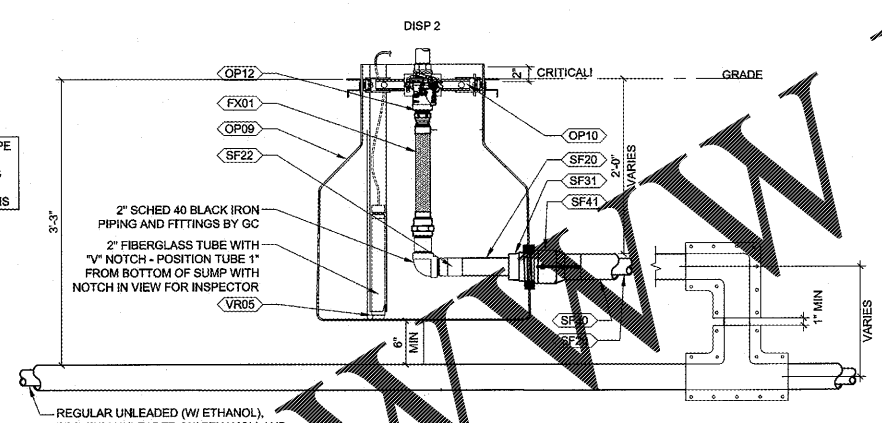
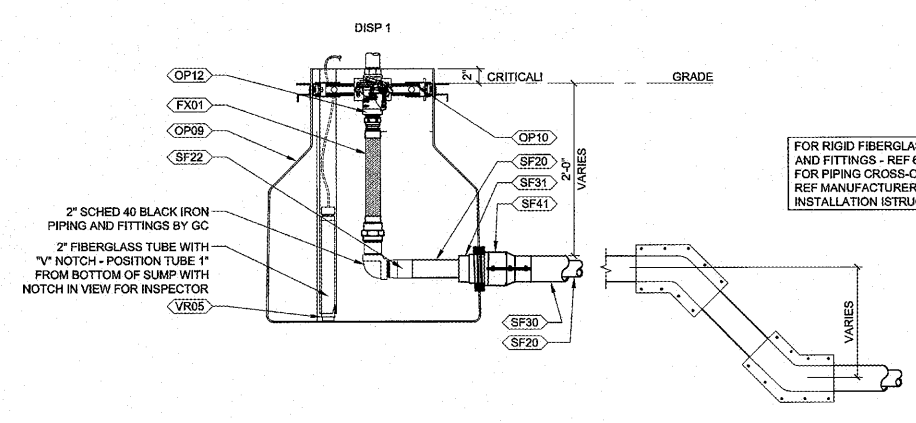


HARRISON FRENCH AND ASSOCIATES, PLLC  
P-0402

JUN 07 2017

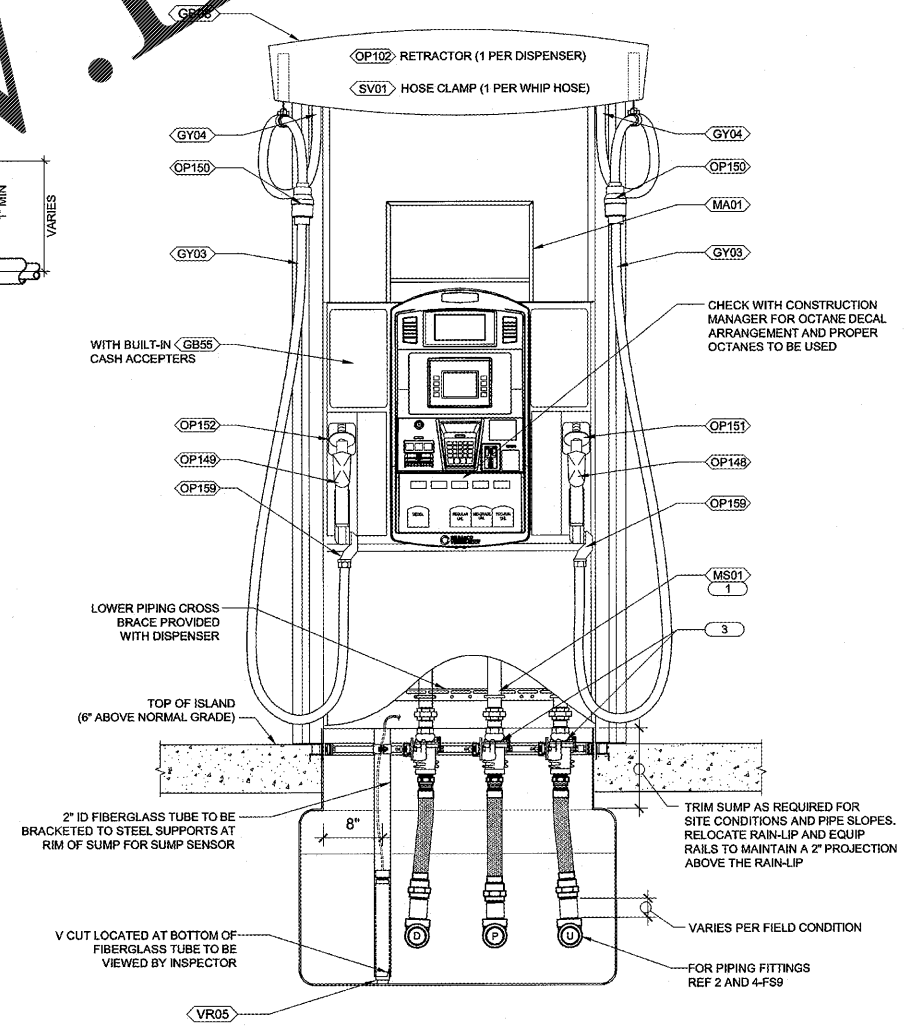
**DIESEL DISPENSER AND SUMP DETAILS**

**SHEET: FS9**

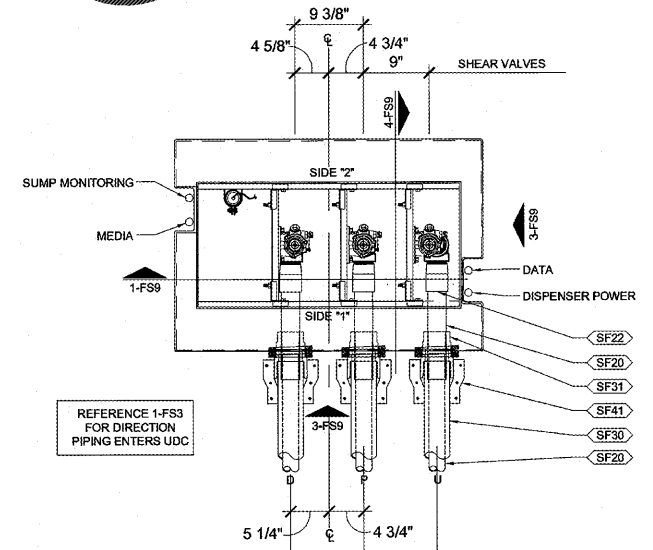


**4 DISPENSER SUMP SECTIONS**  
1" = 1'-0"

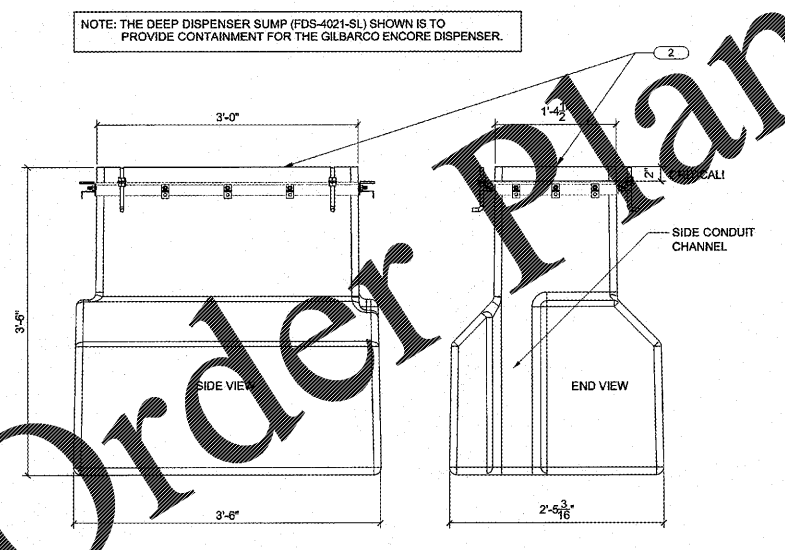
DISPENSERS SHALL BE PROGRAMMED TO LIMIT UNINTERRUPTED FUEL DELIVERY TO 25 GALLONS AND REQUIRE A MANUAL ACTION TO RESUME FUEL DELIVERY



**1 GILBARCO ENCORE 700S (3+1) DISPENSER**  
1" = 1'-0"



**2 DISPENSER SUMP PLAN VIEW**  
1" = 1'-0"



**3 DISPENSER SUMP ELEVATIONS**  
1" = 1'-0"

NOTE: THE DEEP DISPENSER SUMP (FDS-4021-SL) SHOWN IS TO PROVIDE CONTAINMENT FOR THE GILBARCO ENCORE DISPENSER.

FOR RIGID FIBERGLASS PIPE AND FITTINGS - REF 6-FS8 FOR PIPING CROSS-OVERS REF MANUFACTURER'S INSTALLATION ISTRUCTIONS

REGULAR UNLEADED (W/ ETHANOL), PREMIUM UNLEADED (W/ ETHANOL) AND DIESEL PRODUCT PIPING

REFERENCE 1-FS3 FOR DIRECTION PIPING ENTERS UDC

**Order Plans**

**WWW.LDILine.com**