

- 1 ELECTRICAL CONDUIT(S) TO ENTER SUMP 2" MIN ABOVE HIGHEST PRODUCT PENETRATION.
- 2 LOCATE ELECTRICAL JUNCTION BOX AT HIGHEST LOCATION IN SUMP RISER FOR EASY ACCESS FROM ABOVE.
- 3 SUMP SENSOR TO REST AT LOWEST POINT OF SUMP ENCLOSURE ON PRODUCT PIPING SIDE OF SUMP. FUEL GC TO SUPPLY ALL BRACKETS, CLAMPS FOR 2-POINT MOUNTING OF THE 2" FRP SLEEVES.
- 4 SET MANHOLE COVERS 1" ABOVE NORMAL AB GRADE AND SLOPE CONCRETE AWAY FROM COVERS AT 14" PER FOOT TYPICAL.
- 5 POSITION BALL VALVE FOR UNEXPECTED USE OF SHUT-OFF HANDLE.

HFA
ARCHITECTS
ENGINEERS
INTERIORS

HARRISON FRENCH
ASSOCIATES, PLLC

1015 S. Waterloo Rd, Suite 3
Murfreesboro, Tennessee 37132
TEL: 615.875.7700
F: 615.875.9685
www.hfa-ae.com

STIPULATION FOR REUSE
THIS DRAWING IS THE PROPERTY OF HARRISON FRENCH ASSOCIATES, PLLC. IT IS TO BE USED ONLY FOR THE PROJECT AND SITE SPECIFIC TO WHICH IT WAS PREPARED. IT IS NOT TO BE REPRODUCED, COPIED, OR TRANSMITTED IN ANY FORM OR BY ANY MEANS, WITHOUT THE WRITTEN PERMISSION OF HARRISON FRENCH ASSOCIATES, PLLC. ANY REUSE OF THIS DRAWING FOR ANY OTHER PROJECT WITHOUT THE WRITTEN PERMISSION OF HARRISON FRENCH ASSOCIATES, PLLC IS STRICTLY PROHIBITED.

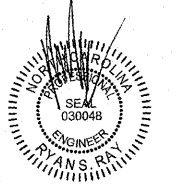
SAM'S MART
4965 UNIVERSITY PARKWAY
WINSTON-SALEM, NC 27106

JOB NUMBER: 07-17-80003

ISSUE BLOCK

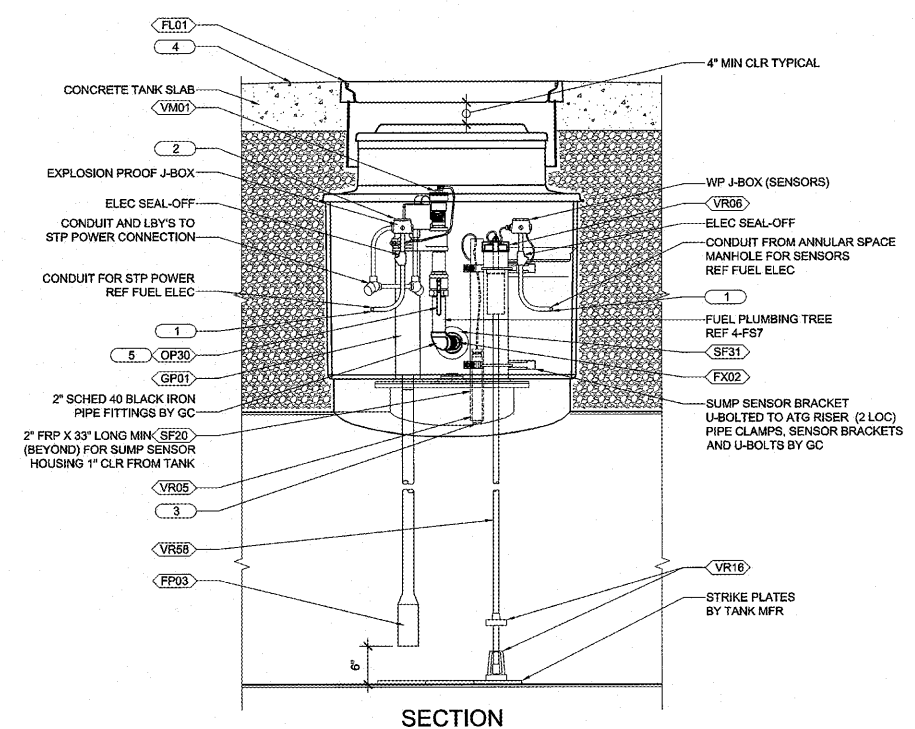
NO.	DATE	DESCRIPTION

STORE NO.:
DOCUMENT DATE: 06-08-17
CHECKED BY: BKH
DRAWN BY: JMA
PROTO CYCLE MAY-2017

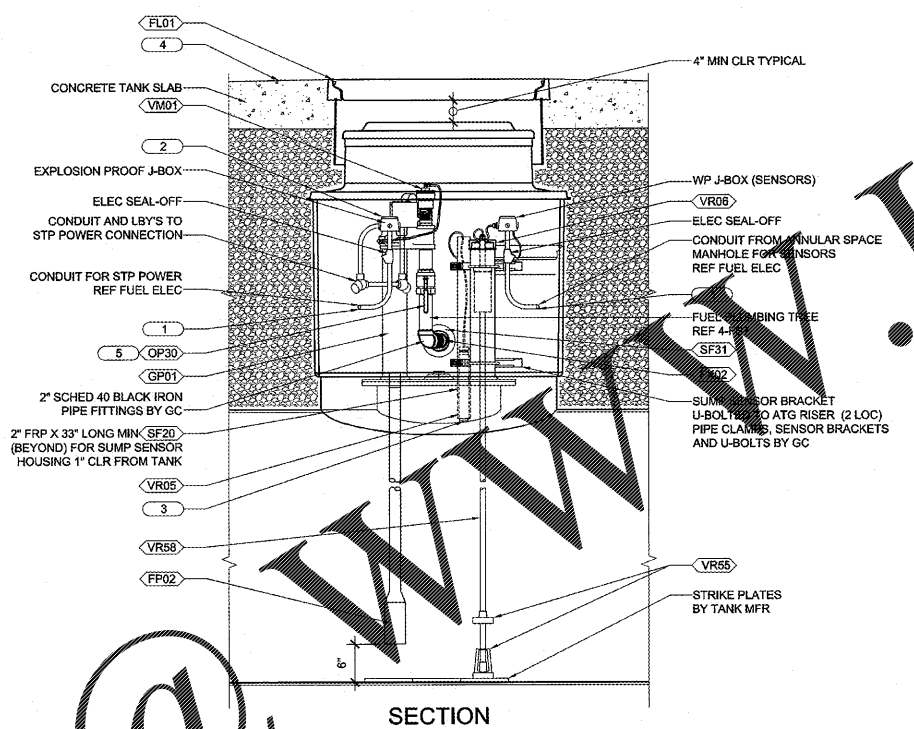


HARRISON FRENCH AND ASSOCIATES, PLLC
P-0402
JUN 07 2017

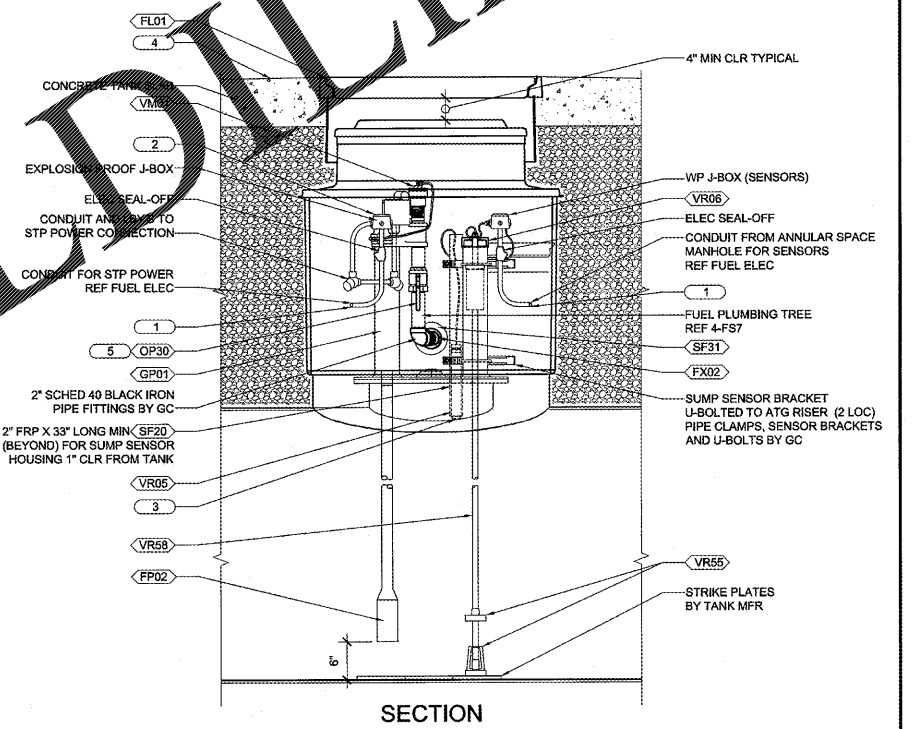
TANK SUMP DETAILS
SHEET: FS6



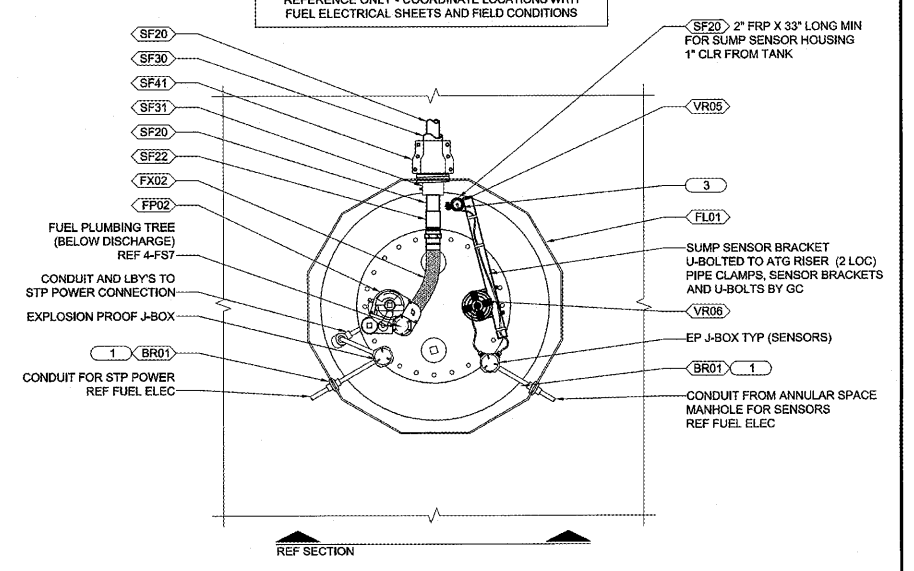
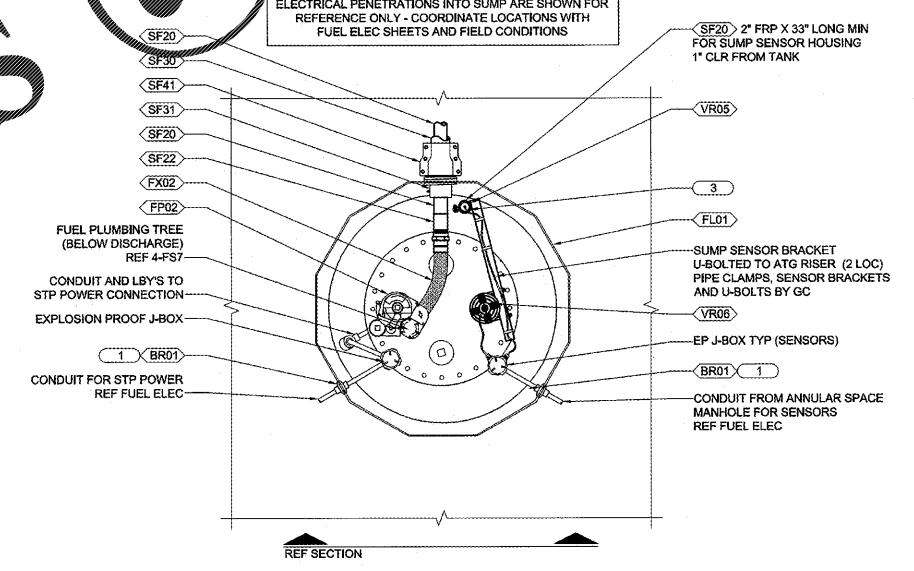
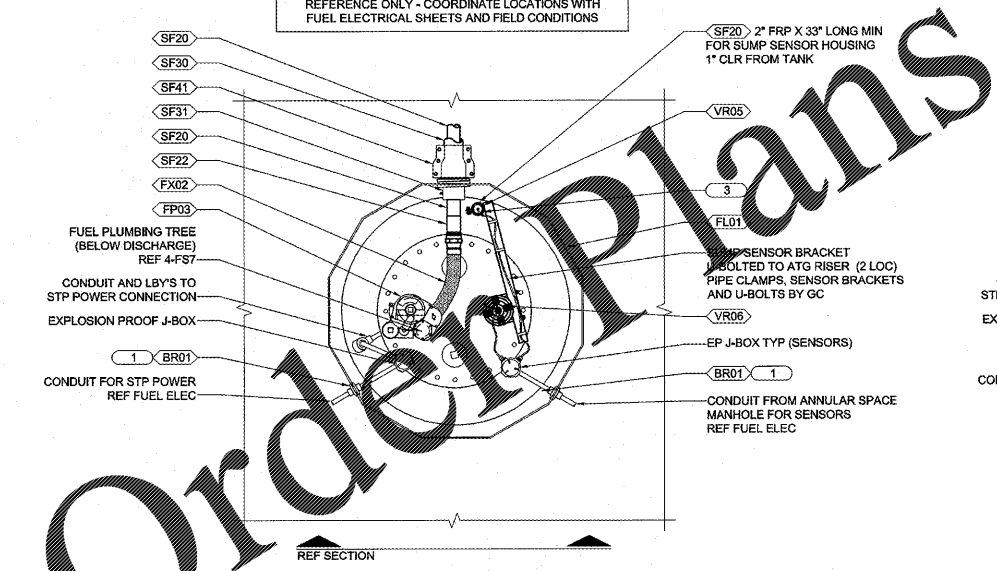
ELECTRICAL PENETRATIONS INTO SUMP ARE SHOWN FOR REFERENCE ONLY - COORDINATE LOCATIONS WITH FUEL ELECTRICAL SHEETS AND FIELD CONDITIONS



ROTATE VIEW AS REQUIRED FOR FIELD CONDITION
ELECTRICAL PENETRATIONS INTO SUMP ARE SHOWN FOR REFERENCE ONLY - COORDINATE LOCATIONS WITH FUEL ELEC SHEETS AND FIELD CONDITIONS



ELECTRICAL PENETRATIONS INTO SUMP ARE SHOWN FOR REFERENCE ONLY - COORDINATE LOCATIONS WITH FUEL ELECTRICAL SHEETS AND FIELD CONDITIONS



3 DIESEL STP SUMP DETAILS AT TANK #4
3/4"=1'-0"

2 PREMIUM AND EF-UNLEADED STP SUMP DETAILS AT TANKS #2 AND #3
3/4"=1'-0"

1 UNLEADED STP SUMP DETAILS AT TANK #1
3/4"=1'-0"

Jun08.2017 - 4:21pm - User: jpm
P:\07-17-80003\Sump Det - Unleaded.ssh - W:\mch-schm - NCF\Fuel Tank Sump Details.dwg

Order Plans