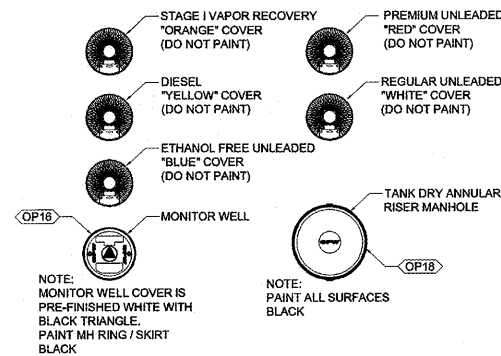
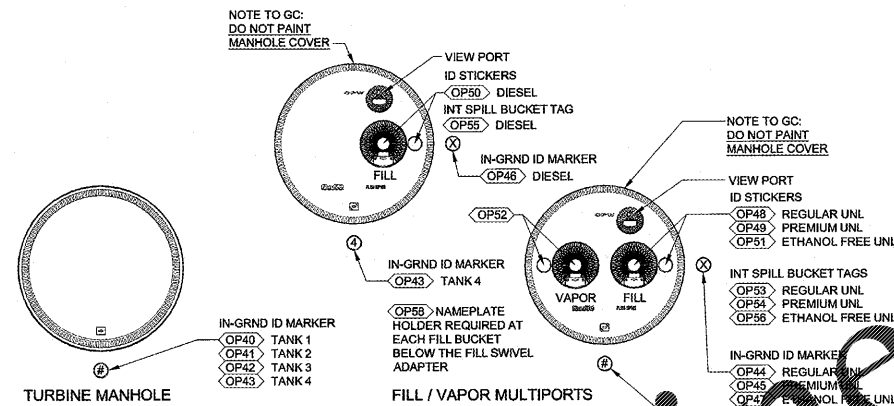


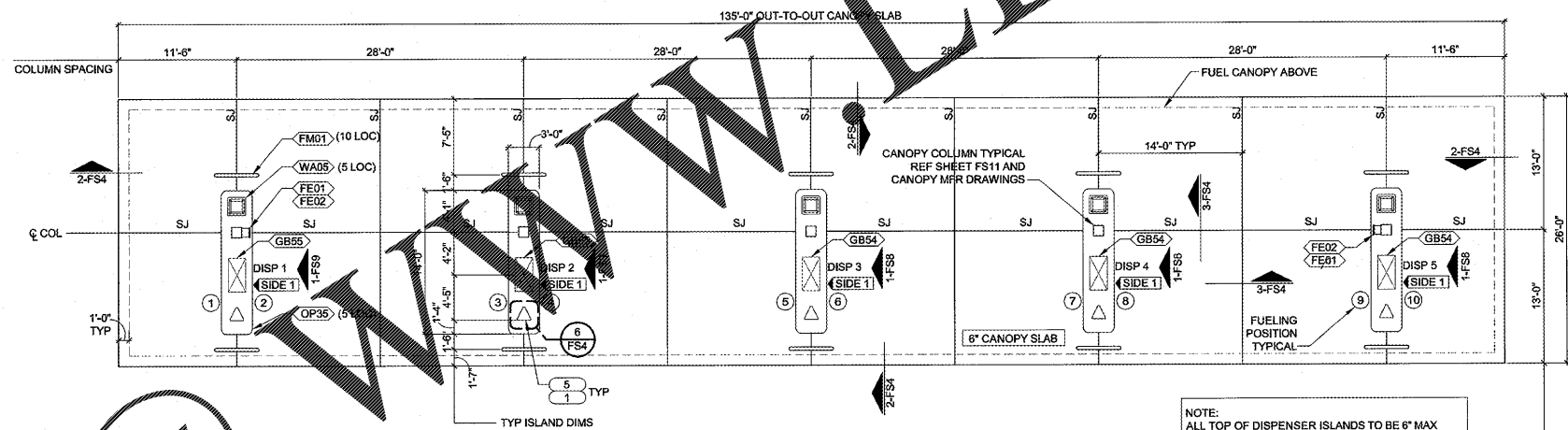
**6 SYNERGY WAVE BASE DETAIL**  
NO SCALE



**5 MANHOLE / LID COLOR SCHEDULE**  
NO SCALE



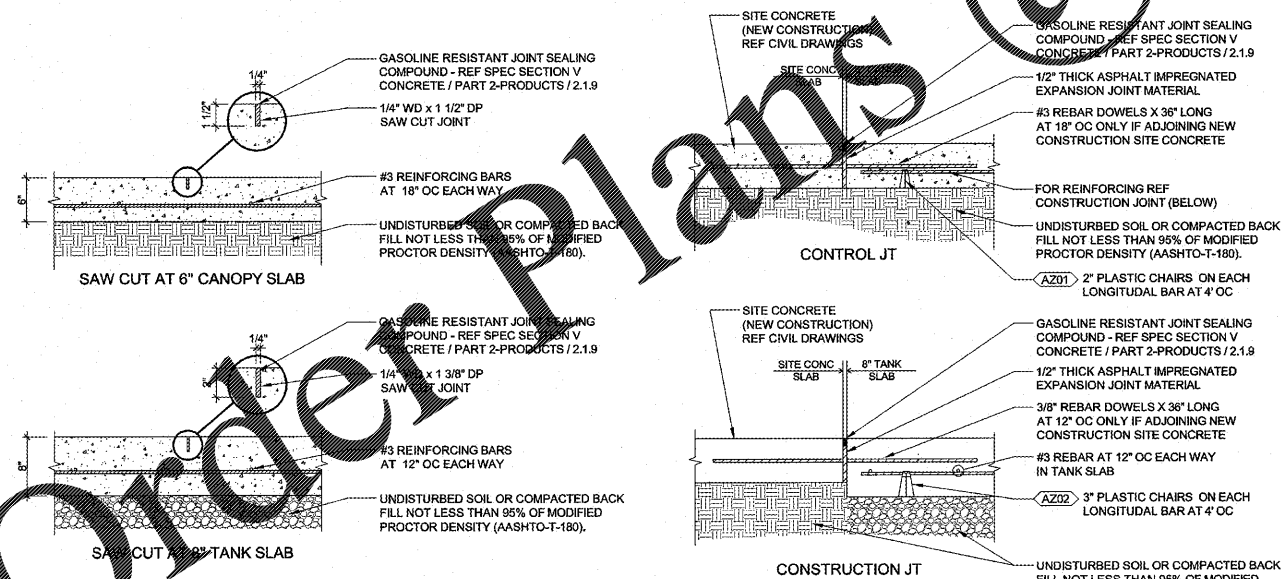
**4 CONCRETE TAG AND MARKER DETAILS**  
NO SCALE



NOTE: ALL TOP OF DISPENSER ISLANDS TO BE 6" MAX ABOVE NORMAL TOP OF CONCRETE.

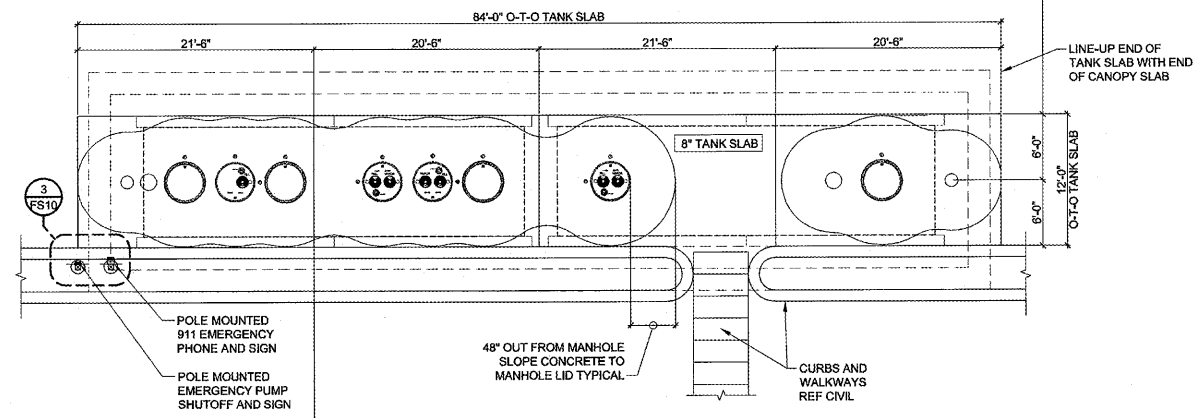
SJ = SAW JOINT REF 3-FS4  
CJ = CONSTR JOINT REF 2-FS4

NOTE: ALL TOP OF MANHOLE RING ELEVATIONS SHALL BE 1" ABOVE NORMAL GRADE. SLOPE CONCRETE 1/4" PER FT AT MANHOLES TYPICAL. AFTER MH RINGS ARE SET, DO NOT STAND ON MH LIDS TO INSTALL OR FINISH CONCRETE.



**3 SAW CUT DETAILS**  
1/8"=1'-0"

**2 CONSTRUCTION JOINT DETAILS**  
1/8"=1'-0"



**1 FUELING SLAB LAYOUT AND DIMENSIONAL PLAN**  
1/8"=1'-0"

STIPULATION FOR REUSE  
THIS DRAWING AND ANY INFORMATION CONTAINED HEREIN IS THE PROPERTY OF HARRISON FRENCH AND ASSOCIATES, PLLC. IT IS TO BE USED ONLY FOR THE PROJECT AND SITE SPECIFICALLY IDENTIFIED HEREIN. NO PART OF THIS DRAWING IS TO BE REPRODUCED OR TRANSMITTED IN ANY FORM OR BY ANY MEANS, ELECTRONIC OR MECHANICAL, INCLUDING PHOTOCOPYING, RECORDING, OR BY ANY INFORMATION STORAGE AND RETRIEVAL SYSTEM, WITHOUT THE WRITTEN PERMISSION OF HARRISON FRENCH AND ASSOCIATES, PLLC.

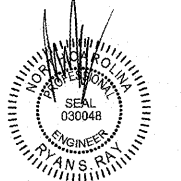
**SAM'S MART**  
4965 UNIVERSITY PARKWAY  
WINSTON-SALEM, NC 27106

JOB NUMBER: 07-17-80003

ISSUE BLOCK

NO.	DATE	DESCRIPTION

STORE NO:  
DOCUMENT DATE: 06-08-17  
CHECKED BY: BKH  
DRAWN BY: JMA  
PROTO CYCLE: MAY-2017



HARRISON FRENCH AND ASSOCIATES, PLLC  
P-0402

JUN 07 2017

**SLAB PLAN AND DETAILS**

SHEET: **FS4**