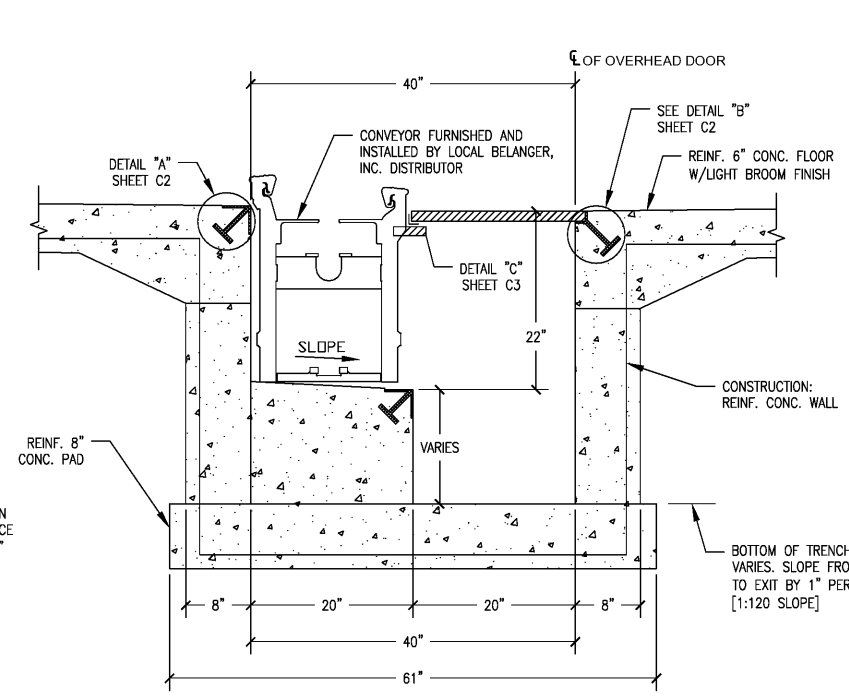
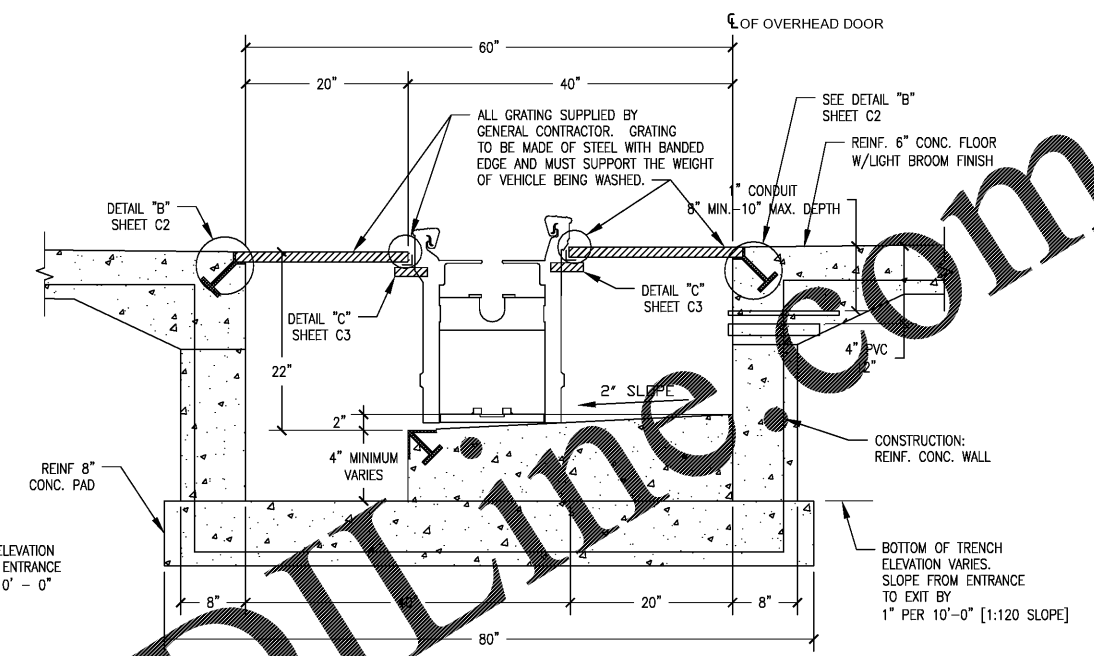


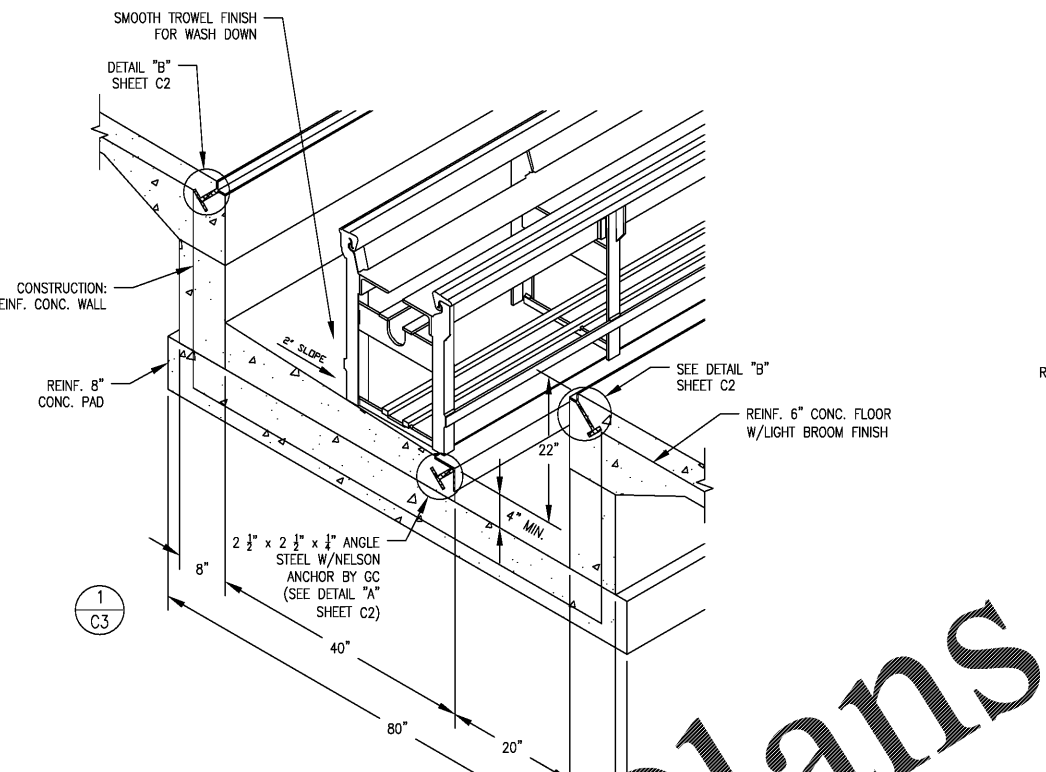
1 SECTION: ENTRANCE END CONVEYOR TRENCH
C3 SCALE: 1" = 1'-0"



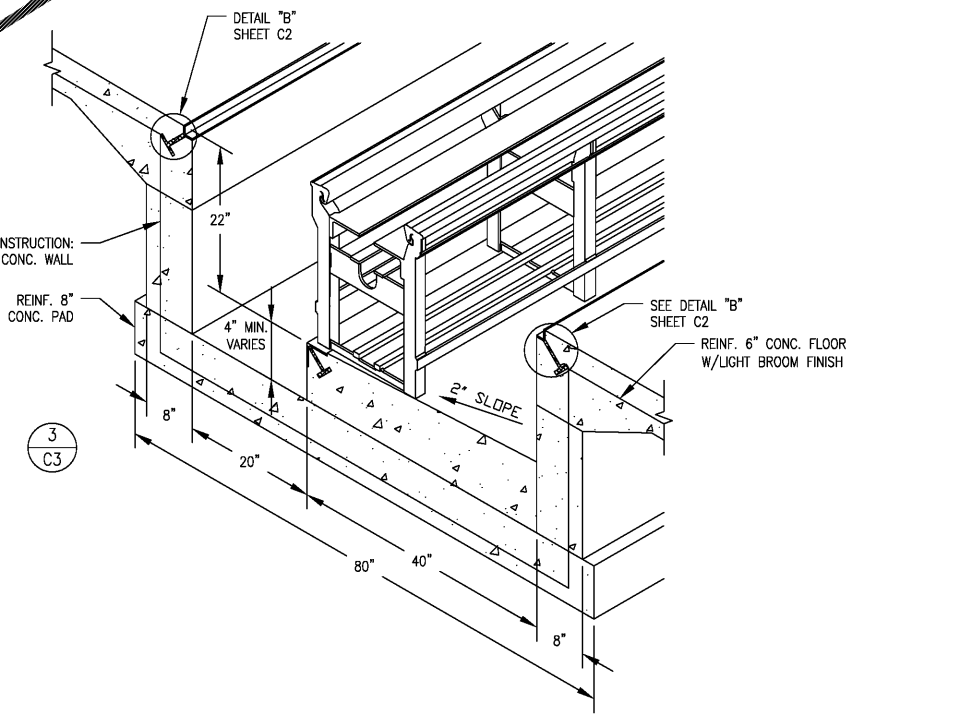
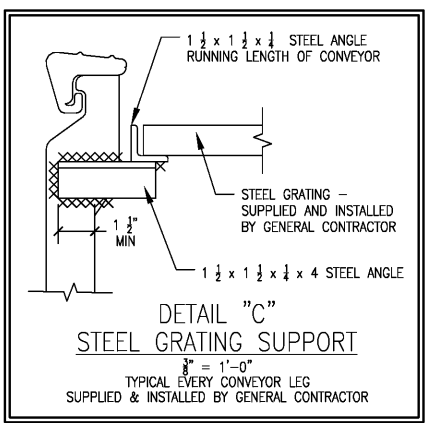
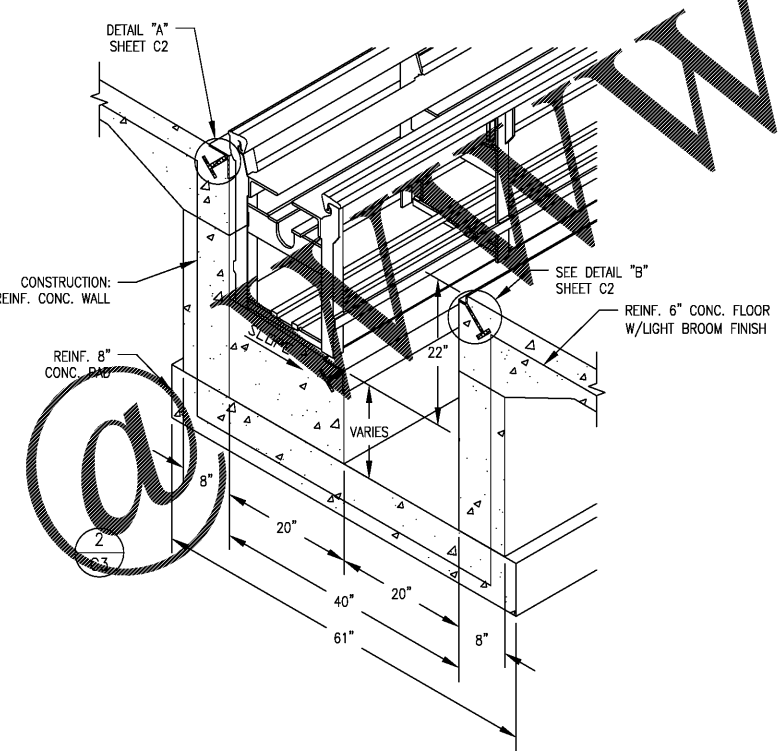
2 SECTION: CENTER CONVEYOR TRENCH
C3 SCALE: 1" = 1'-0"



3 SECTION: EXIT END CONVEYOR TRENCH
C3 SCALE: 1" = 1'-0"

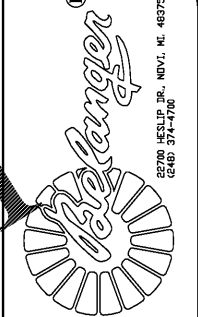


4 INGROUND CORRELATOR CONCRETE PIT SECTION
C3 SCALE: 3/4" = 1'-0"



5 SECTION: FLOOR SLOPE DETAILS
C3 SCALE: 3/4" = 1'-0"

BELANGER, INC. STANDARD NOTE TO CONTRACTORS:
THIS SET OF DRAWINGS AND DOCUMENTS IS PROVIDED AS A SET OF GUIDELINES FOR THE PROJECT. THEY MUST BE READ TO INCORPORATE ALL APPLICABLE FEDERAL, STATE AND LOCAL CODES INCLUDING FEDERAL A.D.A. REQUIREMENTS. THE SET ASSUMES THAT THERE ARE NO UNUSUAL SOIL CONDITIONS. THE FAILURE OF THIS CONDITION MAY REQUIRE SIGNIFICANT CHANGES TO THE DOCUMENTS. IT IS THE RESPONSIBILITY OF THE GENERAL CONTRACTOR TO REFER TO ALL APPLICABLE CODES AND TO INFORM THE OWNERS/ARCHITECTS OF ANY QUESTIONS OR CLARIFICATIONS WHICH ARE DESIRED. CONTRACTORS ARE ASSUMED TO KNOW ALL OBSERVANCE CONDITIONS.
THIS DRAWING IS AND SHALL REMAIN THE PROPERTY OF BELANGER, INC. USE, REPRODUCTION OR ALTERATION OF THIS DRAWING WITHOUT THE EXPRESSED WRITTEN PERMISSION OF BELANGER, INC. IS PROHIBITED.



SAMS EXPRESS - WINSTON SALEM
BELANGER TUNNEL SYSTEM
STANDARD CONVEYOR FLOOR PLAN DETAILS

DRAWN:	DATE:	DRAWN:	DATE:
S. MCBRIDE	5/19/17	S. MCBRIDE	5/19/17
CHECKED:	DATE:	APPROVED:	DATE:
S. MCBRIDE	5/19/17		
PAPER:	SCALE:	N.I.S.	
22"x34"			

PROJECT #:	WINSTON SALEM
SHEET #:	C3

ADDED TRENCH DRAIN AT ENTRANCE
DATE ENGR APPR DESCRIPTION
4/15/17
HARD COPY IS INTENDED TO BE 22"x34" WHEN PRINTED
SCALE(S) ARE NOT ACCURATE FOR ANY OTHER SIZE