

SAMS EXPRESS - WINSTON SALEM, NC
 BELANGER TUNNEL SYSTEM
 STANDARD CONVEYOR TRENCH DETAILS

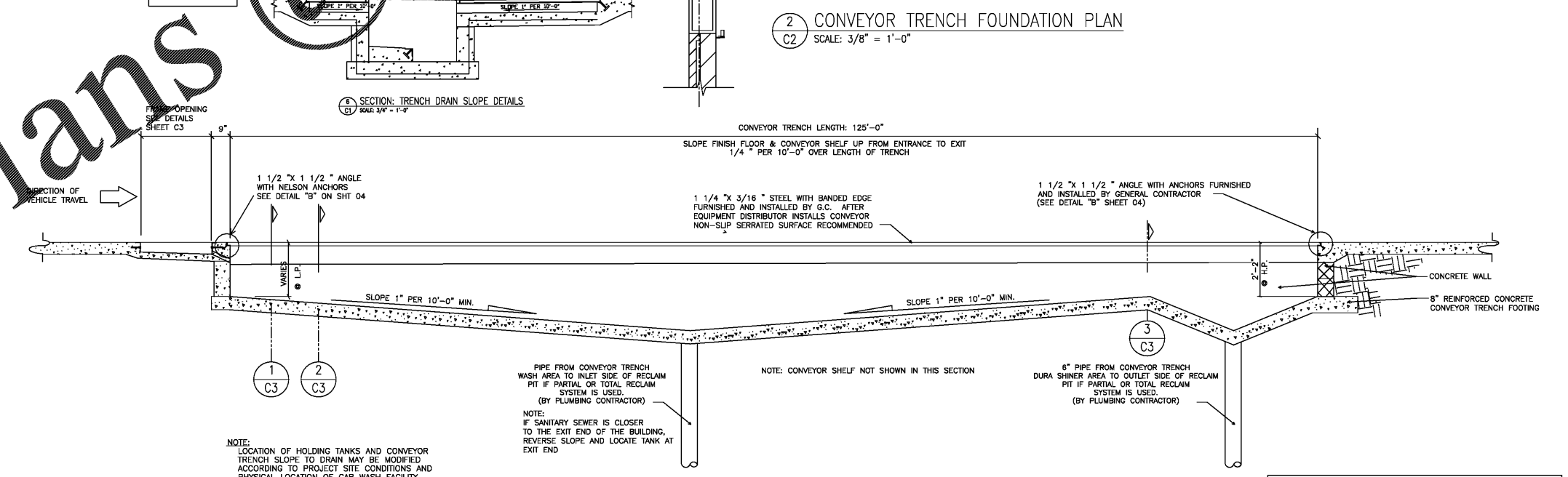
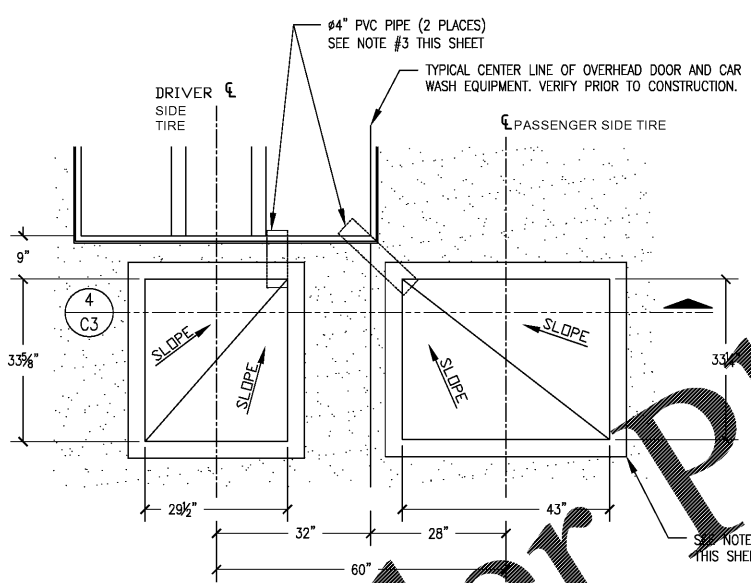
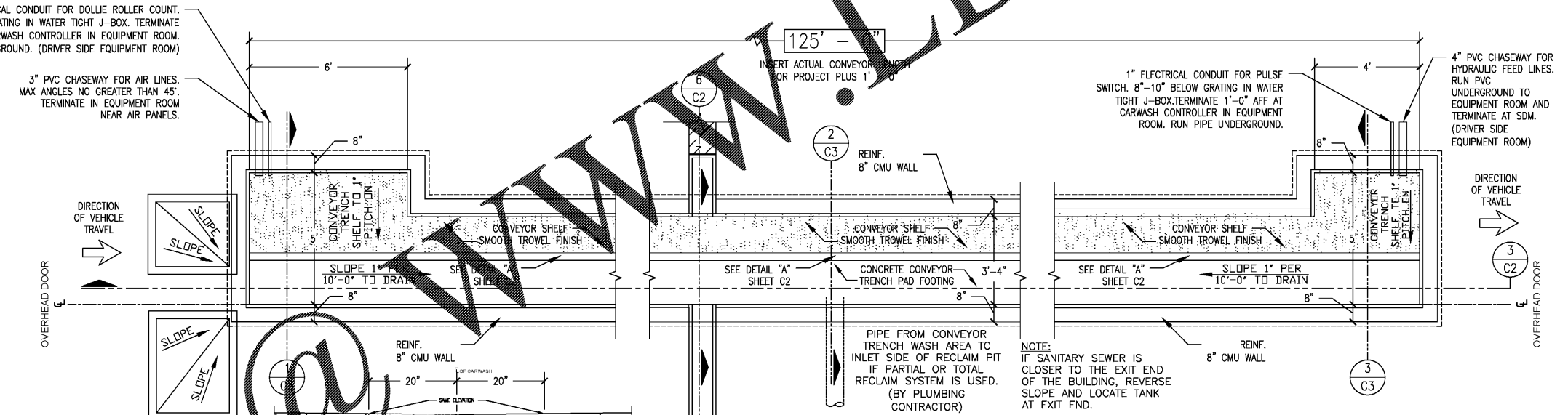
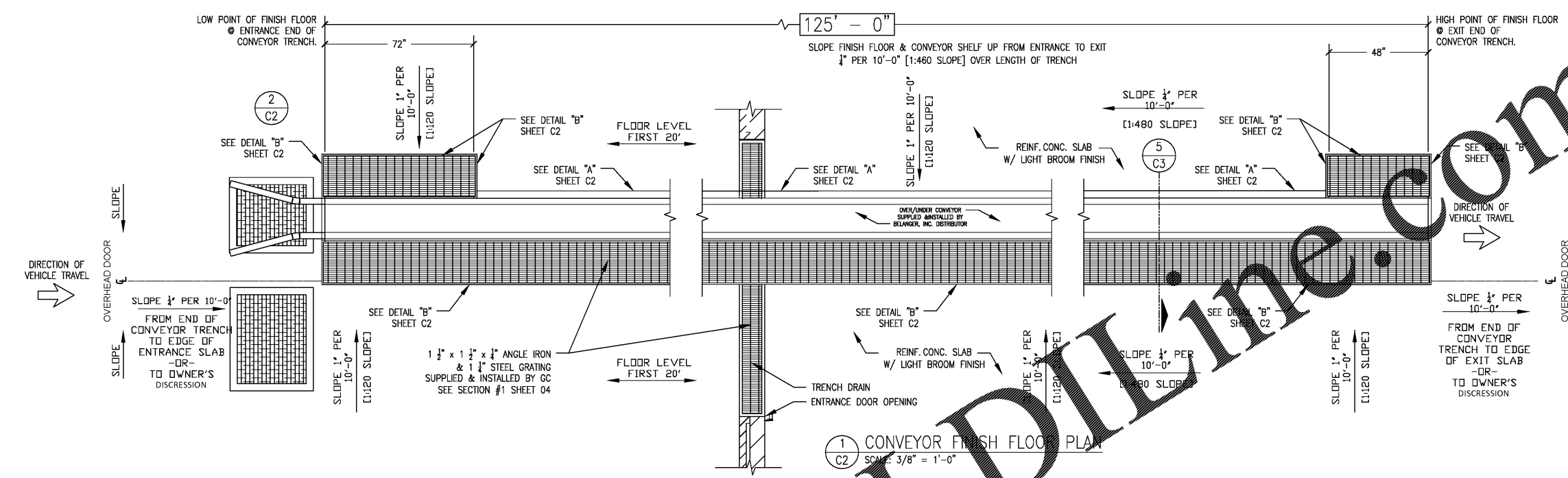
DATE: 5/19/17
 DRAWN: S. MCRIDE
 CHECKED: S. MCRIDE
 APPROVED: [Signature]
 SCALE: N/A
 PAPER: 22"x34"

ADDED HIGH PRESSURE PIPING
 REDUCED CONVEYOR TRENCH TO 125'
 ADDED TRENCH DRAIN AT ENTRANCE

| REV | DATE | ENGR | APPR | DESCRIPTION |
|-----|---------|------|------|---------------------------------|
| 3 | 6/1/17 | SM | SM | ADDED HIGH PRESSURE PIPING |
| 2 | 6/1/17 | SM | SM | REDUCED CONVEYOR TRENCH TO 125' |
| 1 | 4/13/17 | SM | SM | ADDED TRENCH DRAIN AT ENTRANCE |

PROJECT #:
 WINSTON SALEM

SHEET #:
 C2



BELANGER, INC. STANDARD NOTE TO CONTRACTOR: THIS SET OF DRAWINGS AND DOCUMENTS IS INTENDED AS A SET OF GUIDELINES FOR THE PROJECT. THEY MUST BE READ TO INCORPORATE ALL APPLICABLE FEDERAL, STATE AND LOCAL CODES INCLUDING FEDERAL A.D.A. REQUIREMENTS. THIS ASSUMES THAT THERE ARE NO UNUSUAL SOIL CONDITIONS. THE FAILURE OF THIS CONDITION MAY REQUIRE SIGNIFICANT CHANGES TO THESE DRAWINGS. IT IS THE RESPONSIBILITY OF THE GENERAL CONTRACTOR TO CONFORM TO ALL APPLICABLE CODES AND TO INFORM THE OWNERS/ARCHITECTS OF ANY QUESTIONS OR CLARIFICATIONS WHICH ARE DESIRED. CONTRACTORS ARE ASSUMED TO KNOW ALL OBSERVANCE CONDITIONS.

THIS DRAWING IS AND SHALL REMAIN THE PROPERTY OF BELANGER, INC. USE, REPRODUCTION OR ALTERATION OF THIS DRAWING WITHOUT THE EXPRESSED WRITTEN PERMISSION OF BELANGER, INC. IS PROHIBITED.

- RECOMMENDED CONVEYOR TRENCH CONSTRUCTION PROCEDURES
- POUR CONVEYOR TRENCH 8" PAD FOOTING
 - POUR WALLS
 - POUR FINISHED FLOOR IN CAR WASH BAY
 - POUR CONVEYOR SHELF LAST