

ALL DESIGNS, DRAWINGS AND SPECIFICATIONS DEPICTED ON THIS SHEET ARE THE PROPERTY OF R4 ARCHITECTURE, P.A. ANY UNAUTHORIZED USE OR REPRODUCTION IS SUBJECT TO LEGAL PROSECUTION. POSSESSION IN ANY FORM CONSTITUTES ACCEPTANCE OF THESE CONDITIONS. COPYRIGHT 2017.


LIGHTING FIXTURE SCHEDULE										
MARK	MANUF.	CATALOG NUMBER	LAMP DATA		VOLTS	BALLAST DATA		INPUT WATTS	MOUNTING	DESCRIPTION
			NO.	TYPE		NO.	TYPE			
CAN-SL	CREE	CAN-304-SL-R5-06-E-UL-WH-525	1	LED	120VOLT	-	-	101	SURFACE	SURFACE MOUNTED CANOPY LIGHTING FIXTURE.
PSa	CREE	SFT-304-PS-R1-06-E-12-WH-525	1	LED	120VOLT	-	-	101	SURFACE	SURFACE MOUNTED CANOPY LIGHTING FIXTURE.
PSb	CREE	PKG-304-PS-DM-04-E-UL-WH-700	1	LED	120VOLT	-	-	94	SURFACE	SURFACE MOUNTED CANOPY LIGHTING FIXTURE.
EHO-3M	CREE	ARE-EHO-3M-HV-12-E-UL-5V-1000	1	LED	120VOLT	-	-	421	POLE	SINGLE HEAD PARKING LOT LIGHTING FIXTURE. MOUNTING HEIGHT 22'-0" AFG.
EHO-4M	CREE	ARE-EHO-4M-HV-12-E-UL-5V-1000	1	LED	120VOLT	-	-	421	POLE	SINGLE HEAD PARKING LOT LIGHTING FIXTURE. MOUNTING HEIGHT 22'-0" AFG.

NOTES:
 1. CATALOG NUMBERS AND MANUFACTURERS ARE TO INDICATE TYPE AND QUALITY OF FIXTURE DESIRED. SUBMIT CUTSHEETS OF THESE AND ALTERNATE MANUFACTURERS FOR ARCHITECT AND OWNER APPROVAL PRIOR TO PURCHASE OF ANY FIXTURES. INFORMATION ON ALTERNATE FIXTURES PROPOSED BY THE CONTRACTOR SHALL INCLUDE THE ADD/DEDUCT ASSOCIATED WITH ACCEPTANCE OF THAT FIXTURE (OR THE ALTERNATE PACKAGE AS A WHOLE).
 2. MASTER SLAVE WIRING CONFIGURATIONS SHALL BE USED FOR MULTI-LAMP FLUORESCENT FIXTURES WHERE POSSIBLE. THE CONTRACTOR SHALL VERIFY THE QUANTITY AND TYPE OF BALLASTS REQUIRED TO PERMIT BI-LEVEL SWITCHING WHERE INDICATED. WHERE BI-LEVEL LIGHTING IS INDICATED INBOARD AND OUTBOARD LAMPS SHALL BE SWITCHED SEPARATELY. EXIT AND EMERGENCY LIGHTING FIXTURES SHALL BE CIRCUITED TO AN UNSWITCHED LEG OF THE LOCAL LIGHTING CIRCUIT, UNLESS NOTED OTHERWISE.

NOTES:
 1. PRIOR TO STARTING ANY UNDERGROUND SERVICE WORK, THE CONTRACTOR SHALL CONTACT THE LOCAL ELECTRICAL UTILITY SERVICE REPRESENTATIVE AND COORDINATE REQUIREMENTS FOR THE TRANSFORMER LOCATION, CONCRETE PAD REQUIREMENTS, SECONDARY CONDUIT AND WIRE AND TIERSING REQUIREMENTS. ALL WORK AND ANY COST RELATIVE TO THE ABOVE THAT IS THE CONTRACTOR'S RESPONSIBILITY SHALL BE INCLUDED AS PART OF THIS CONTRACT.
 2. ELECTRICAL CONTRACTOR SHALL COORDINATE WITH LOCAL TELEPHONE COMPANY TO PROVIDE A COMPLETE UNDERGROUND SERVICE INSTALLATION INTO THE BUILDING. ELECTRICAL CONTRACTOR SHALL PROVIDE (3) 4" CONDUITS WITH PULL CORDS FROM THE TELEPHONE BACKBOARD INSIDE THE BUILDING ROUTED OUTSIDE TO DEMARCATION POINT PER RICHTER AND ASSOCIATES ELECTRICAL PLANS.
 3. ELECTRICAL CONTRACTOR SHALL COORDINATE WITH LOCAL CATV COMPANY TO PROVIDE A COMPLETE UNDERGROUND SERVICE INSTALLATION INTO THE BUILDING. ELECTRICAL CONTRACTOR SHALL PROVIDE (2) 4" CONDUITS WITH PULL CORDS FROM THE CATV BACKBOARD INSIDE THE BUILDING ROUTED OUTSIDE TO DEMARCATION POINT PER RICHTER AND ASSOCIATES ELECTRICAL PLANS.

NOTES:
 ① PROVIDE (1) 1" DATA CONDUIT AND (1) 1" POWER CONDUIT FROM PAYSTATION TO EQUIPMENT ROOM.
 ② PROVIDE (1) 1" CONDUIT BETWEEN PAYSTATIONS.
 ③ PROVIDE (3) 2" CONDUITS AND (3) 1" CONDUITS FOR VACUUM SENSORS.
 ④ APPROXIMATE LOCATION OF MDP IN EQUIPMENT ROOM. FIELD VERIFY LOCATION AND CONDUIT ROUTING.
 ⑤ APPROXIMATE LOCATION OF CATV IN EQUIPMENT ROOM. FIELD VERIFY LOCATION AND CONDUIT ROUTING.
 ⑥ APPROXIMATE LOCATION OF TELE/COMM IN EQUIPMENT ROOM. FIELD VERIFY LOCATION AND CONDUIT ROUTING.
 ⑦ PROVIDE 1/2" CONDUIT BETWEEN GATES.
 ⑧ PROVIDE (1) 1" CONDUIT UNDERGROUND TO ELECTRICAL PANEL "A" FOR ELECTRICAL CONNECTION. FIELD VERIFY CONDUIT ROUTING.
 ⑨ PROVIDE CONDUITS AND CONDUCTORS FROM VACUUM CONTROL PANEL TO VACUUM ASSEMBLIES. COORDINATE LOCATIONS WITH OWNER.


⑩ PROVIDE (4) #2/0, #6G IN 2" CONDUIT FROM VACUUM CONTROL TO 200A/3P DISCONNECT IN NEMA 3R ENCLOSURE TO EACH VACUUM PUMP.
 ⑪ PROVIDE CONDUITS AND CONDUCTORS FROM VACUUM CONTROL PANEL TO VACUUM ASSEMBLIES. COORDINATE LOCATIONS WITH OWNER.
 ⑫ PROVIDE (4) #3/0, #6G IN 2" CONDUIT FROM VACUUM CONTROL TO 200A/3P DISCONNECT IN NEMA 3R ENCLOSURE TO EACH VACUUM PUMP.
 ⑬ VACUUM CONTROL PANEL.
 ⑭ PROPOSED ELECTRICAL SERVICE TRANSFORMER LOCATION. COORDINATE EXACT LOCATION WITH LOCAL UTILITY PRIOR TO PROJECT START UP.
 ⑮ ELECTRICAL SERVICE ENTRANCE LOCATION.
 ⑯ ELECTRICAL METER CAN.
 ⑰ AIR SOLUTIONS ELECTRONIC AIR TOWER. FIELD VERIFY LOCATION PRIOR TO INSTALLATION. VERIFY ELECTRICAL CONNECTION WITH MANUFACTURERS INSTALLATION REQUIREMENTS.
 ⑱ ELECTRICAL CONTRACTOR TO PROVIDE AND INSTALL SECONDARY CONDUIT AND WIRING. FIELD VERIFY ROUTING PRIOR TO INSTALLATION. SEE ELECTRICAL RISER DIAGRAM FOR WIRE AND CONDUIT SIZE.
 ⑲ PROVIDE HP SPEAKERS IN CANOPY EQUALLY SPACED. SPEAKER INSTALLER TO FIELD VERIFY LOCATION, WIRING AND SPEAKER TYPE.
 ⑳ PROVIDE 1" UNDERGROUND CONDUIT TO MEDIA CENTER. FIELD COORDINATE EXACT CONDUIT TERMINATION LOCATION WITHIN BUILDING.
 ㉑ PRIMARY BY UTILITY, E.G. TO PROVIDE (2) 6" PVC CONDUITS UNDER PAVEMENT TO PROPERTY LINE AS DIRECTED BY LOCAL UTILITY.
 ㉒ FIELD COORDINATE EXACT CONDUIT TERMINATION LOCATION WITH UTILITY PRIOR TO PROJECT START UP.



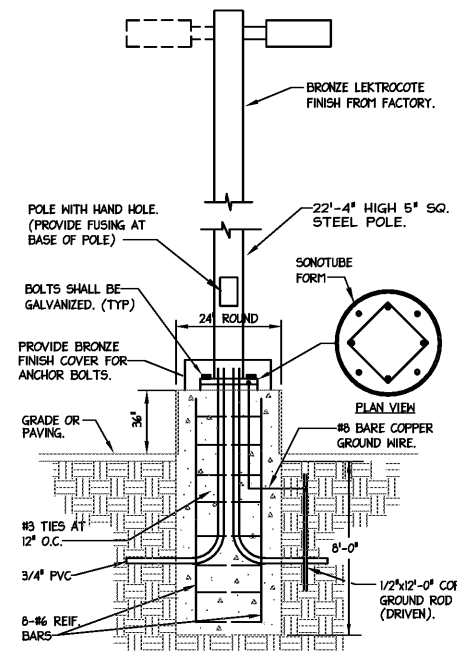
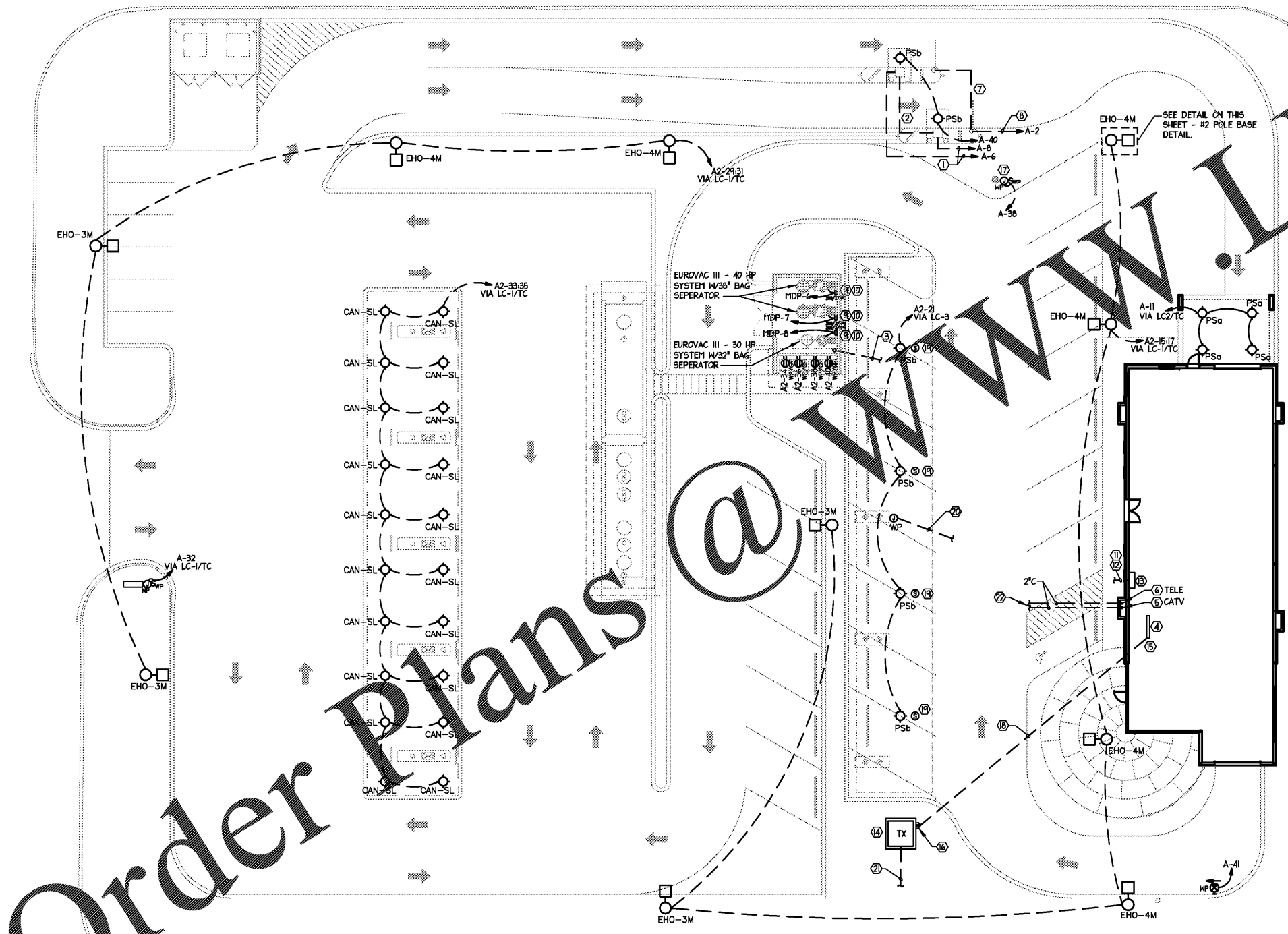
SABER ENGINEERING
 2923 South Tryon Street, Suite 200
 Charlotte, North Carolina 28209
 tel 704.373.0068
 MECHANICAL ELECTRICAL PLUMBING

Project
 Sam's Xpress Car Wash
 4965 University Parkway
 Winston-Salem, NC 27106

Owner
 Sam's Mart
 733 Council Place
 Suite 200
 Matthews, NC 28105



June 15, 2017



2 POLE BASE DETAIL
 NO SCALE

1 ELECTRICAL SITE LIGHTING PLAN
 1/16" = 1'-0"



Order Plans @

UNAWARDED



124 Floyd Smith Dr
Suite 375
Charlotte, NC 28262
 Tel - 704 - 688-7500

7301 Rivers Avenue
Suite 188
North Charleston, SC 29406
 Tel - 843 - 531-6848

www.R4architecture.com

Revision	Date

Drawn By SABER
Checked By SABER
Issue Date 06.15.17
Project No 170382

Sheet Title
 ELECTRICAL
 SITE LIGHTING PLAN

Sheet Number
E102