


ALL DESIGNS, DRAWINGS AND SPECIFICATIONS DEPICTED ON THIS SHEET ARE THE PROPERTY OF R4 ARCHITECTURE, P.A. ANY UNAUTHORIZED USE OR REPRODUCTION IS SUBJECT TO LEGAL PROSECUTION. PERMISSION IN ANY FORM CONSTITUTES ACCEPTANCE OF THESE CONDITIONS. COPYRIGHT 2017

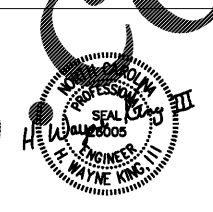


**Project**  
 Sam's Xpress Car Wash  
 4965 University Parkway  
 Winston-Salem, NC 27106


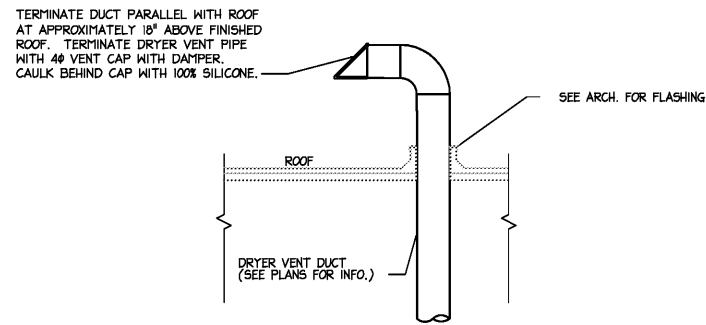
**Owner**  
 Sam's Mart  
 7900 Courthouse Place  
 Suite 200  
 Matthews, NC 28105

2923 South Tryon Street, Suite 282  
 Charlotte, North Carolina 28217  
 tel 704.373.0068

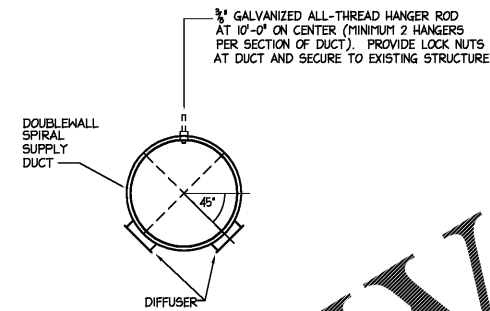
MECHANICAL ELECTRICAL PLUMBING



June 15, 2017

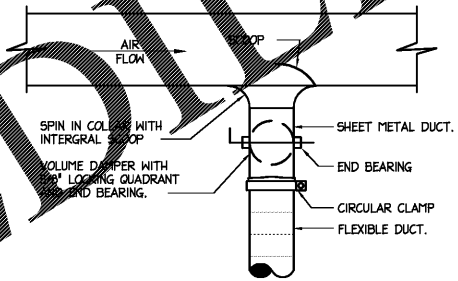



**1 DRYER VENT ROOF PENETRATION**  
NO SCALE



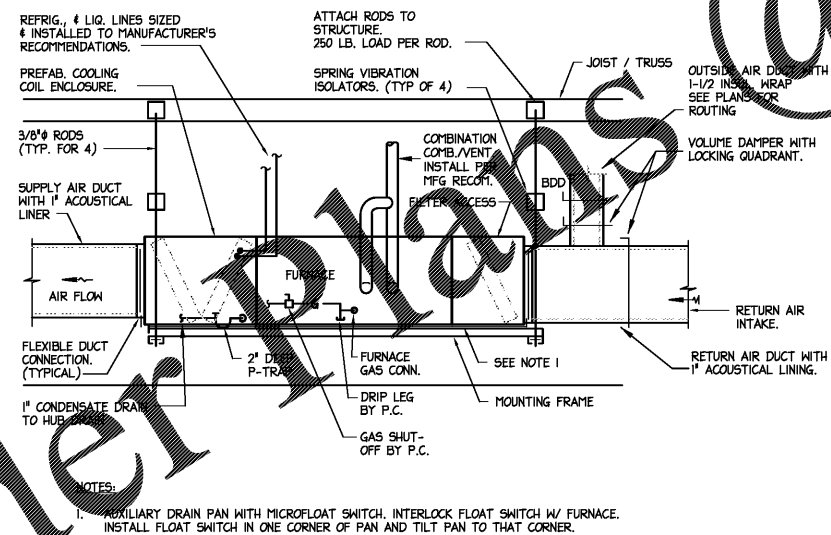
- NOTES:**
1. DUCTWORK SHALL BE INSTALLED LEVEL.
  2. SUPPLY DUCTWORK SHALL BE SPIRAL DUCTWORK WITH A PAINT GRIP FINISH.

**2 SPIRAL DUCT DETAIL**  
NO SCALE

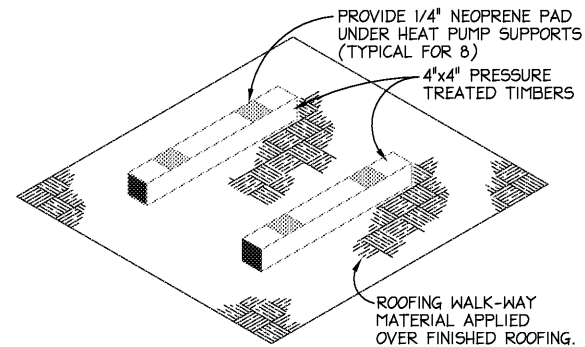


- NOTES:**
1. SEE FLOOR PLANS AND SPECIFICATIONS FOR DUCT INSULATION REQUIREMENTS.
  2. TAP OFF TOP/SIDE/BOTTOM OF DUCT AS REQUIRED.

**3 BRANCH TAKEOFF TO SINGLE OUTLET**  
NO SCALE

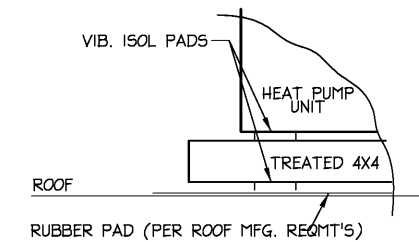


**4 FURNACE DETAIL**  
NO SCALE



- NOTE:**
1. ALL HEAT PUMP UNITS LOCATED ON THE ROOF SHALL BE MOUNTED AS SHOWN.
  2. ALL HEAT PUMP UNITS TO BE EQUIPPED WITH VIBRATION ISOLATORS.

**5 HEAT PUMP UNIT ROOF MOUNTING DETAIL**  
NO SCALE



**6 CONDENSING UNIT PAD DETAIL**  
NO SCALE

**R4**  
 ARCHITECTURE, P.A.

124 Floyd Smith Dr  
 Suite 375  
 Charlotte, NC 28262  
 Tel - 704 - 688-7500

7301 Rivers Avenue  
 Suite 188  
 North Charleston, SC 29406  
 Tel - 843 - 531-6848

www.R4architecture.com

Revision	Date
----------	------

<b>Drawn By</b>	SABER
<b>Checked By</b>	SABER
<b>Issue Date</b>	06.15.17
<b>Project No</b>	170382

**Sheet Title**  
 MECHANICAL  
 DETAILS

**Sheet Number**

**M300**