

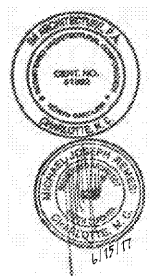
### Interior Finish Schedule

No.	Room Name	Floor	Base	Walls								Ceiling		Notes
				UP		DOWN		RIGHT		LEFT		Height	Finish	
				Material	Finish	Material	Finish	Material	Finish	Material	Finish			
101	Office	CS-1	1x6	GB	P-2/DP	Glass & GB	P-1	Glass & GB	P-2/DP	GB	P-2/DP	10'-0"	AC-1	Diamond Plate Wainscot 1x6 Base and 1x4 Chair Rail, paint grade Poplar
102	Viewing Corridor	CS-1	1x6	Glass & GB	P-1	GB	P-1/DP	GB	P-1/DP	GB	P-2/DP	12'-0"	Exposed Structure, P-5	Diamond Plate Wainscot 1x6 Base and 1x4 Chair Rail, paint grade Poplar
103	Equipment Room	Conc Seal		GB / PW	P-2	CMU	P-2	GB & PW	P-2	GB & PW	P-2	12'-0"	Exposed Structure	Plywood to 8'-0"
104	Women	CS-1	T-2	Durock	T-1,2,3	Durock	T-1,2,3	Durock	T-1,2,3	Durock	T-1,2,3	9'-0"	GB, P-2	See 4/A501 for exact tile and location
105	Men	CS-1	T-2	Durock	T-1,2,3	Durock	T-1,2,3	Durock	T-1,2,3	Durock	T-1,2,3	9'-0"	GB, P-2	See 4/A501 for exact tile and location
106	Electric Room	Conc Seal		GB / PW	P-2	CMU	P-2	GB	P-2	GB	P-2	12'-0"	GB, P-2	Plywood to 8'-0"
107	Lounge	CS-1	1x6	Glass&GB	P-1	Glass & GB	P-1	GB	P-1/DP	Glass & GB	P-1	27'-0"	Exposed Structure, P-6	1x6 Base and 1x4 Chair Rail, paint grade Poplar
108	Wash Bay	Conc P-4	PW	Glass&CMU	QL	Glass&PW	QL	CMU	QL	CMU	QL	12'-0"	QL	
	Maint. Mezz.	PW		GB	P-2	GB	P-2	GB	P-2	GB	P-2	+8'-0"	Exposed Structure, P-2	Curved roof above, exposed structure height varies.

NOTE: WALL AND CEILING FINISHES SHALL COMPLY WITH 803. FLOORING FINISHES SHALL COMPLY WITH 804 OF NCBC. PER 1210.2 OF NCBC, WALLS AND PARTITIONS WITHIN 2 FEET OF URINALS AND TOILETS SHALL HAVE A SMOOTH, HARD, NONABSORBENT SURFACE TO A HEIGHT OF 4 FEET ABOVE FLOOR.

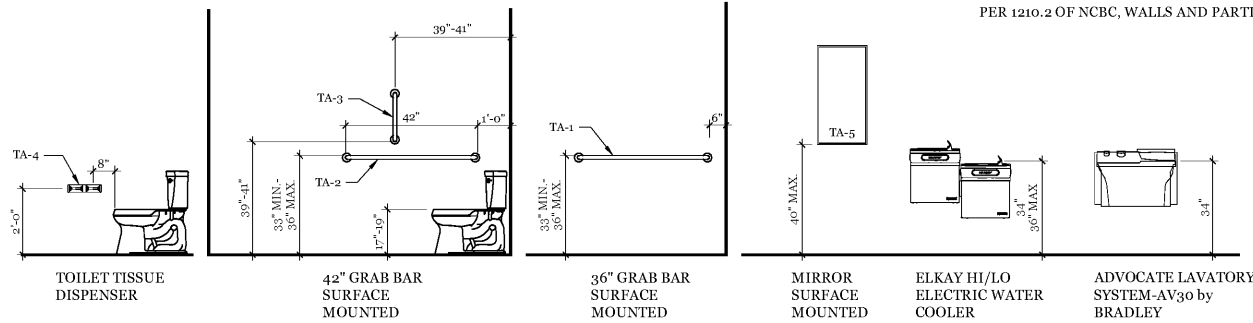
**Project**  
Sam's Xpress Car Wash  
4965 University Parkway  
Winston-Salem, NC 27106

**Owner**  
Sam's Market  
7933 Council Place  
Suite 100  
Matthews, NC 28105



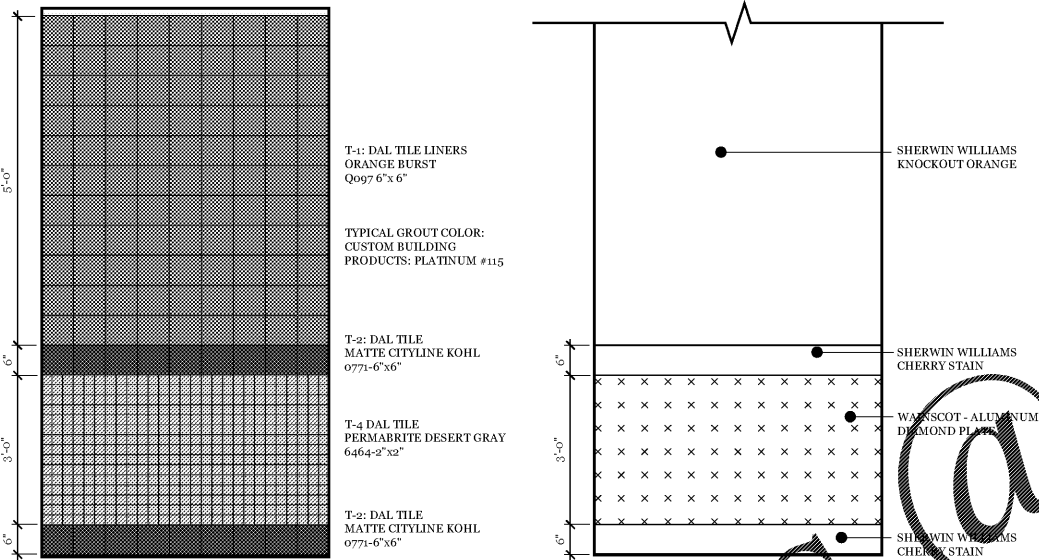
### Interior Finishes

Key	Manufacturer	Material	Product No.	Color	Notes
P-1(INT)	Sherwin Williams	Paint	Pro Industrial Acrylic Coating	Knockout Orange #6885	Eggshell
P-2(INT)	Sherwin Williams	Paint	Pro Industrial Acrylic Coating		Eggshell
P-3(INT)	Sherwin Williams	Stain	Pro Industrial Acrylic Coating	SW 3110 Classic Cherry	Stain for wood floors and 2 coats on wall
P-4(INT)	ICI Paints	Paint	A438 Epoxy Floor Paint	Gray	36" Stripe for length of car wash tunnel on passenger side
P-5(INT)	Sherwin Williams	Paint	Pro Industrial Water Based Catalysed Epoxy	Purple-PMS 266	Painted exposed wood and metal ceilings
P-6(INT)	Sherwin Williams	Paint	Pro Industrial Water Based Catalysed Epoxy	Red-PMS 186	Painted exposed metal ceiling
DP		Aluminum Diamond Plate			Wainscot with OSB Backer to 3'-0", See 4/A502
PW		3/4" Marine Plywood			
CS-1		Stained Concrete			
CS-1	Kemiko	Stained Concrete	SS1202 Epoxy Concrete Stain	TEAK	Viewing corridor and lounge
MAT	American Floor Products	Recessed Walk Off Mat	4' x 4' x 1/2" Ultra 84 Mill Finish	Baroque Gray	Recessed walk-off mat at entry of viewing corridor
AC-1	Armstrong or Eq.	Acoustical Ceiling	2x2 Cortega	White	Square edge tile/standard 1" grid
CAB-1	Wilsonart	Cabinets	336-07 Williamsburg Cherry	Williamsburg Cherry	Cabinets at office, sales counter and lounge & doors
CN-1	Wilsonart	Counter Top	9947-ML Chicory Cream	Chicory Cream	Solid surface material
T-1	Dal Tile	Liners Semi-Gloss	0771 - 6" x 6"	Orange Burst	
T-2	Dal Tile	Modern Dimensions	0771 - 6" x 6"	Matte Cityline Kohl	Alt: 0171 Semi-Gloss Cityline Kohl
T-3	Dal Tile	Modern Dimensions	0771 - 6" x 6"	Matte Cityline Kohl	Alt: 0171 Semi-Gloss Cityline Kohl
T-4	Dal Tile	Permaplates	6464 - 2" x 2"	Desert Gray	
QL	Octaflex	Quickliner	Quickliner & Snap-Trim		See Manuf. info. for installation requirements. Provide Blocking as required



### Typical Fixture Mounting Heights

N.T.S.

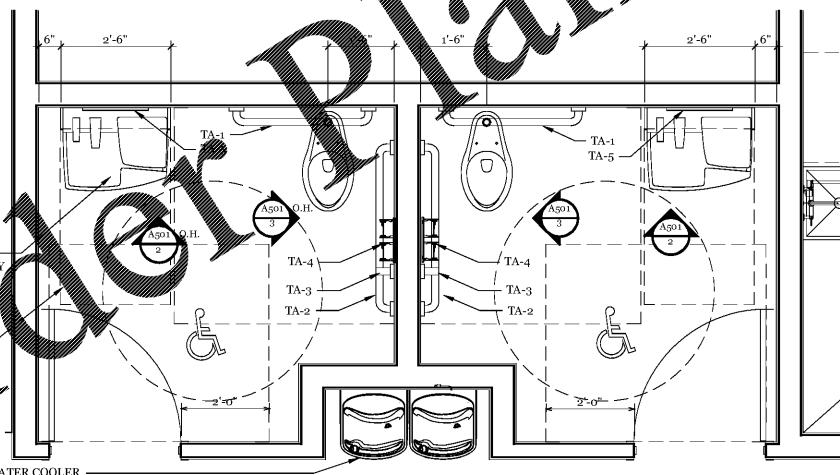


### RESTROOM

### VIEWING CORRIDOR, OFFICE SIMILAR

### Interior Elevation: Toilet-Typical Tile Pattern at Toilet Walls

N.T.S.

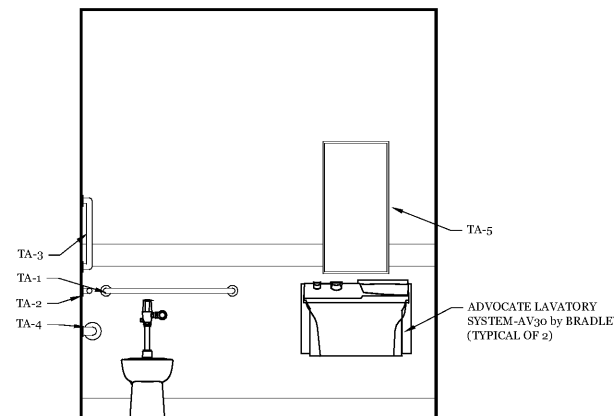


### Toilet Accessory Schedule

TA-#	Item	Manufacturer	Size	Remarks
TA-1	Grab bar	Bobrick B-5507 x 36	36" Long	Anchor securely, 250 pound load
TA-2	Grab bar	Bobrick B-5507 x 42	42" Long	Anchor securely, 250 pound load
TA-3	Grab bar	Bobrick B-5507 x 18	18" Long	Mount vertically anchor securely, min. 250 pound load
TA-4	Toilet tissue roll dispenser	Bobrick B-265		
TA-5	Mirror	Bobrick B-165 1836	18" W x 36" H	N/A

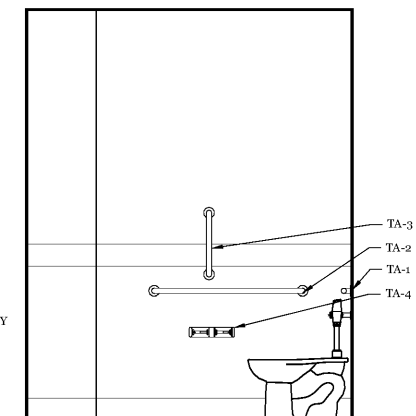
### RESTROOM NOTES:

- SEE 5/A501 FOR ACCESSORY MOUNTING HEIGHTS.
- LAVATORY FAUCET TO BE AN AUTOMATIC HARDWIRED SENSOR. URINAL AND TOILETS TO BE MANUAL.
- THE RESTROOM LAYOUT IS BASED ON AND COMPLIES WITH THE "AMERICAN WITH DISABILITIES ACT" LATEST REGULATIONS. PLEASE NOTE THE FOLLOWING SECTIONS:
  - 4.16.5 FLUSH CONTROLS. FLUSH CONTROLS SHALL BE HAND OPERATED OR AUTOMATIC AND SHALL COMPLY WITH 4.27.4. CONTROLS FOR FLUSH VALVES SHALL BE MOUNTED ON THE WALL SIDE OF TOILET AREAS NO MORE THAN 44" (1120mm) ABOVE THE FLOOR.
  - 4.19.4 EXPOSED PIPES AND SURFACES. WATER AND DRAIN PIPES UNDER LAVATORIES SHALL BE INSULATED OR OTHERWISE CONFIGURED TO PROTECT AGAINST CONTACT. THERE SHALL BE NO SHARP OR ABRASIVE SURFACES UNDER LAVATORIES.
  - 4.19.5 FAUCETS. FAUCETS SHALL COMPLY WITH 4.27.4. LEVER-OPERATED PUSH-TYPE AND ONICALLY CONTROLLED MECHANISMS ARE EXAMPLES OF PTABLE DESIGNS. SELF-CLOSING VALVES ARE ALLOWED IF THE FAUCET REMAINS OPEN FOR AT LEAST 10 SECONDS.
  - 4.26.2 GRAB BARS. OUTSIDE DIAMETER - MIN. 1-1/4", MAX 1-1/2". SPACE BETWEEN WALL AND GRAB BAR - 1-1/2".
  - 4.27.4 OPERATION. CONTROLS AND OPERATING MECHANISMS SHALL BE OPERABLE WITH ONE HAND AND SHALL NOT REQUIRE TIGHT GRASPING, PINCHING, OR TWISTING OF THE WRIST. THE FORCE REQUIRED TO ACTIVATE CONTROLS SHALL BE NO GREATER THAN 5 LBF (22.2N).



### Enlarged Toilet Room Elevation

1/2" = 1'-0"



### Enlarged Toilet Room Elevation

1/2" = 1'-0"

**Drawn By** TRB  
**Checked By** MJR  
**Issue Date** 06.15.17  
**Project No** 170382

**Sheet Title**  
ENLARGED PLANS  
INTERIOR ELEVATIONS  
& SCHEDULES

**Sheet Number**

**A501**

124 Floyd Smith Dr  
Suite 375  
Charlotte, NC 28262  
Tel - 704 - 688-7500

2000 Sam Rittenberg Blvd.  
Suite 116  
Charleston, SC 29407  
Tel - 843 - 531-6848

www.R4architecture.com

**Revision**      **Date**