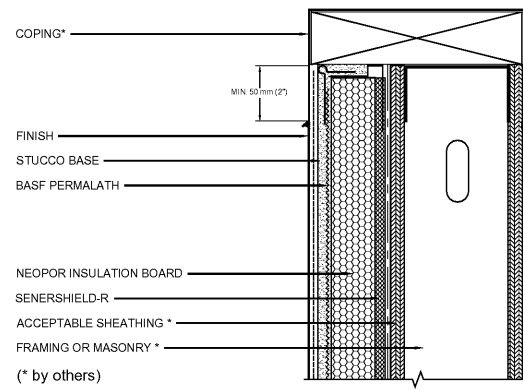
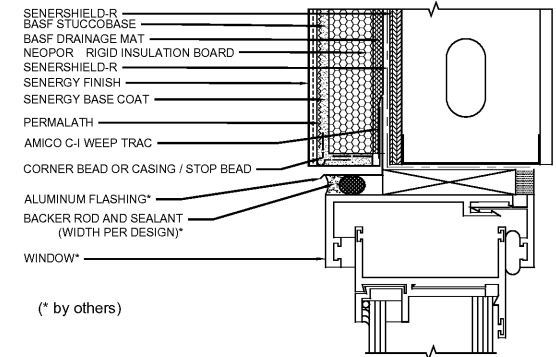


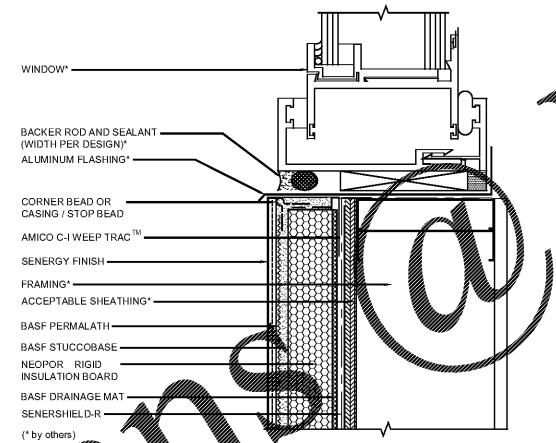
Order Plans



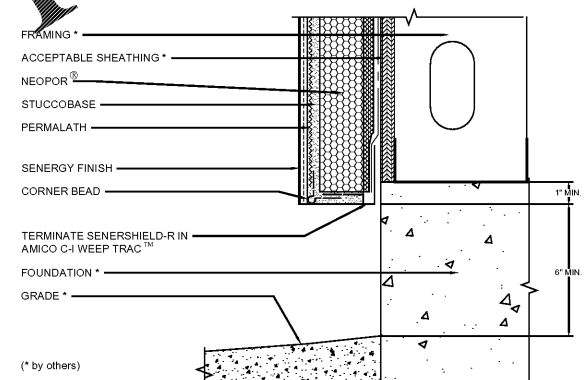
TYPICAL SENERGY PLATINUM CI ULTRA STUCCO WALL SYSTEM APPLICATION- OUTSIDE CORNER



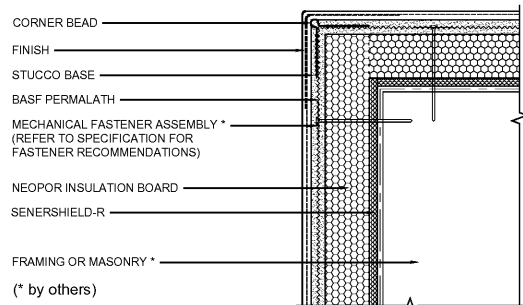
TYPICAL SENERGY PLATINUM CI ULTRA STUCCO WALL SYSTEM APPLICATION- WINDOW HEAD



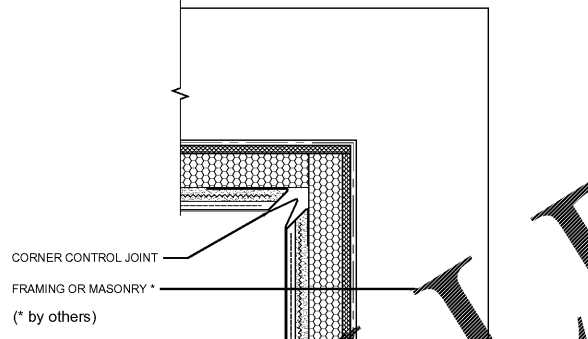
TYPICAL SENERGY PLATINUM CI ULTRA STUCCO WALL SYSTEM APPLICATION - WINDOW SILL



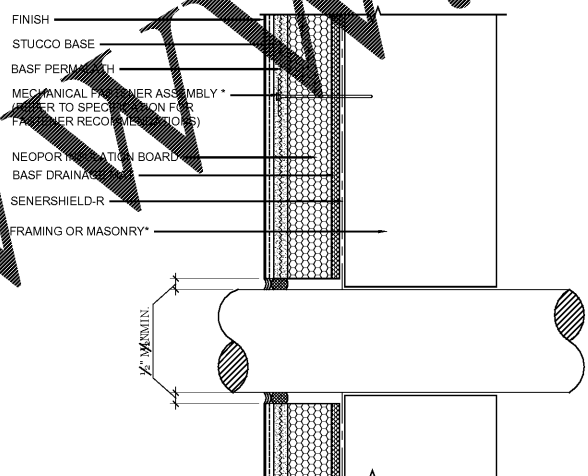
TYPICAL SENERGY PLATINUM CI ULTRA STUCCO WALL SYSTEM APPLICATION - TERMINATION @ GRADE



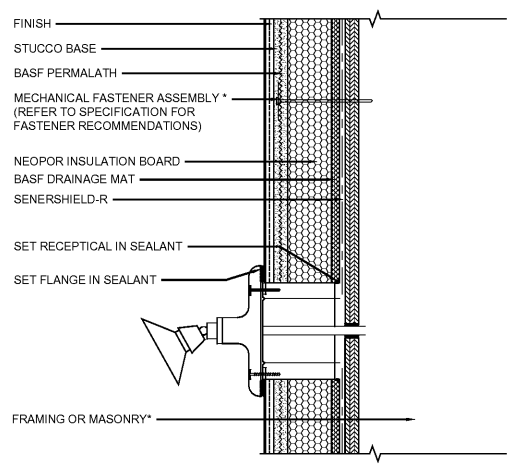
TYPICAL SENERGY PLATINUM CI ULTRA STUCCO WALL SYSTEM APPLICATION- OUTSIDE CORNER



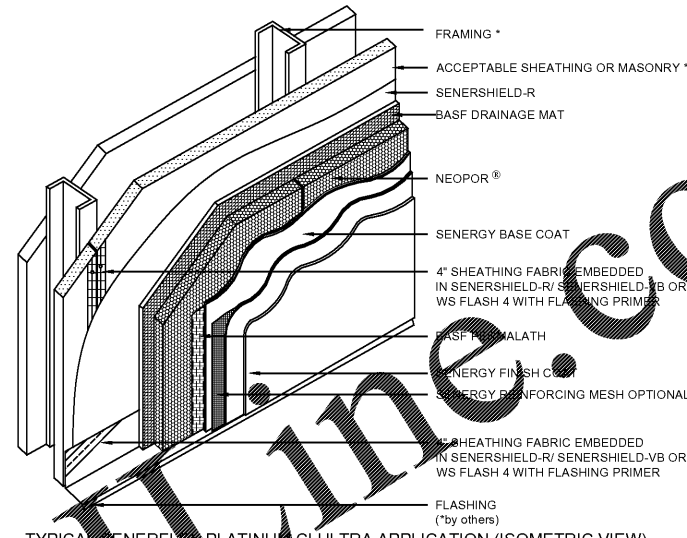
TYPICAL SENERGY PLATINUM CI ULTRA STUCCO WALL SYSTEM APPLICATION- INSIDE CORNER



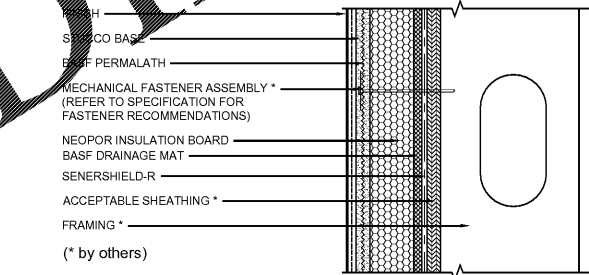
TYPICAL SENERGY PLATINUM CI ULTRA STUCCO WALL SYSTEM APPLICATION- TYPICAL PENETRATION



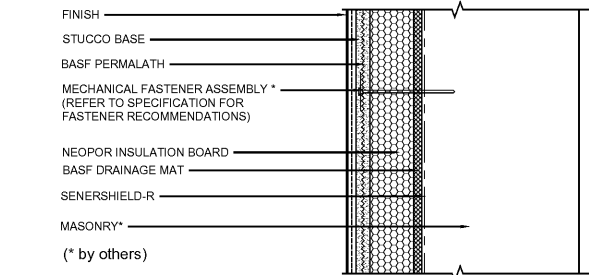
TYPICAL SENERGY PLATINUM CI ULTRA STUCCO WALL SYSTEM APPLICATION- LIGHT FIXTURE



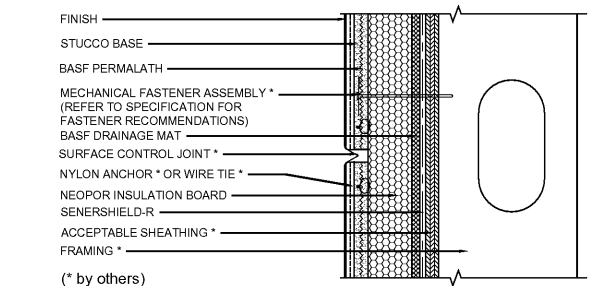
TYPICAL SENERGY PLATINUM CI ULTRA APPLICATION (ISOMETRIC VIEW)



TYPICAL SENERGY PLATINUM CI ULTRA STUCCO WALL SYSTEM APPLICATION- FRAMED/ SHEATHED CONSTRUCTION



TYPICAL SENERGY PLATINUM CI ULTRA STUCCO WALL SYSTEM APPLICATION- MASONRY CONSTRUCTION

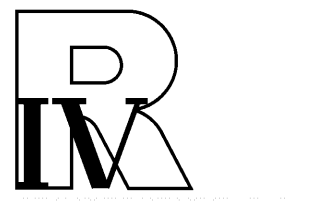
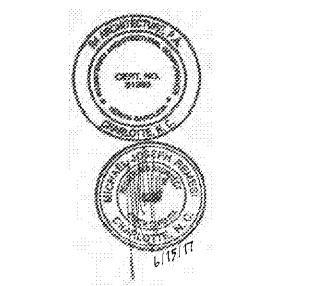


TYPICAL SENERGY PLATINUM CI STUCCO WALL SYSTEM SURFACE CONTROL JOINT

GENERAL NOTES:
 1. THESE DETAILS ARE FOR ILLUSTRATIVE PURPOSES ONLY. ALL STUCCO SYSTEMS TO BE INSTALLED PER MANUFACTURER'S WRITTEN INSTRUCTIONS AND SPECIFICATIONS. CONTACT MANUFACTURER FOR ANY INSTALLATIONS QUESTIONS- TYP.
 2. ALL THRU PENETRATIONS AND TERMINATION (WHETHER NEW OR EXISTING) SHALL BE WATER AND WEATHER TIGHT- TYP. G.C. SHALL NOTIFY ARCHITECT IN OF ANY FIELD CONDITIONS THAT MAY PREVENT THIS- TYP.

Project
 Sam's Xpress Car Wash
 4965 University Parkway
 Winston-Salem, NC 27106

Owner
 Sam's M...
 935 Town Place
 Suite 200
 Matthews, NC 28105



124 Floyd Smith Dr
 Suite 375
 Charlotte, NC 28262
 Tel - 704 - 688-7500

2000 Sam Rittenberg Blvd.
 Suite 116
 Charleston, SC 29407
 Tel - 843 - 531-6848

www.R4architecture.com

Revision Date

Drawn By TRB
 Checked By MJR
 Issue Date 06.15.17
 Project No 170382

Sheet Title
 GENERAL DETAILS
 SENERGY PLATINUM CI
 ULTRA STUCCO SYSTEM

Sheet Number
A451