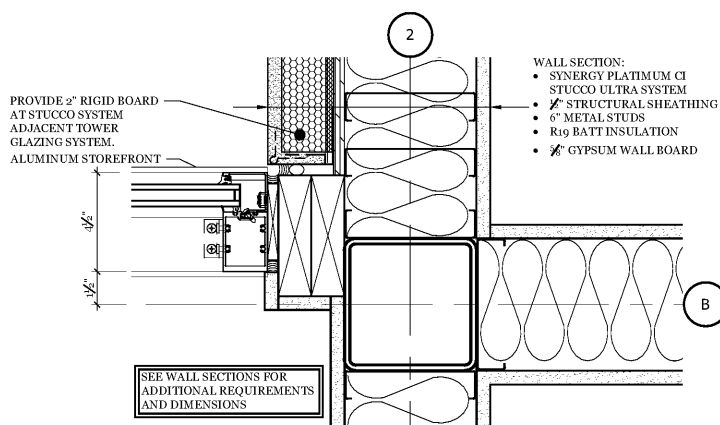


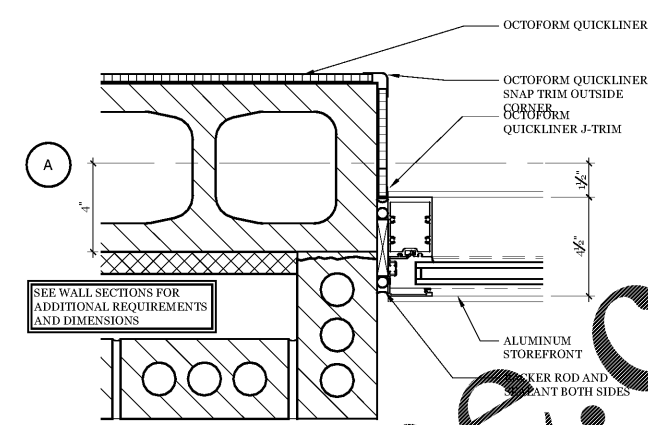
DETAIL: STOREFRONT AT BRICK

3" = 1'-0"



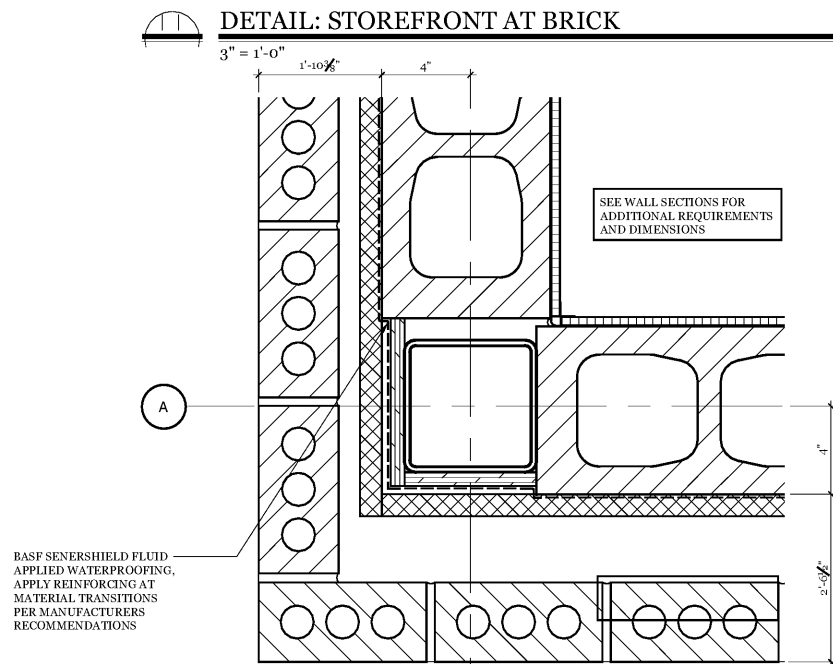
DETAIL: WASH BAY STOREFRONT @ STUCCO

3" = 1'-0"



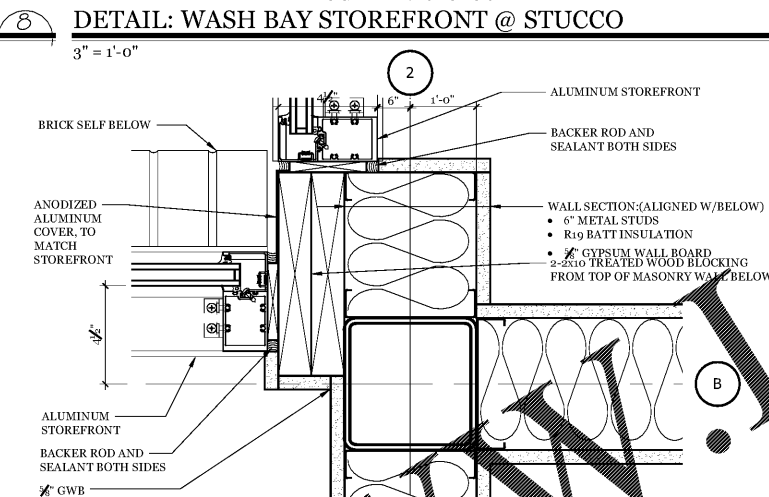
DETAIL: WASH BAY STOREFRONT @ BRICK

3" = 1'-0"



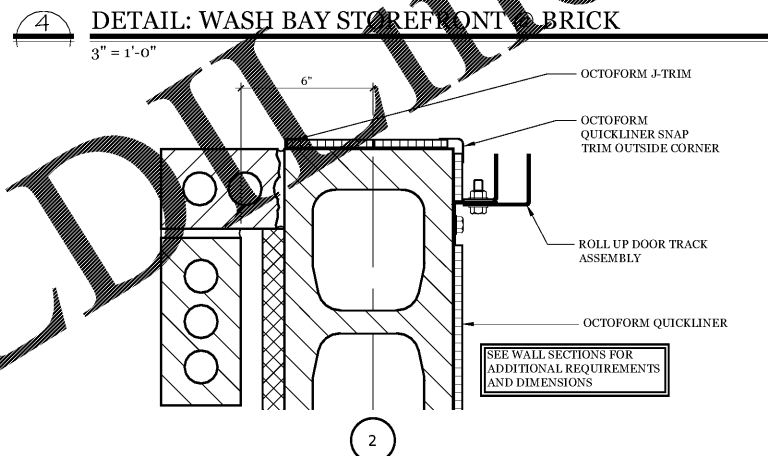
DETAIL: WASH BAY CORNER AT COLUMN

3" = 1'-0"



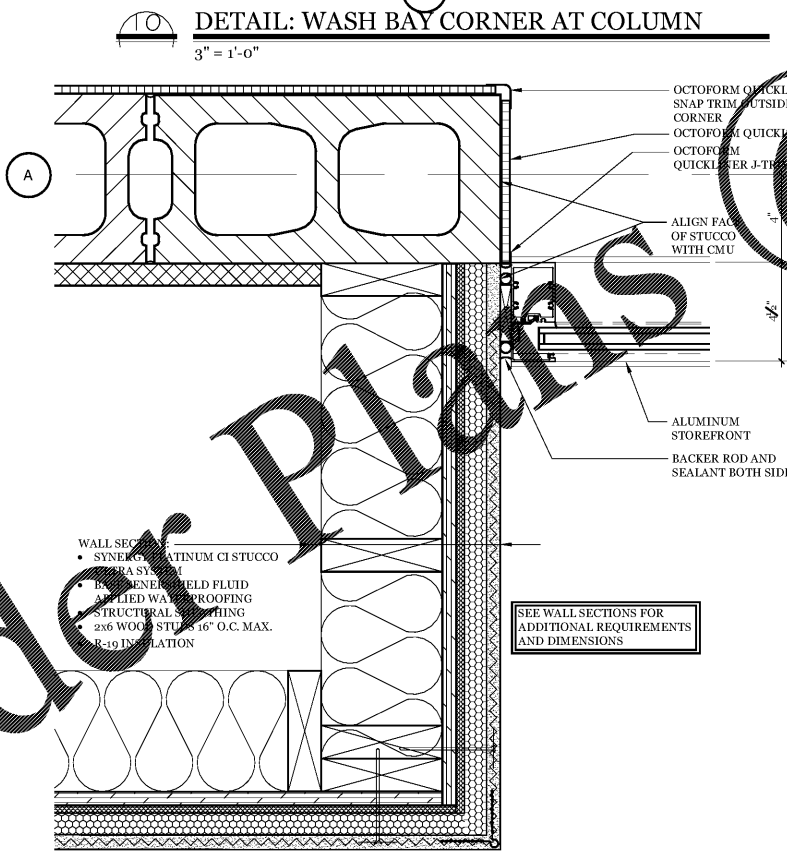
DETAIL: LOUNGE STOREFRONT INTERSECTION

3" = 1'-0"



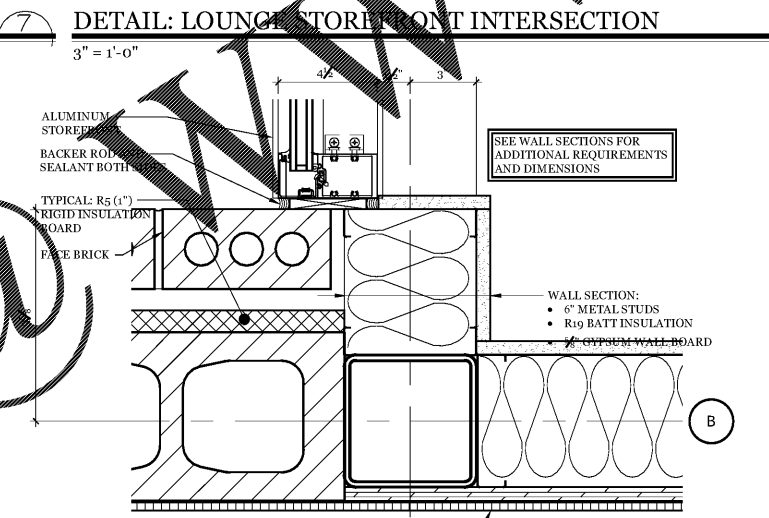
DETAIL: WASH BAY ROLL UP DOOR @ BRICK

3" = 1'-0"



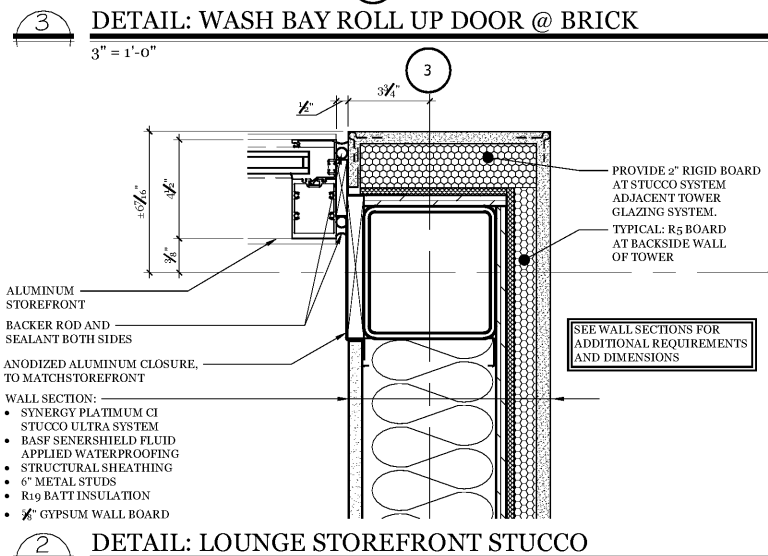
DETAIL: WASH BAY STOREFRONT @ STUCCO

3" = 1'-0"



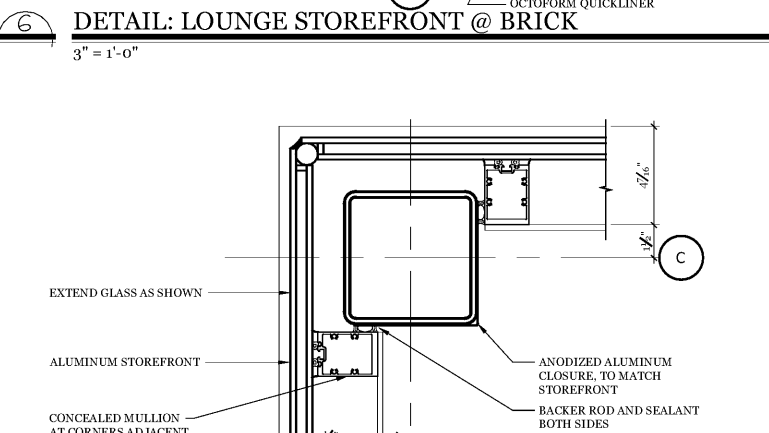
DETAIL: LOUNGE STOREFRONT @ BRICK

3" = 1'-0"



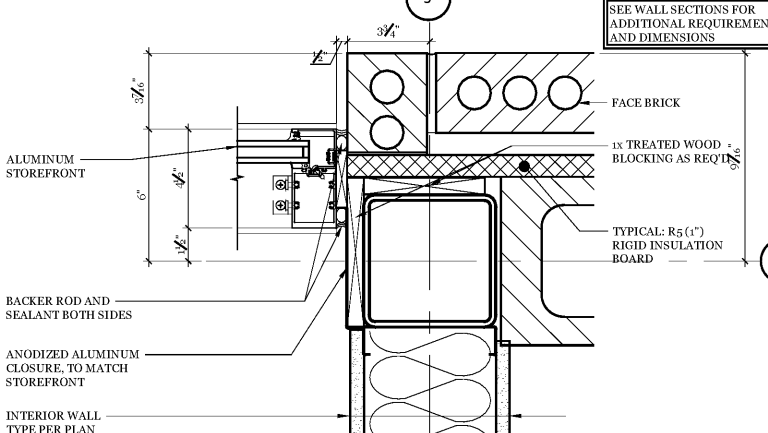
DETAIL: LOUNGE STOREFRONT STUCCO

3" = 1'-0"



DETAIL: LOUNGE STOREFRONT CORNER

3" = 1'-0"

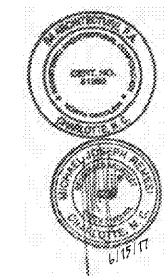


DETAIL: LOUNGE STOREFRONT @ BRICK

3" = 1'-0"

Project
Sam's Xpress Car Wash
4965 University Parkway
Winston-Salem, NC 27106

Owner
Sam's M...
7935 Council Place
Suite 100
Matthews, NC 28105



124 Floyd Smith Dr
Suite 375
Charlotte, NC 28262
Tel - 704 - 688-7500

2000 Sam Rittenberg Blvd.
Suite 116
Charleston, SC 29407
Tel - 843 - 531-6848

www.R4architecture.com

Revision Date

Drawn By TRB
Checked By MJR
Issue Date 06.15.17
Project No 170382

Sheet Title
PLAN DETAILS

Sheet Number
A425

Order Plans @