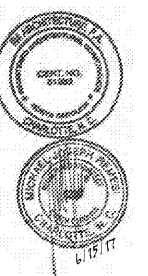


Project
 Sam's Xpress Car Wash
 4965 University Parkway
 Winston-Salem, NC 27106

Owner
 Sam's Ma
 7935 Council Place
 Suite 300
 Matthews, NC 28105



R4

124 Floyd Smith Dr
 Suite 375
 Charlotte, NC 28262
 Tel - 704 - 688-7500

2000 Sam Rittenberg Blvd.
 Suite 116
 Charleston, SC 29407
 Tel - 843 - 531-6848

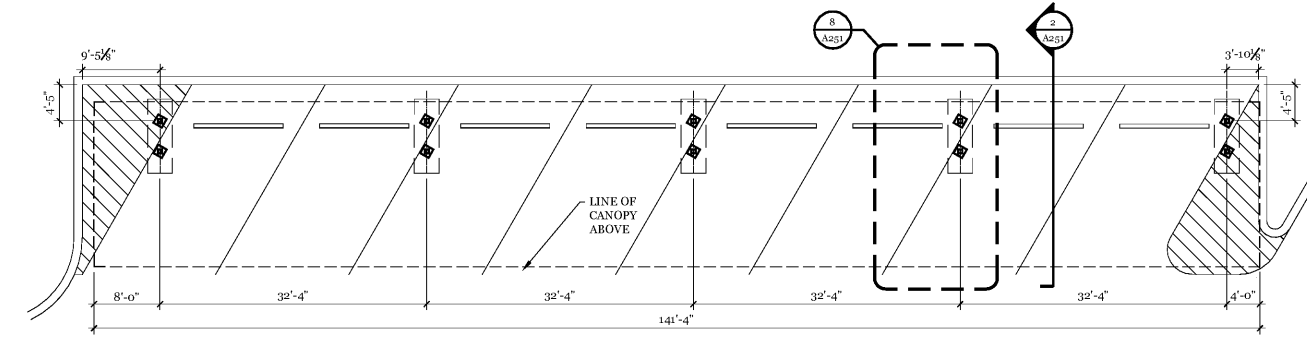
www.R4architecture.com

Revision Date

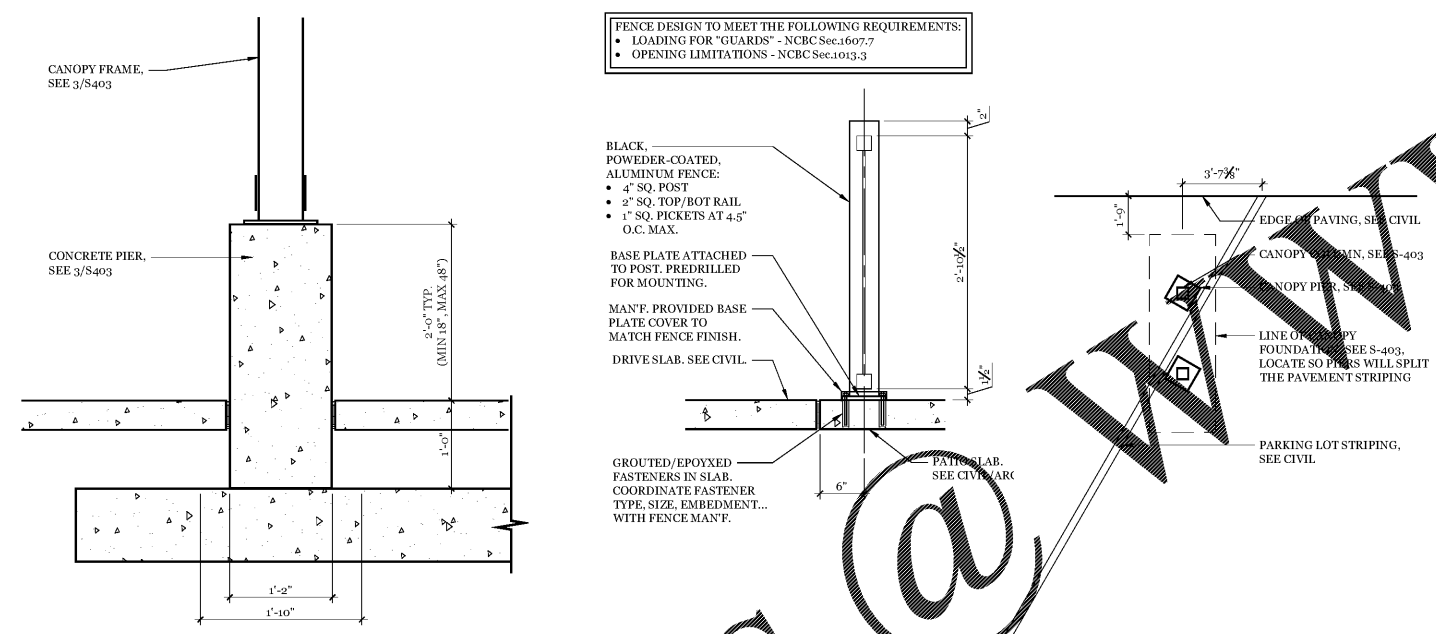
Drawn By TRB
Checked By MJR
Issue Date 06.15.17
Project No 170382

Sheet Title
 CANOPY ELEVATIONS
 PATIO PLAN AND
 SECTIONS

Sheet Number
A251



7 VACUUM CANOPY PLAN
 3/32" = 1'-0"

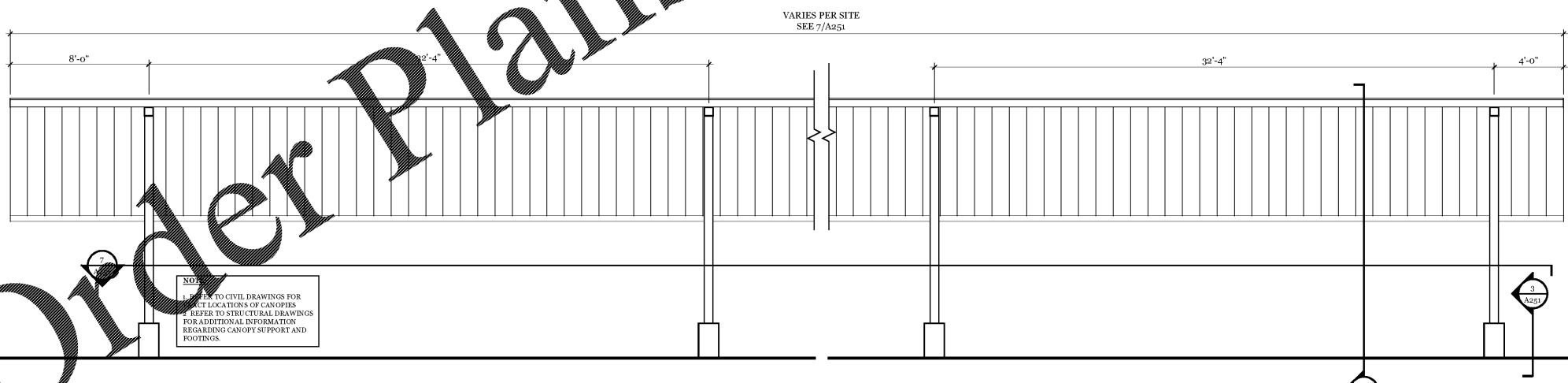
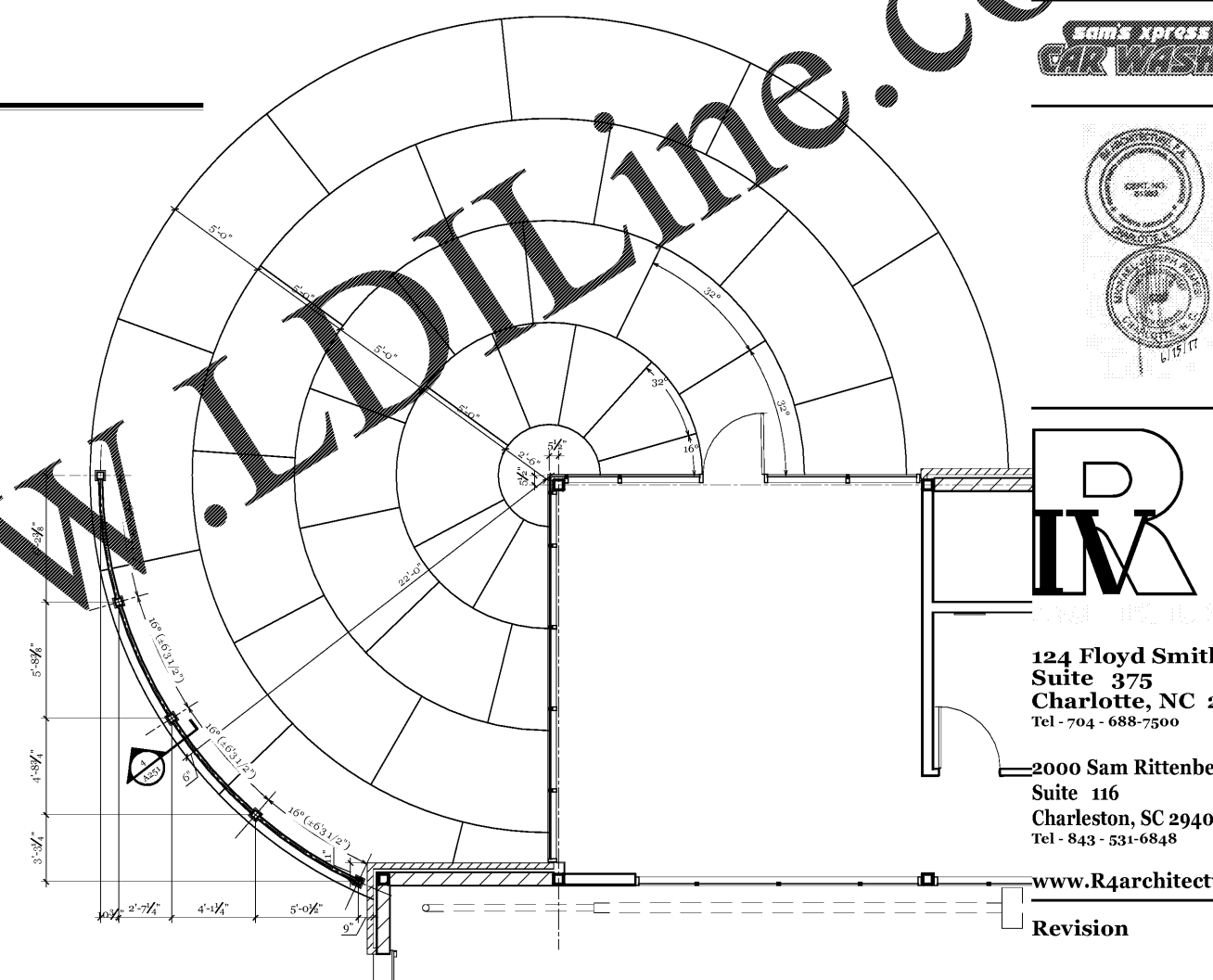


3 CANOPY BASE SECTION
 1" = 1'-0"

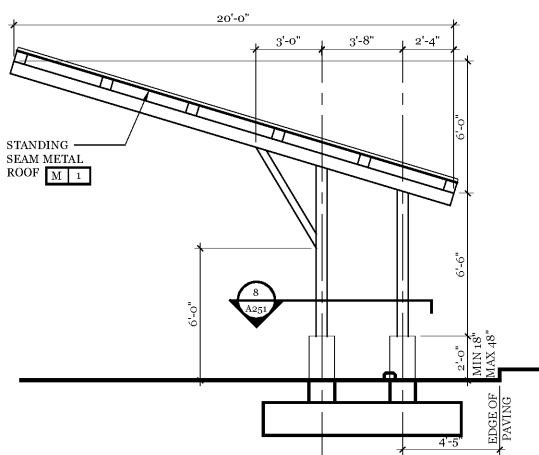
4 PATIO WALL SECTION
 1" = 1'-0"

8 CANOPY BASE PLAN DETAIL
 1/4" = 1'-0"

6 PATIO PLAN
 1/4" = 1'-0"



1 Front Elevation
 1/4" = 1'-0"



2 Side Elevation
 1/4" = 1'-0"

Order Plans @ www.r4online.com

ALL RIGHTS RESERVED. NO PART OF THIS DRAWING SHALL BE REPRODUCED OR TRANSMITTED IN ANY FORM OR BY ANY MEANS, ELECTRONIC OR MECHANICAL, WITHOUT THE WRITTEN PERMISSION OF R4 ARCHITECTURE.