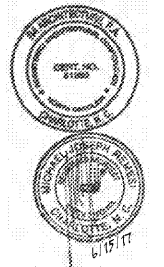


**Project**

Sam's Xpress Car Wash  
 4965 University Parkway  
 Winston-Salem, NC 27106

**Owner**  
 Sam's M...  
 7933 Council Place  
 Suite 100  
 Matthews, NC 28105



124 Floyd Smith Dr  
 Suite 375  
 Charlotte, NC 28262  
 Tel - 704 - 688-7500

2000 Sam Rittenberg Blvd.  
 Suite 116  
 Charleston, SC 29407  
 Tel - 843 - 531-6848

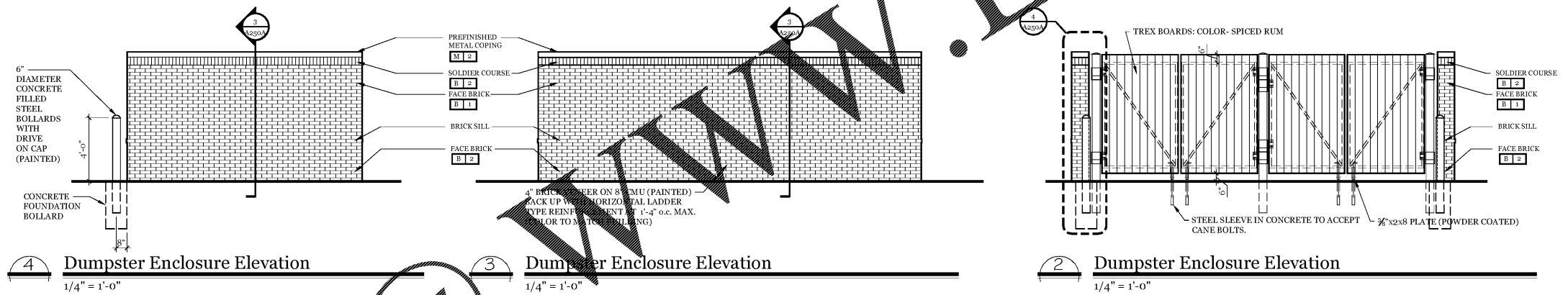
[www.R4architecture.com](http://www.R4architecture.com)

Revision	Date

<b>Drawn By</b>	TRB
<b>Checked By</b>	MJR
<b>Issue Date</b>	06.15.17
<b>Project No</b>	170382

**Sheet Title**  
 DUMPSTER ENCLOSURE  
 PLAN & ELEVATIONS

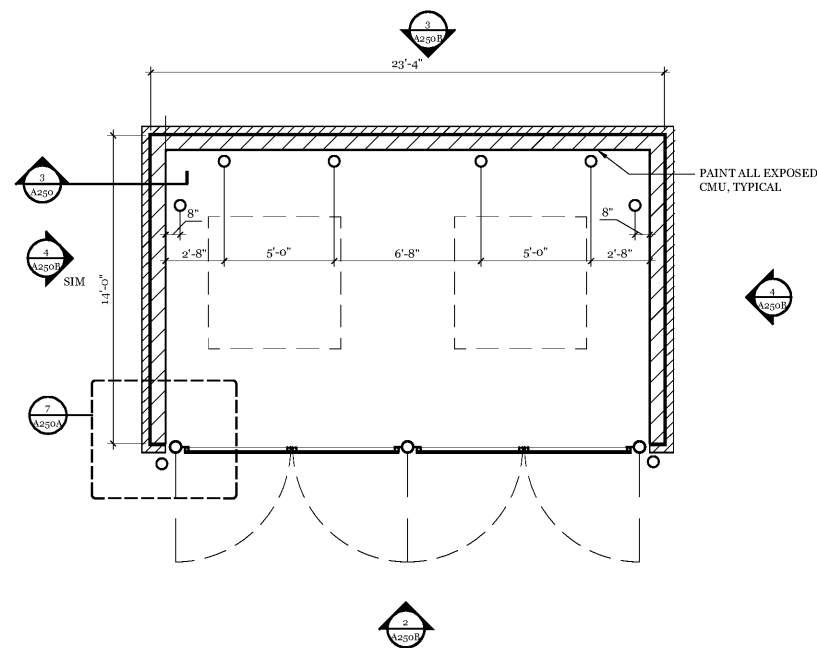
**Sheet Number**  
**A250B**



4 Dumpster Enclosure Elevation  
 1/4" = 1'-0"

3 Dumpster Enclosure Elevation  
 1/4" = 1'-0"

2 Dumpster Enclosure Elevation  
 1/4" = 1'-0"



Dumpster Enclosure Plan  
 1/4" = 1'-0"

Order Plans @

WWW.LDILine.com

ALL RIGHTS RESERVED. NO PART OF THIS DOCUMENT IS TO BE REPRODUCED, STORED IN A RETRIEVING SYSTEM, OR TRANSMITTED IN ANY FORM OR BY ANY MEANS, ELECTRONIC OR MECHANICAL, INCLUDING PHOTOCOPYING, RECORDING, OR BY ANY INFORMATION STORAGE AND RETRIEVAL SYSTEM.