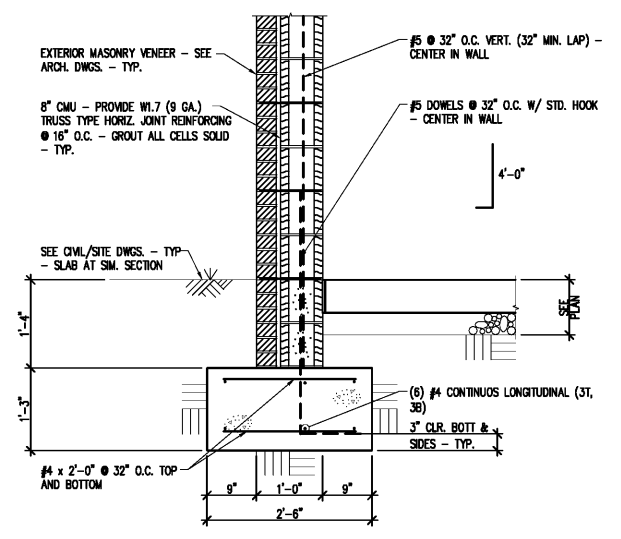
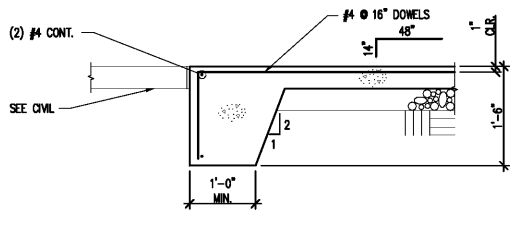


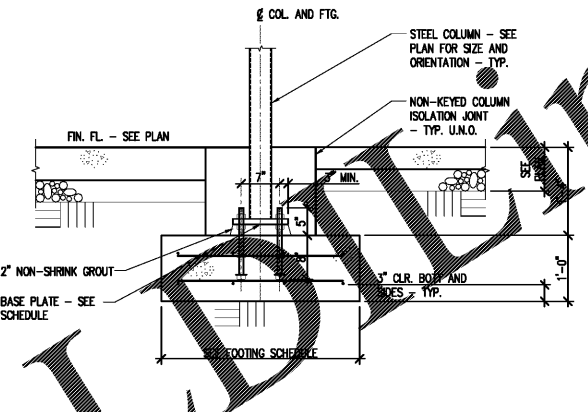
ALL RIGHTS RESERVED AND REPRODUCED HEREUNDER BY THE PROPERTY OF R4ARCHITECTURE, P.A. ANY UNAUTHORIZED USE OR REPRODUCTION IS STRICTLY PROHIBITED. MASTHEAD IS ANY PART OF THE ARCHITECTURE, ENGINEERING OR PROFESSIONAL SEAL OR SIGNATURE OF THESE CONTRACTORS. COPYRIGHT 2017



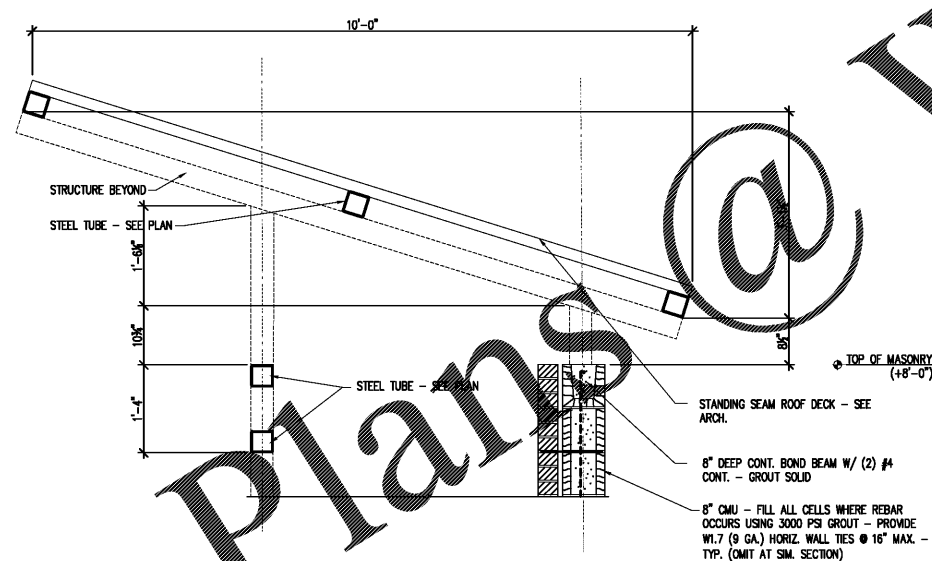
**1 SECTION AT EXTERIOR WALL**  
 SS04 SCALE: 3/4"=1'-0"



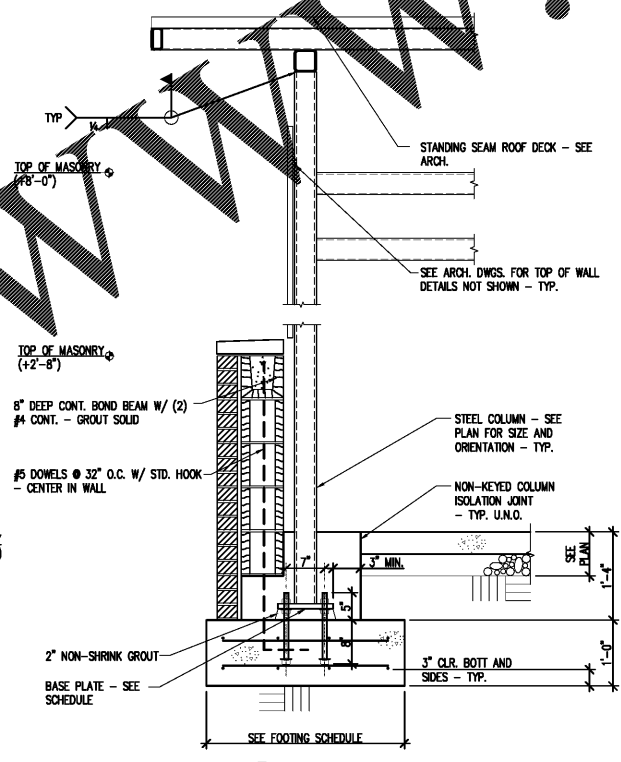
**2 SECTION AT TURNED DOWN SLAB**  
 SS04 SCALE: 3/4"=1'-0"



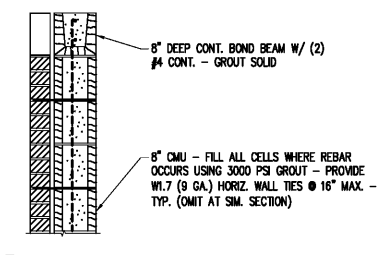
**3 SECTION AT COLUMN FOOTING**  
 SS04 SCALE: 3/4"=1'-0"



**4 SECTION**  
 SS04 SCALE: 3/4"=1'-0"



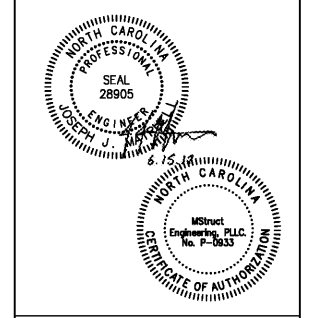
**5 SECTION**  
 SS04 SCALE: 3/4"=1'-0"



**6 SECTION AT WALL**  
 SS04 SCALE: 3/4"=1'-0"

**Project**  
 Sam's Xpress Car Wash  
 4965 University Parkway  
 Winston-Salem, NC 27106

**Owner**  
 Sam's M...  
 293 Couch Place  
 Suite 200  
 Matthews, NC 28105



**R4**  
 ARCHITECTURE, P.A.

124 Floyd Smith Dr  
 Suite 375  
 Charlotte, NC 28262  
 Tel - 704 - 688-7500

7301 Rivers Avenue  
 Suite 188  
 North Charleston, SC 29406  
 Tel - 843 - 531-6848

www.R4architecture.com

Revision	Date

**Drawn By** PJW  
**Checked By** JJM  
**Issue Date** 06.15.17  
**Project No** 170382

**Sheet Title**  
 Vacuum/Vending  
 Enclosure Sections

**Sheet Number**  
**S504**



**MStruct**  
 Structural Engineering Services, PLLC  
 Design • Inspection • Testing  
 1521 Nassau Blvd.  
 Charlotte, NC 28203  
 704.507.3099  
 www.mstruct.com  
 MStruct Job#: 65-17

Order Plans