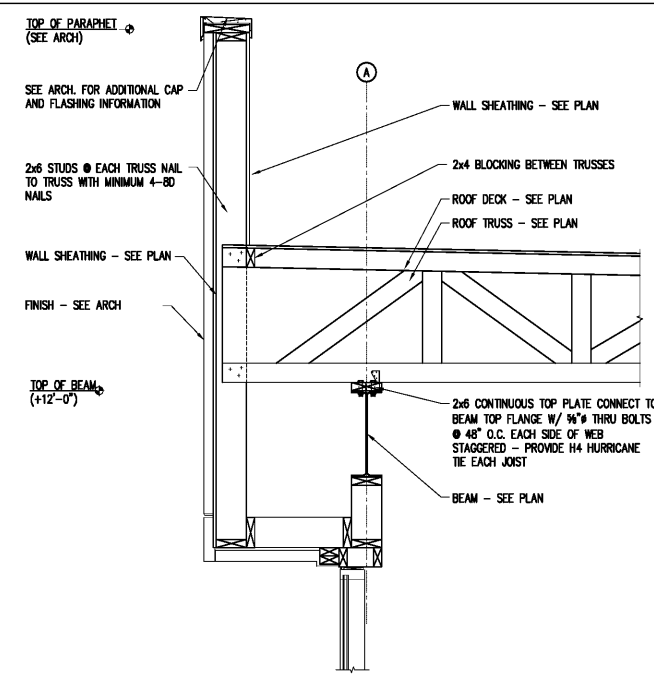
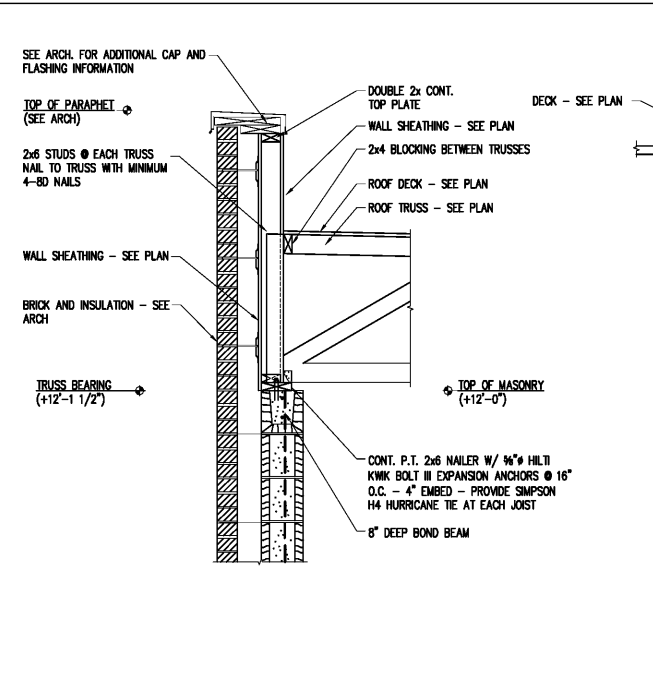


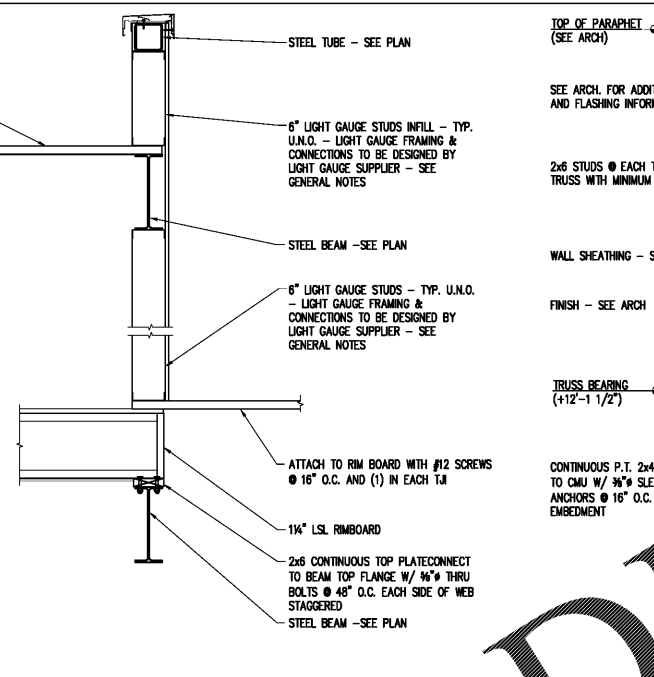
ALL SHEET DIMENSIONS AND LEGENDS ARE THE PROPERTY OF R4 ARCHITECTURE, P.A. ANY REPRODUCTION OR USE OF THIS DOCUMENT IS STRICTLY BY PERMIT OF THESE CONDITIONS. COPYRIGHT 2014



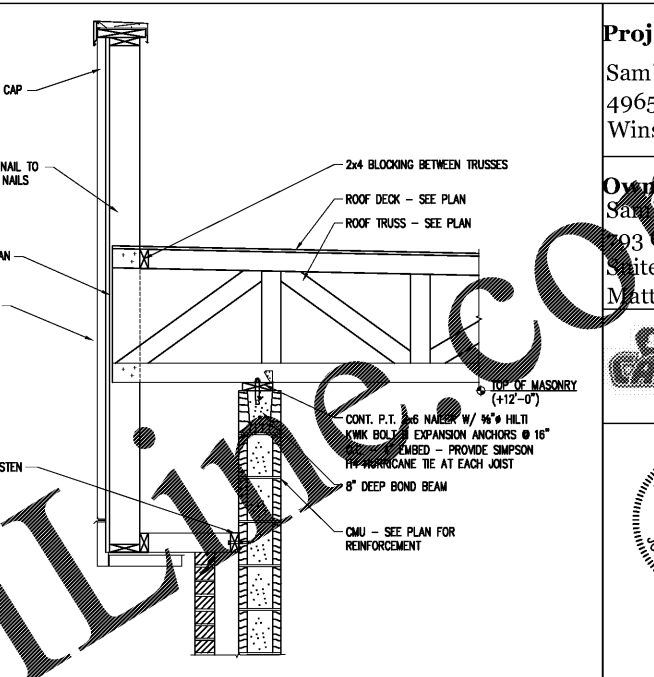
1 SECTION • TUNNEL LINEL
S401 SCALE: 3/4"=1'-0"



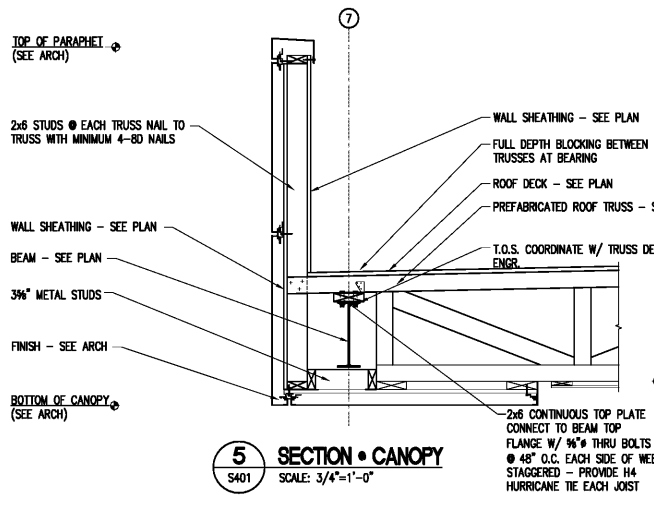
2 SECTION • HI ROOF LOW EDGE
S401 SCALE: 3/4"=1'-0"



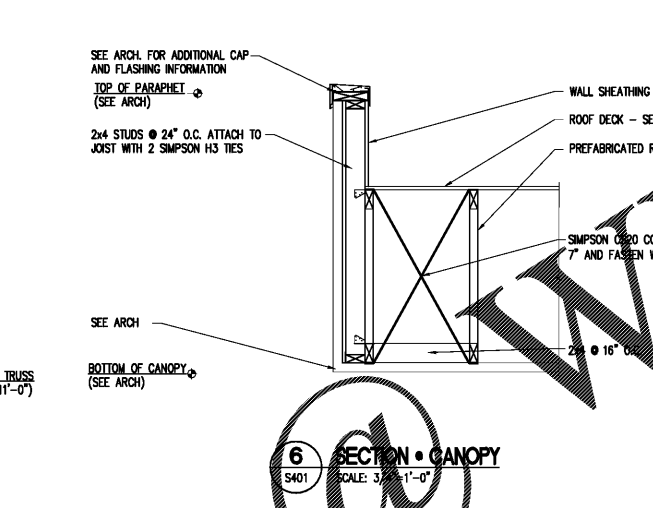
3 SECTION
S401 SCALE: 3/4"=1'-0"



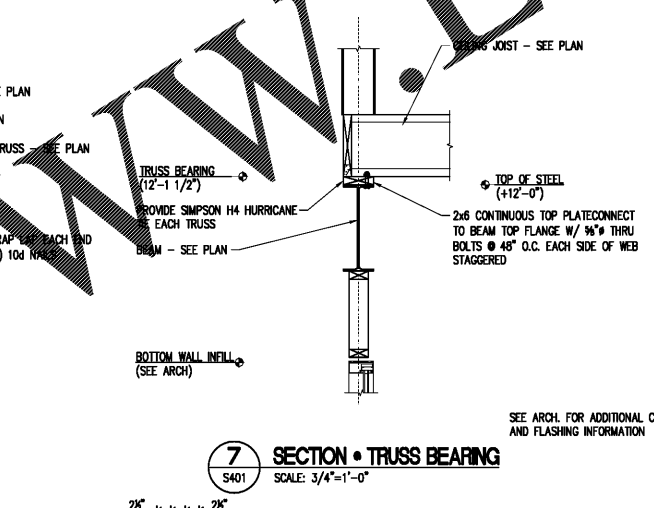
4 SECTION
S401 SCALE: 3/4"=1'-0"



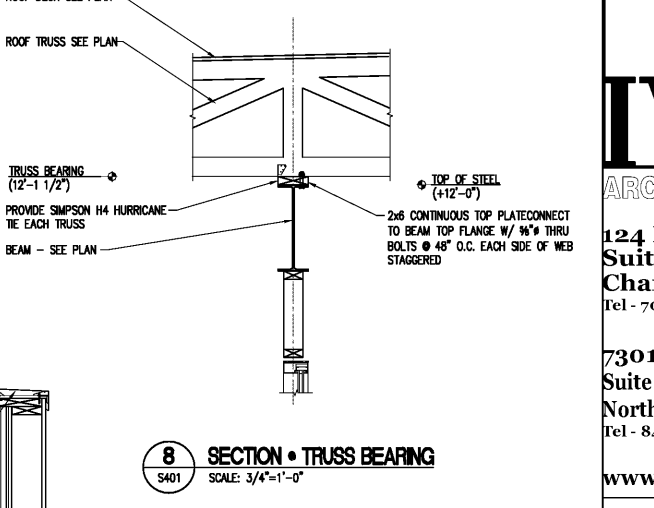
5 SECTION • CANOPY
S401 SCALE: 3/4"=1'-0"



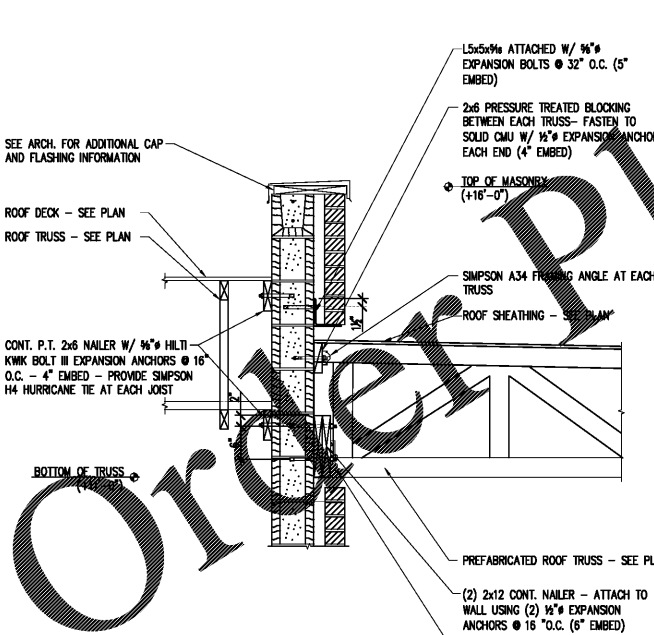
6 SECTION • CANOPY
S401 SCALE: 3/4"=1'-0"



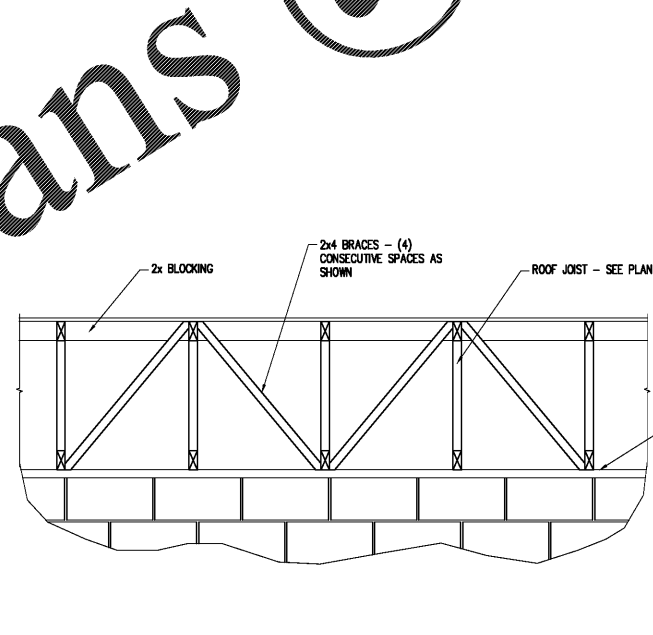
7 SECTION • TRUSS BEARING
S401 SCALE: 3/4"=1'-0"



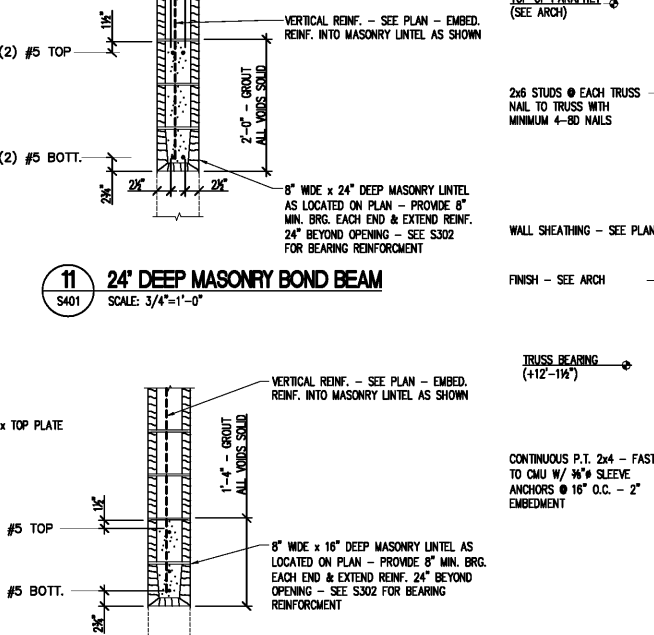
8 SECTION • TRUSS BEARING
S401 SCALE: 3/4"=1'-0"



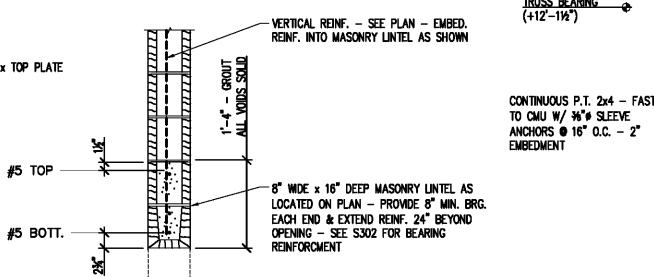
9 SECTION • HIGH-LO ROOF
S401 SCALE: 3/4"=1'-0"



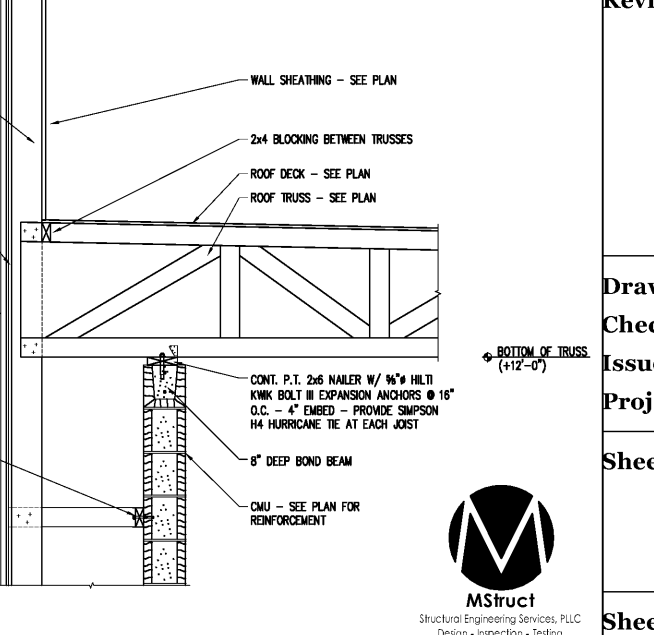
10 SHEAR TRANSFER DETAIL
S401 SCALE: 3/4"=1'-0"



11 24" DEEP MASONRY BOND BEAM
S401 SCALE: 3/4"=1'-0"



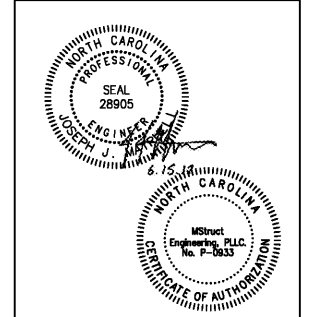
12 16" DEEP BOND BEAM
S401 SCALE: 3/4"=1'-0"



13 SECTION • BUMP OUT
S401 SCALE: 3/4"=1'-0"

Project
Sam's Xpress Car Wash
4965 University Parkway
Winston-Salem, NC 27106

Owner
Sam's M...
93 Church Place
Suite 200
Matthews, NC 28105



R4 ARCHITECTURE, P.A.

124 Floyd Smith Dr
Suite 375
Charlotte, NC 28262
Tel - 704 - 688-7500

7301 Rivers Avenue
Suite 188
North Charleston, SC 29406
Tel - 843 - 531-6848

www.R4architecture.com

Revision	Date

Drawn By PJW
Checked By JJM
Issue Date 06.15.17
Project No 170382

Sheet Title
FRAMING SECTIONS AND DETAILS

Sheet Number

S401

