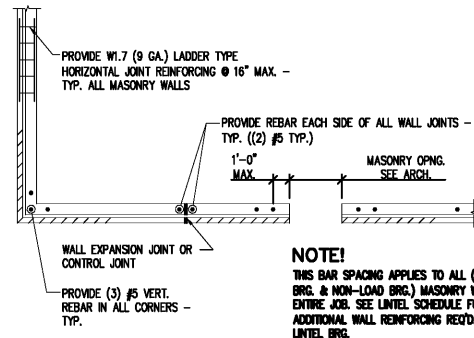


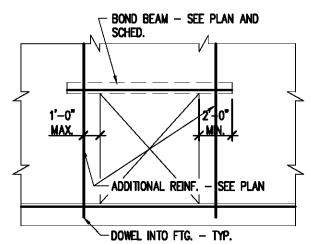
1 CMU WALL ELEVATION
S302 NO SCALE - SPECIAL REINF. CMU WALL

INTERIOR & EXTERIOR SEISMIC MASONRY WALL REQUIREMENTS - (U.N.O.)

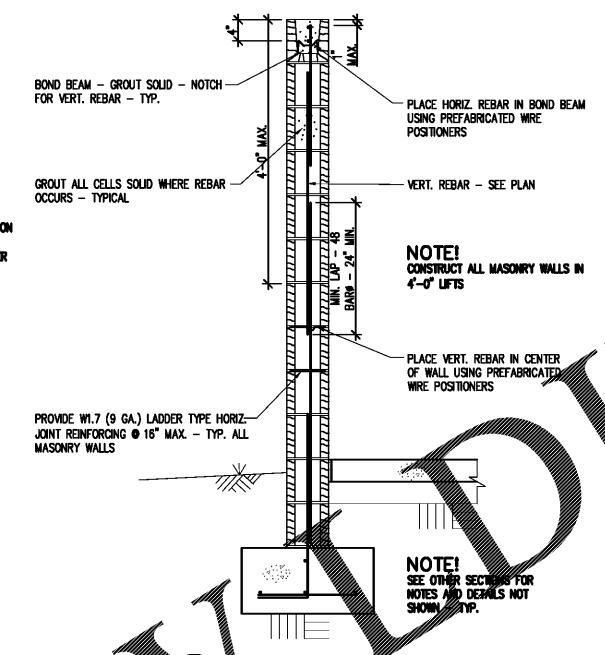
1. VERTICAL REBAR (SEE PLAN) DOWELED INTO FOOTING.
2. HORIZONTAL REBAR AT TOP OF WALL, AT BEARING LINES, AT TOP OF FOOTING AND @ 48" O.C. MAX.
3. PROVIDE W1.7 (9 GA.) LADDER TYPE HORIZONTAL JOINT REINFORCEMENT @ 16" O.C.
4. PROVIDE REBAR (OR LINTEL) AROUND OPENINGS.
5. VERTICAL REBAR REQ'D EA. SIDE OF ALL VERT. WALL JOINTS (CONTROL & EXPANSION JOINTS).
6. LAP VERTICAL REBAR 48 BAR# (MIN. LAP 24").
7. GROUT ALL CELLS SOLID WHERE REBAR OCCURS.
8. ALL VERTICAL REBAR TO BE POSITIONED IN BLOCK CELL BY PREFABRICATED WIRE POSITIONER - SUBMIT FOR APPROVAL.
9. SEE BEAM OR LINTEL BEARING DETAILS FOR ADDITIONAL WALL REINFORCING REQUIRED UNDER LINTELS.
10. ALL BRICK TIES SHALL CONFORM WITH SEISMIC DESIGN CATEGORY REQUIREMENTS - SUBMIT FOR APPROVAL.
11. CONSTRUCT ALL WALLS IN 4'-0" LIFTS.
12. SEE OTHER SECTIONS FOR NOTES AND DETAILS NOT SHOWN.



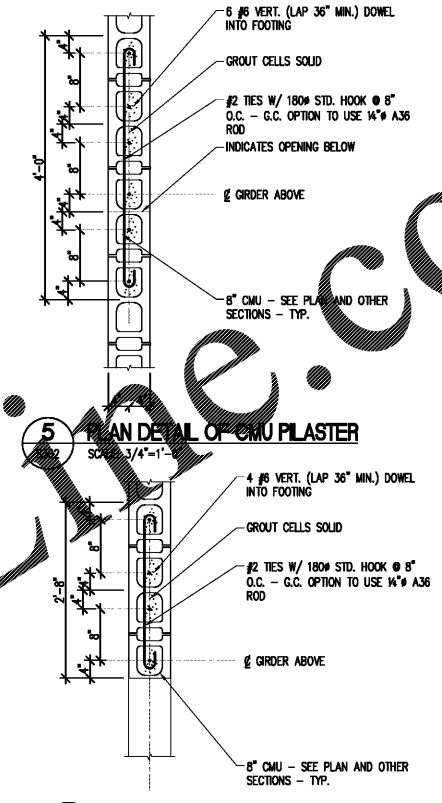
2 CMU WALL REINFORCING
S302 NOT TO SCALE



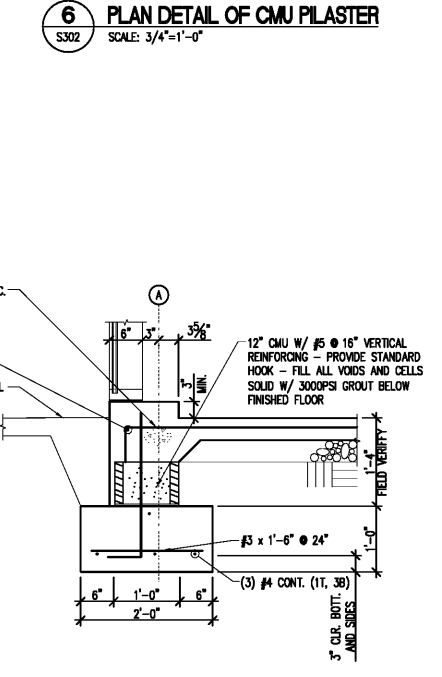
3 SCHEMATIC CMU WALL SECTION
S302 NOT TO SCALE



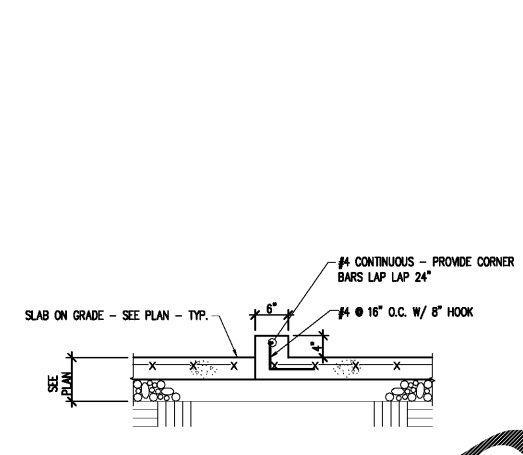
4 CMU WALL SECTION
SCALE: 3/4"=1'-0"



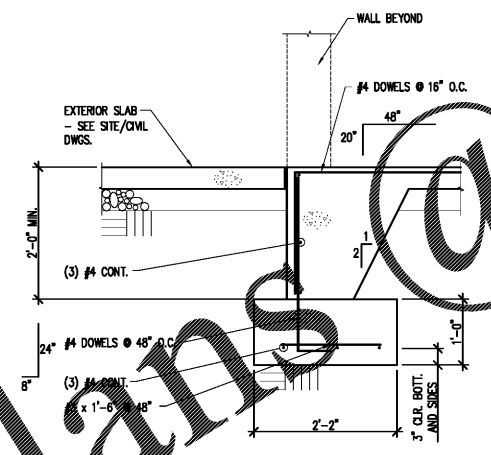
5 PLAN DETAIL OF CMU PILASTER
SCALE: 3/4"=1'-0"



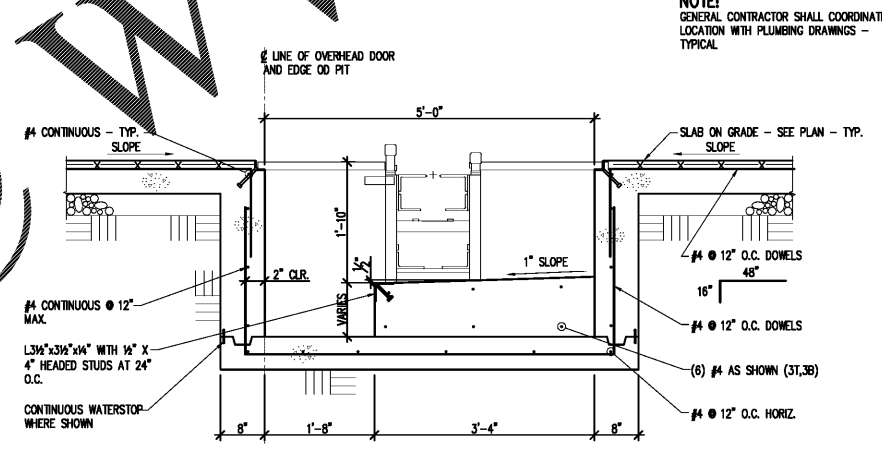
6 PLAN DETAIL OF CMU PILASTER
SCALE: 3/4"=1'-0"



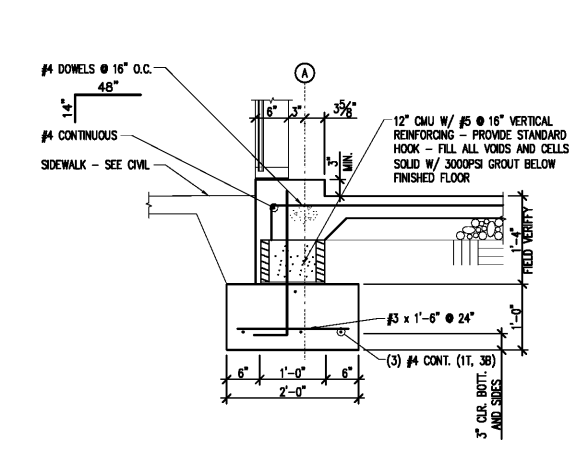
7 SECTION AT SLAB CURB
SCALE: 3/4"=1'-0"



8 SECTION AT DOOR OPENING
SCALE: 3/4"=1'-0"



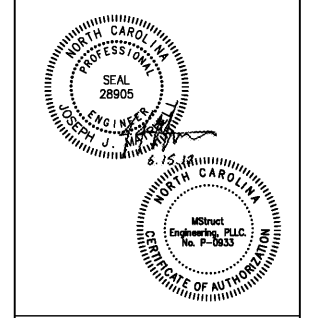
9 SECTION THRU TRENCH
SCALE: 3/4"=1'-0"



10 SECTION AT NEW OPENING
SCALE: 3/4"=1'-0"

Project
Sam's Xpress Car Wash
4965 University Parkway
Winston-Salem, NC 27106

Owner
Sam's M...
293 Church Place
Suite 200
Matthews, NC 28105



R4
ARCHITECTURE, P.A.

124 Floyd Smith Dr
Suite 375
Charlotte, NC 28262
Tel - 704 - 688-7500

7301 Rivers Avenue
Suite 188
North Charleston, SC 29406
Tel - 843 - 531-6848

www.R4architecture.com

Revision	Date

Drawn By PJW
Checked By JJM
Issue Date 06.15.17
Project No 170382

Sheet Title
FOUNDATION SECTIONS AND DETAILS

Sheet Number
S302



Order Plans @

WWW.DLINE.COM

ALL RIGHTS RESERVED AND REPRODUCED HEREUNDER WITHOUT THE WRITTEN PERMISSION OF R4 ARCHITECTURE, P.A. ANY UNAUTHORIZED REPRODUCTION IS STRICTLY PROHIBITED. CONSULT THE ORIGINAL DRAWINGS FOR THE MOST CURRENT REVISIONS.