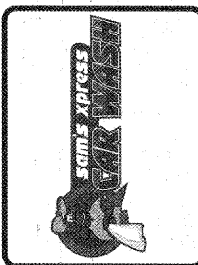
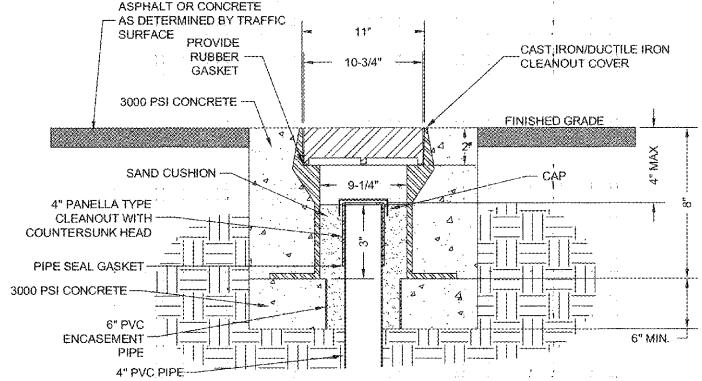
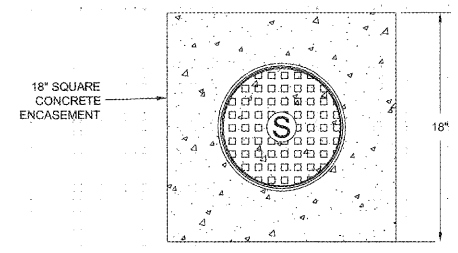


| | | | |
|-----|------|----|----------|
| NO. | DATE | BY | REVISION |
| | | | |

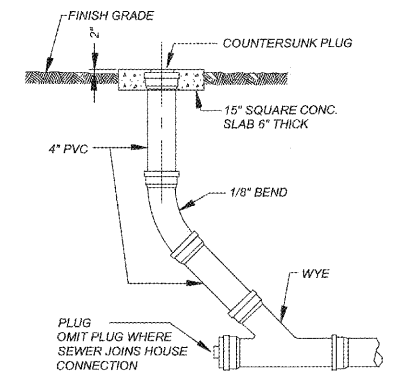


SAM'S XPRESS CAR WASH
 4965 University Parkway
 WINSTON-SALEM, NORTH CAROLINA
SAM'S REAL ESTATE
 7935 COUNCIL PLACE, SUITE 102
 MATTHEWS, NC 28105

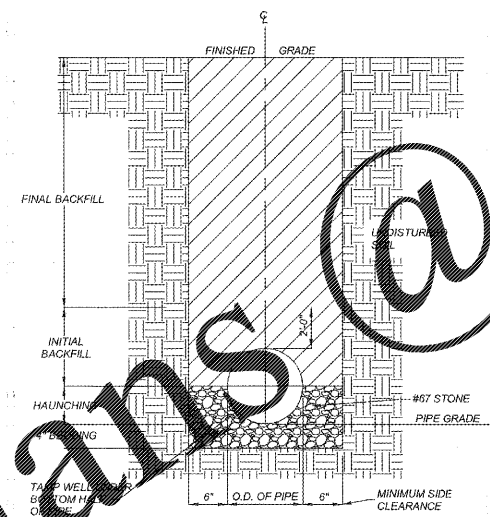
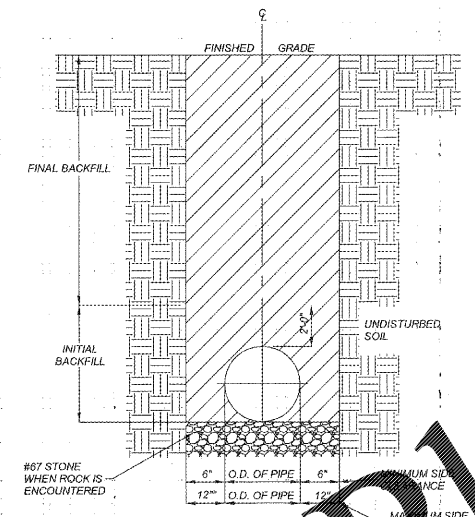
| | | | |
|----------------|------------|--------------|------------|
| UTILTY DETAILS | | | |
| DESIGNED BY | JAL | CHECKED BY | JAL |
| DATE | 06/28/2017 | DATE | 06/28/2017 |
| SCALE | AS SHOWN | SHEET NUMBER | 17-07D |



CLEANOUT COVER ASSEMBLY TRAFFIC AREA



SANITARY SEWER CLEANOUT



NOTES:
 1. TRENCHES REQUIRING SHORING AND BRACING, DIMENSIONS SHALL BE TAKEN FROM THE INSIDE FACE OF THE SHORING AND BRACING.
 2. NO ROCKS OR BOULDERS 4" OR LARGER TO BE USED IN INITIAL BACKFILL.
 3. ALL BACKFILL MATERIAL SHALL BE SUITABLE NATIVE MATERIAL.
 4. BACKFILL SHALL BE TAMPED IN 6" LIFTS IN TRAFFIC AREAS, 12" IN NON-TRAFFIC AREAS.
 5. ACHIEVE 80% COMPACTION IN NON-TRAFFIC AREAS, AND 95% COMPACTION IN TRAFFIC AREAS.
 6. IF IN EXISTENT 4" TOPSIDE CLEANOUT, SELECT FILL IS REQUIRED. NO BOULDERS 6" IN DIAMETER OR GREATER ALLOWED.
 7. TRENCH BOTTOM DIMENSIONS & BACKFILLING REQUIREMENTS FOR DUCTILE IRON AND REINFORCED CONCRETE PIPE.

TYPICAL TRENCH BOTTOM DIMENSIONS FOR SDR 35 PVC GRAVITY PIPE
 1. FOR TRENCHES REQUIRING SHORING AND BRACING, DIMENSIONS SHALL BE TAKEN FROM THE FACE OF THE SHORING AND BRACING.
 2. NO ROCKS OR BOULDERS 4" OR LARGER TO BE USED IN INITIAL BACKFILL.
 3. ALL BACKFILL MATERIAL SHALL BE SUITABLE NATIVE MATERIAL.
 4. BACKFILL SHALL BE TAMPED IN 6" LIFTS IN TRAFFIC AREAS, 12" IN NON-TRAFFIC AREAS.
TRENCH BOTTOM DIMENSIONS & BACKFILLING REQUIREMENTS FOR PVC GRAVITY SEWER MAIN

TRENCH DETAILS

www.LDILine.com

Order Plans @