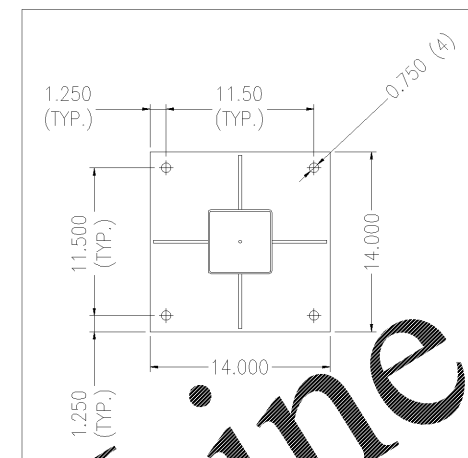
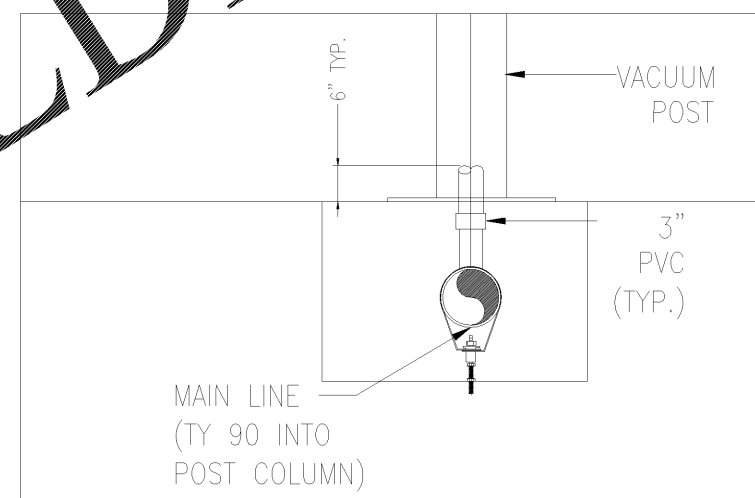
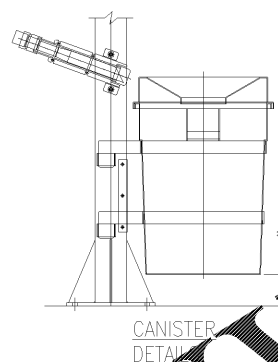


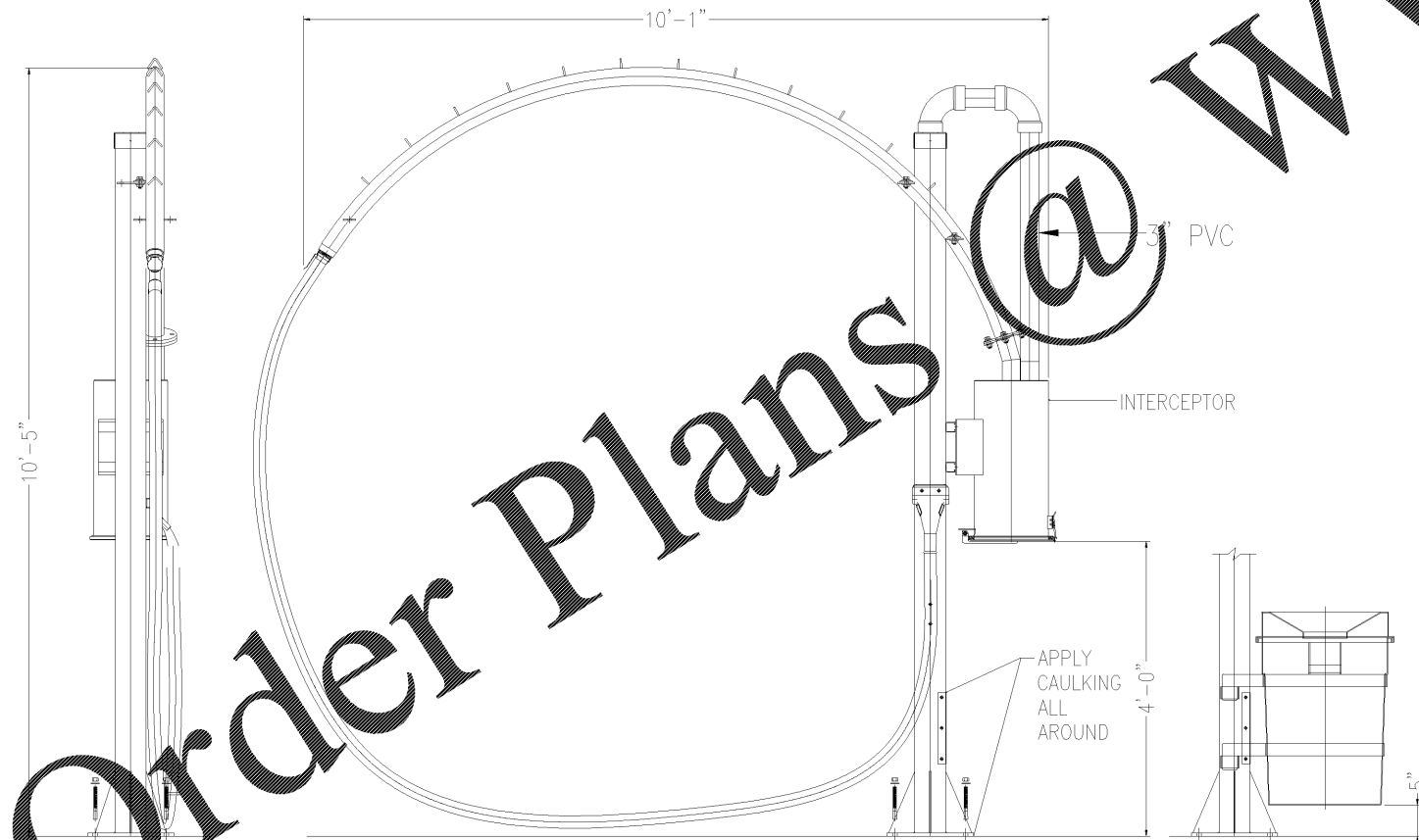
DRAWING #1 - DOUBLE ARCH  
ELEVATION VIEW  
SCALE N.T.S



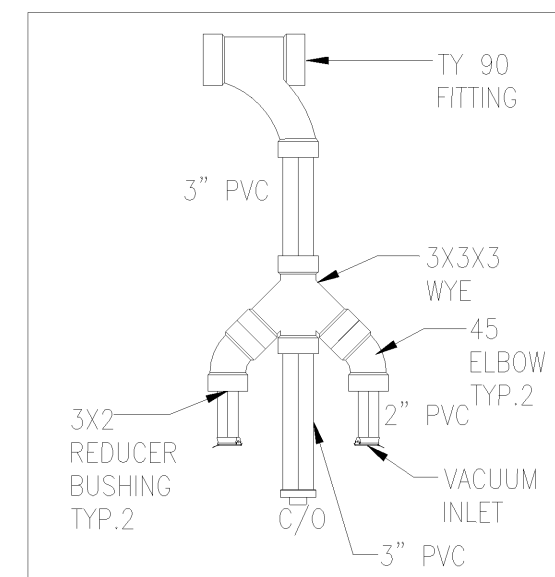
DRAWING #3 - POST BASE DETAIL  
SCALE N.T.S.  
DIMENSIONS: INCHES



DRAWING #4 - UNDERGROUND PVC LAYOUT  
SCALE N.T.S



DRAWING #2 - SINGLE ARCH  
ELEVATION VIEW  
SCALE N.T.S



DRAWING #5 - HANGING PVC WORKSTATION DROPS  
SCALE N.T.S

Order Plans @

WWW.LDLine.com

REV.	DATE:	DESCRIPTION:
1		
2		
3		
4		
5		

**EUROVAC**  
WWW.EUROVAC.COM  
TEL: 1-800-265-3878

SCALE:	N.T.S.
DATE:	01.06.17
APPROVED BY:	CR

SITE PLAN  
**SAM'S INDIAN TRAIL**  
ARCH DETAILS

DRAWN BY:	AR
SHEET:	2 OF 3