

GENERAL NOTES

- 1 AFTER ALL UNDERGROUND PIPING AND ELECTRIC CONDUITS ARE INSTALLED AND DURING EXCAVATION, BACKFILLING, AND CONCRETE POURING; A CONTINUOUS HYDROSTATIC TEST SHALL BE PERFORMED ON ALL SUMPS AND SPILL BUCKETS TO ENSURE TIGHTNESS AND PROPER INSTALLATION.
- 2 SUMP TO BE CLEANED OF DEBRIS AND DRIED AFTER TESTING.

FS9 KEYNOTES

- 1 SOURCE IN NORTH AMERICA TO SUPPLY U-BOLTS TO SECURE PIPING TO CROSS BRACKETS SUPPLIED BY GILBARCO.
- 2 CRITICAL - MUST HAVE 2" RAIN LIP ABOVE INTEGRAL RAIN LIP FRAME.
- 3 SHEAR SECTIONS OF SHEAR VALVES SHALL BE MOUNTED FLUSH WITH TOP OF PAVEMENT.

STIPULATION FOR REUSE:
THIS DRAWING IS THE PROPERTY OF HARRISON FRENCH ARCHITECTS ENGINEERS INTERIORS. IT IS TO BE USED ONLY FOR THE PROJECT AND SITE SPECIFICALLY IDENTIFIED HEREIN. IT IS NOT TO BE REPRODUCED, COPIED, OR TRANSMITTED IN ANY FORM OR BY ANY MEANS, ELECTRONIC OR MECHANICAL, INCLUDING PHOTOCOPYING, RECORDING, OR BY ANY INFORMATION STORAGE AND RETRIEVAL SYSTEM, WITHOUT THE WRITTEN PERMISSION OF HARRISON FRENCH ARCHITECTS ENGINEERS INTERIORS. REPRODUCTION OF THIS DRAWING FOR ANY OTHER PROJECT IS STRICTLY PROHIBITED AND WILL BE CONSIDERED A VIOLATION OF THE LAW.

SAM'S MART
US HY 74 & TECHNOLOGY BLVD
INDIAN TRAIL, NC 28079

JOB NUMBER: 07-16-80004

ISSUE BLOCK

NO.	DATE	DESCRIPTION

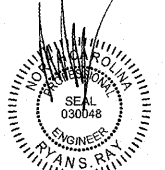
STORE NO: _____

DOCUMENT DATE: 05-31-17

CHECKED BY: BKH

DRAWN BY: JMA

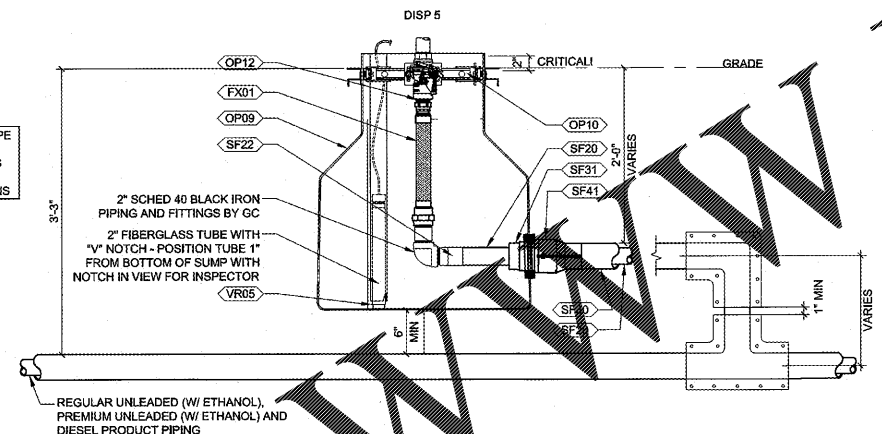
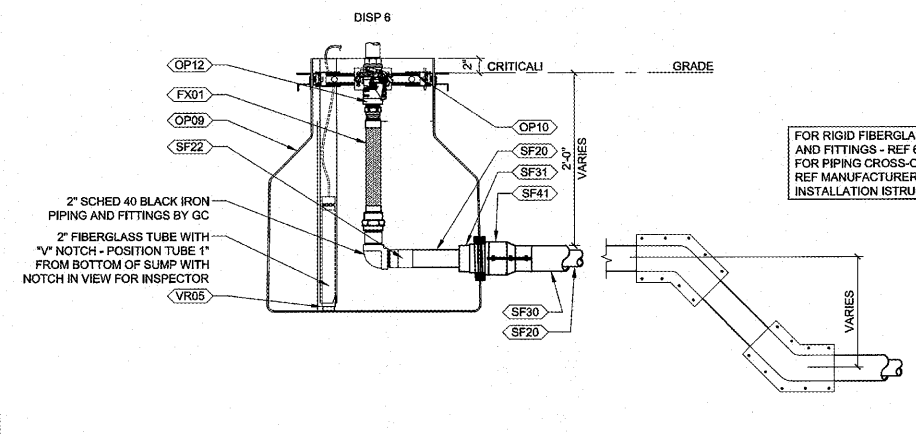
PROTO CYCLE: MAY-2017



HARRISON FRENCH AND ASSOCIATES, PLLC
P-0402
JUN 01 2017

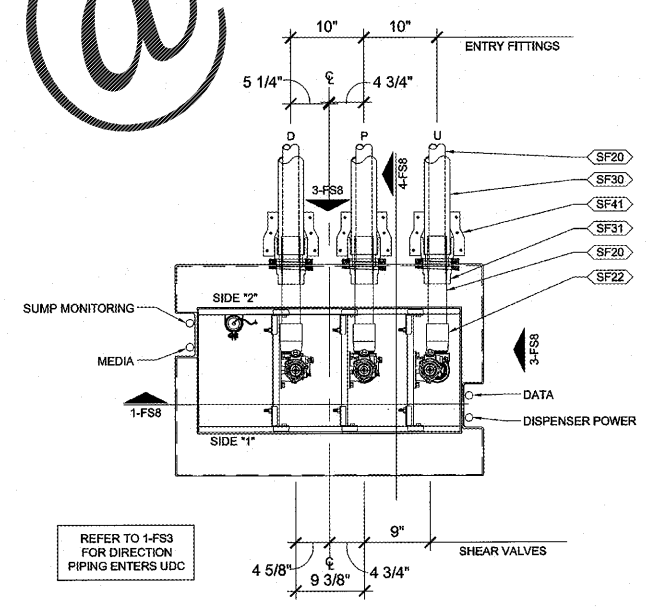
DIESEL DISPENSER AND SUMP DETAILS

SHEET: **FS9**

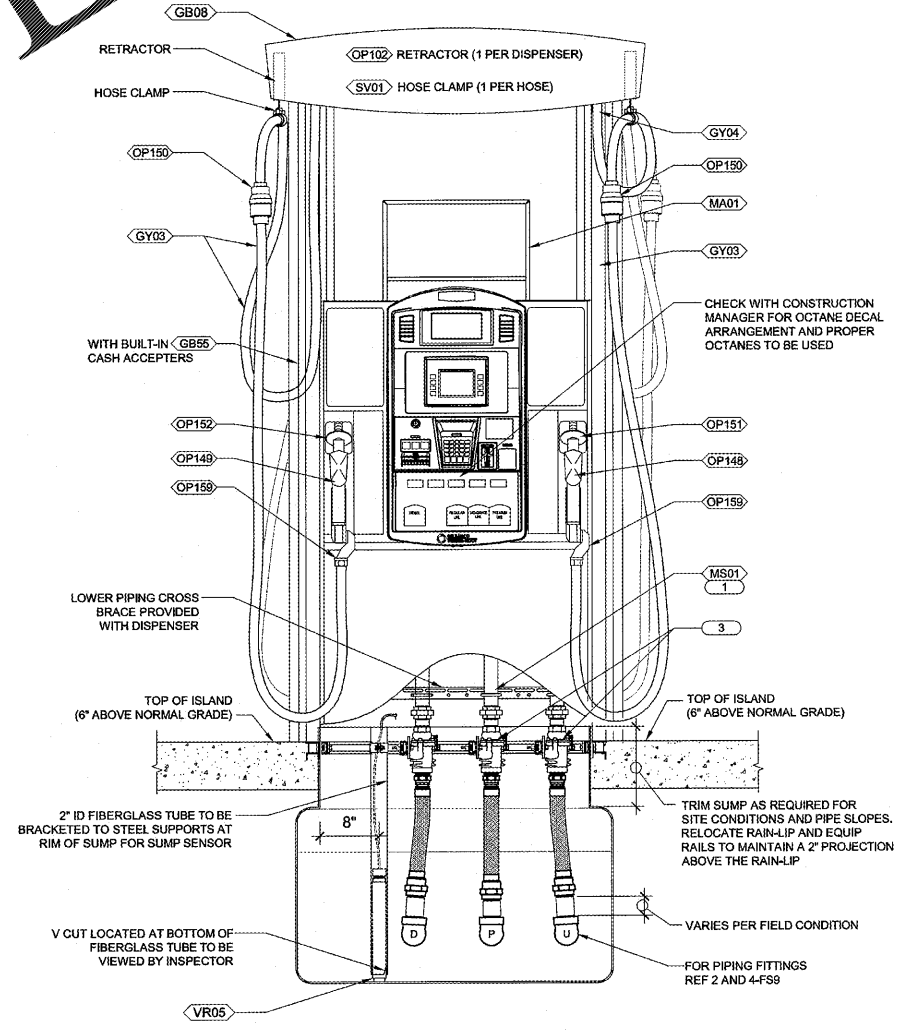


DISPENSERS SHALL BE PROGRAMMED TO LIMIT UNINTERRUPTED FUEL DELIVERY TO 25 GALLONS AND REQUIRE A MANUAL ACTION TO RESUME FUEL DELIVERY

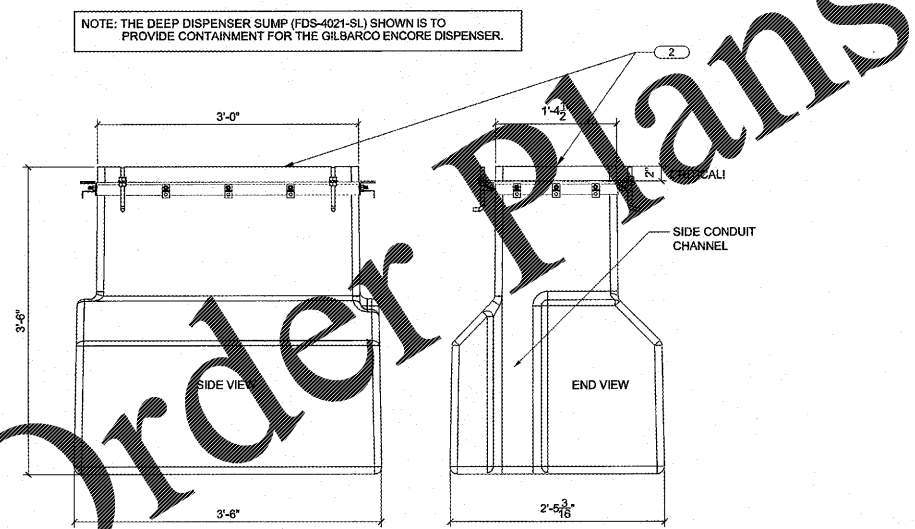
4 DISPENSER SUMP SECTIONS
1" = 1'-0"



2 DISPENSER SUMP - PLAN VIEW
1" = 1'-0"



1 GILBARCO ENCORE 700S (3+1) DISPENSER
1" = 1'-0"



3 DISPENSER SUMP ELEVATIONS
1" = 1'-0"

Order Plans