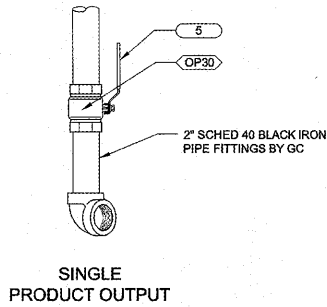
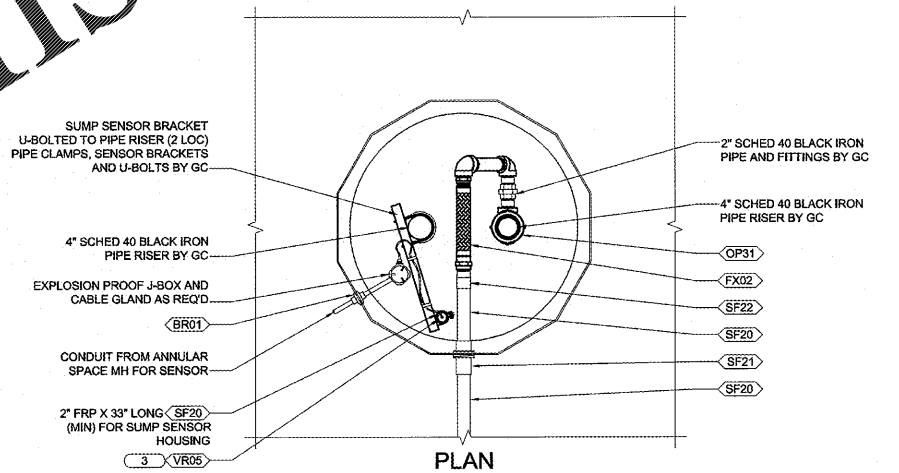
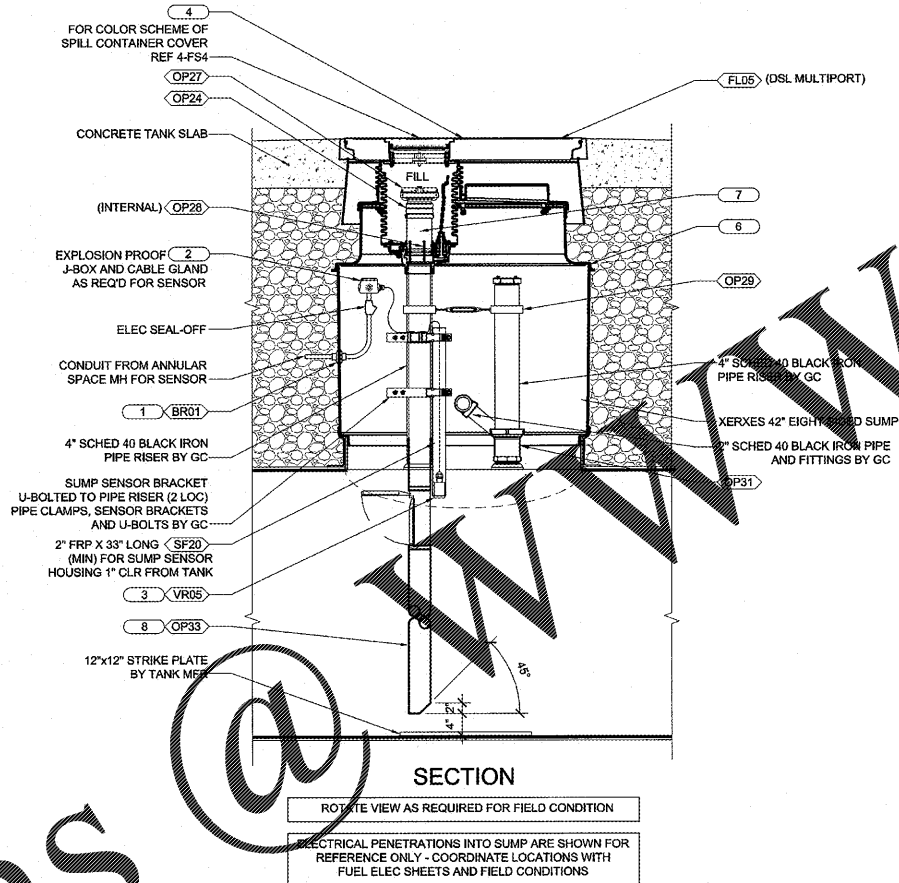


LAY-UP SAMPLES SHOWN ARE FOR REFERENCE ONLY. REFER TO MANUFACTURER'S INSTALLATION INSTRUCTIONS FOR SPECIFIC LAY-UP MATERIALS AND METHODS.

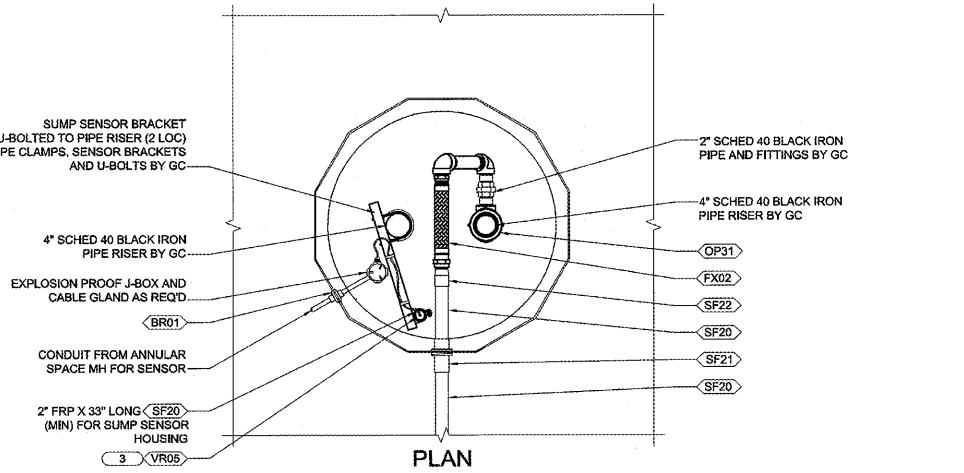
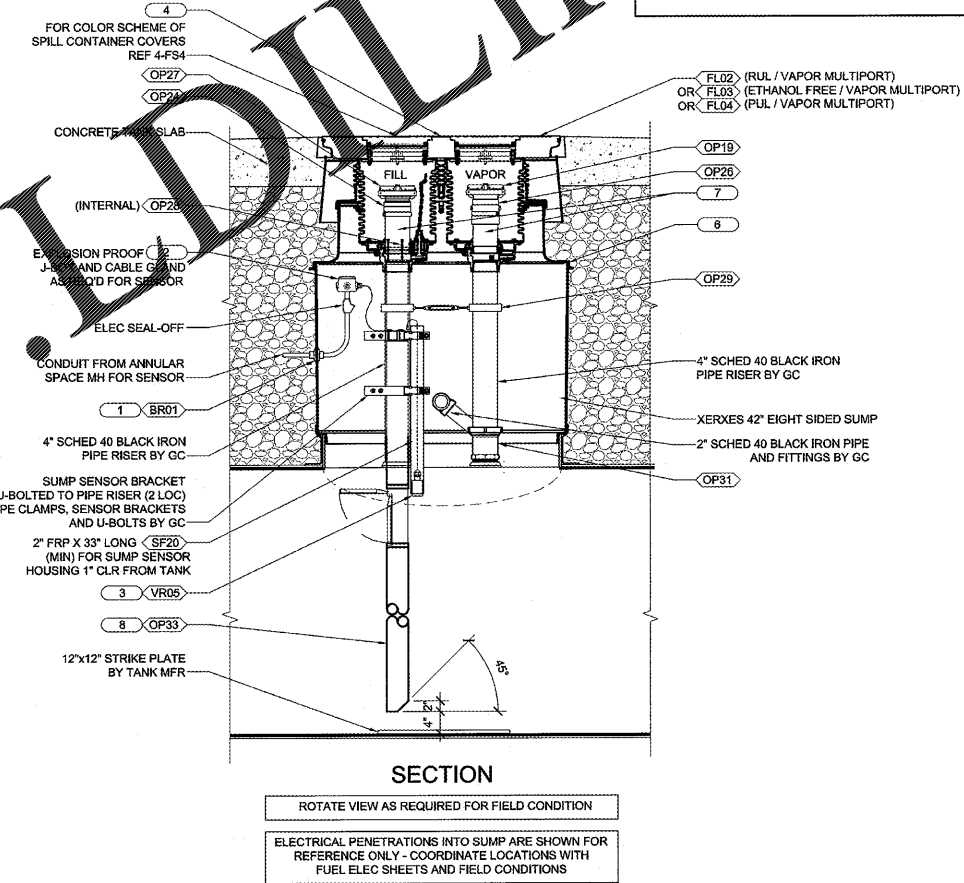
5 TANK SUMP LAYUP DETAILS  
NTS



4 FUEL PLUMBING TREE DETAIL  
1 1/2"=1'-0"



2 3-COMPARTMENT TANK DIESEL FILL SPILL CONTAINER DETAIL  
3/4"=1'-0"



1 RUL, PUL AND ETHANOL FREE FILL / VAPOR MULTIPOINT DETAILS  
3/4"=1'-0"

- # FS7 KEYNOTES
- ELECTRICAL CONDUIT(S) TO ENTER SUMP 2" MIN ABOVE HIGHEST PRODUCT PENETRATION.
  - LOCATE ELECTRICAL JUNCTION BOX AT HIGHEST LOCATION IN SUMP RISER FOR EASY ACCESS FROM ABOVE.
  - SUMP SENSOR TO REST AT LOWEST POINT OF SUMP ENCLOSURE ON PRODUCT PIPING SIDE OF SUMP. TANK CONTRACTOR TO SUPPLY UNISTRUT BRACKETS, PIPE CLAMPS AND 2" FRP SLEEVE FOR 2-POINT MOUNTING OF THE SLEEVE.
  - SET MANHOLE COVERS 1" ABOVE NORMAL LAB GRADE AND SLOPE CONCRETE AWAY FROM COVERS AT 1/4" PER FOOT.
  - POSITION BALL VALVE FOR UNEXPECTED RISE OF SHUT-OFF HANDLE.
  - OPW FIBRETTITE MULTIPOINT FROM SUMP BASE AS REQUIRED FOR PRODUCT WEIGHT.
  - ADJUST BLACK IRON PIPE NIPPLE LENGTHS TO ALLOW NO MORE THAN 7" FROM TOP OF COVER TO TOP OF SWIVEL ADAPTERS.
  - INSTALL PREVENTION VALVE INSTALLED PER NFPA 30 REQUIREMENTS. SET OVERFILL DEVICE FOR RESTRICTION OF FLOW AT OR BELOW 90% TANK CAPACITY AND POSITIVE SHUT-OFF AT 95% TANK CAPACITY TO MEET NFPA 30 REQUIREMENTS.

**HFA**  
ARCHITECTS  
ENGINEERS  
INTERIORS  
HARRISON FRENCH  
ASSOCIATES, PLLC  
105 S. Wall Street, Suite 3  
Charlotte, NC 28212  
Tel: 704.333.7700  
Fax: 704.333.9685  
www.hfa-ac.com

STIPULATION FOR REUSE  
THIS DRAWING AND ANY INFORMATION CONTAINED HEREIN IS THE PROPERTY OF HARRISON FRENCH ARCHITECTS ENGINEERS INTERIORS. IT IS TO BE USED ONLY FOR THE PROJECT AND SITE SPECIFICALLY IDENTIFIED HEREIN. ANY REUSE OF THIS DRAWING FOR ANY OTHER PROJECT WITHOUT THE WRITTEN PERMISSION OF HARRISON FRENCH ARCHITECTS ENGINEERS INTERIORS IS STRICTLY PROHIBITED.

**SAM'S MART**  
US HY 74 & TECHNOLOGY BLVD  
INDIAN TRAIL, NC 28079  
JOB NUMBER: 07-16-80004

ISSUE BLOCK


STORE NO:  
DOCUMENT DATE: 05-31-17  
CHECKED BY: BKH  
DRAWN BY: JMA  
PROTO CYCLE MAY-2017

Professional Engineer Seal for Harrison French, License No. 030448, State of North Carolina.

HARRISON FRENCH AND ASSOCIATES, PLLC  
P-0402  
JUN 01 2017

MULTIPOINT SUMP DETAILS  
SHEET: FS7