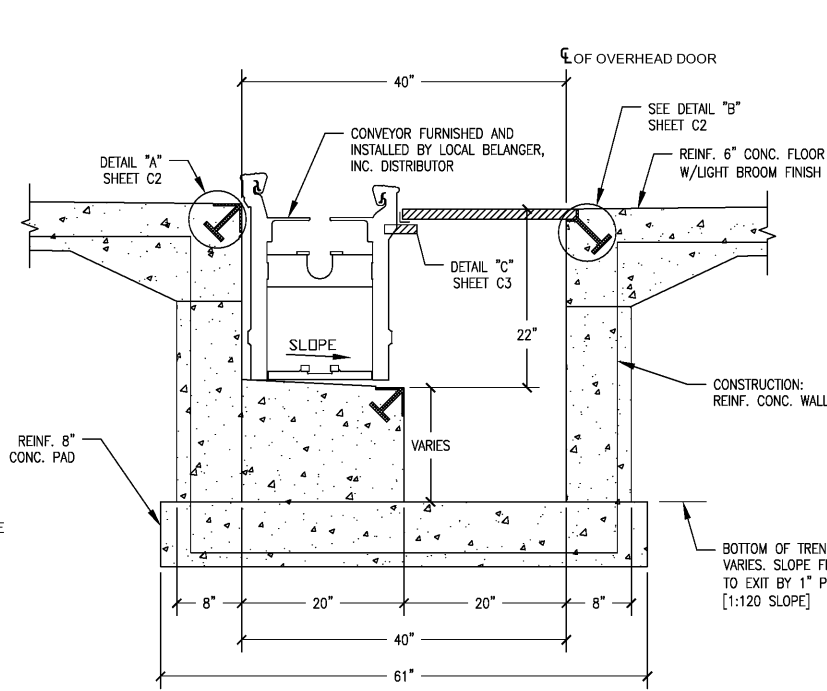
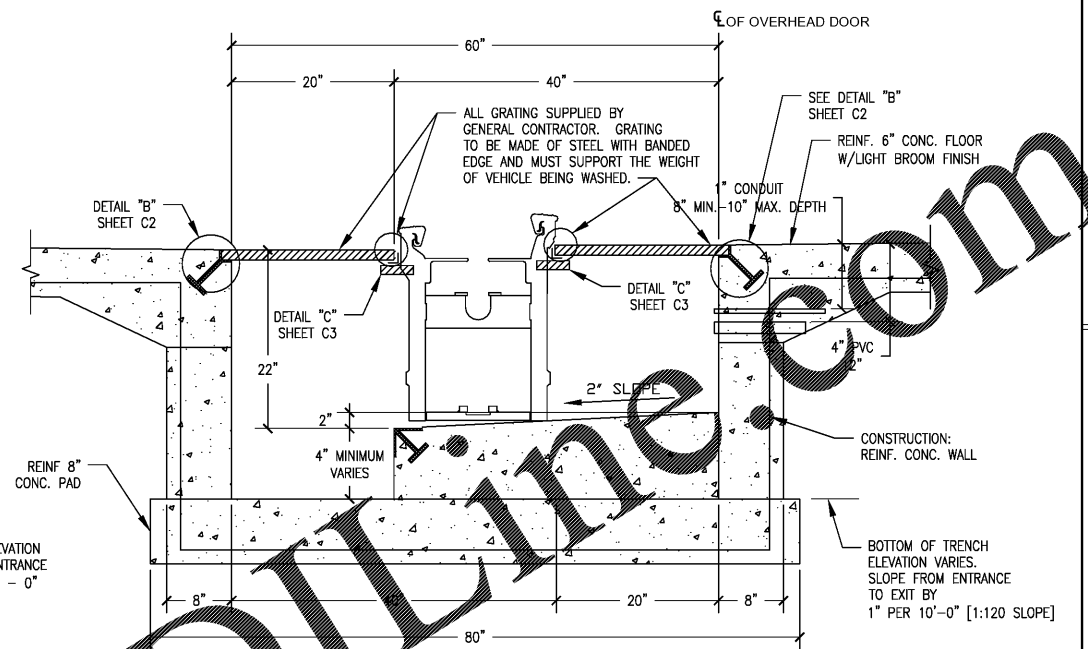


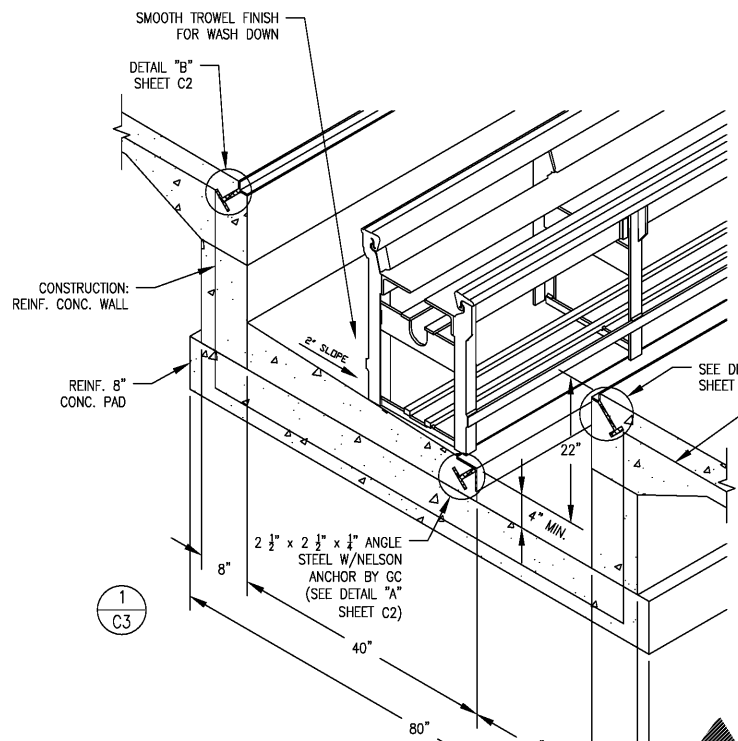
1 SECTION: ENTRANCE END CONVEYOR TRENCH  
C3 SCALE: 1" = 1'-0"



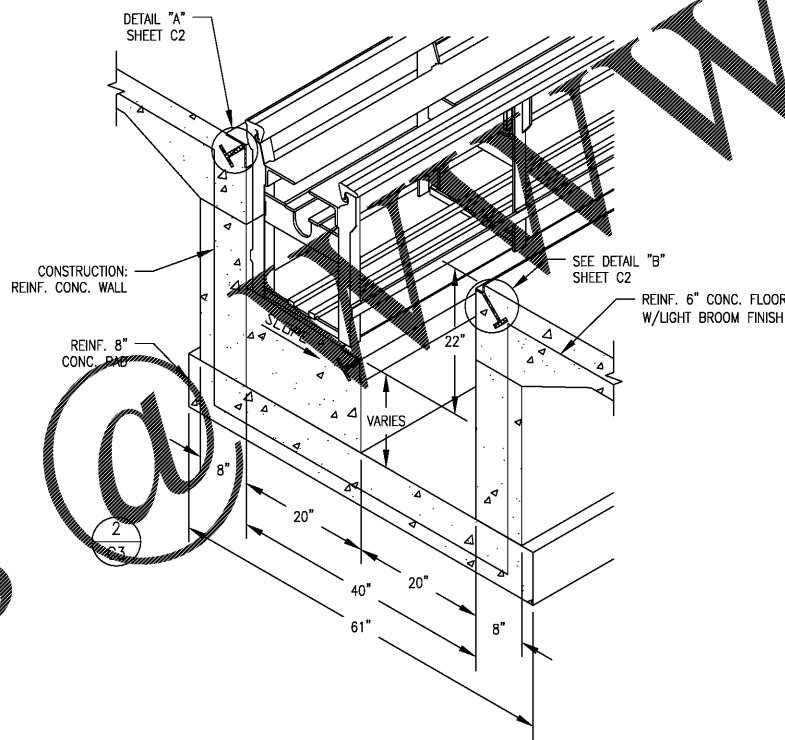
2 SECTION: CENTER CONVEYOR TRENCH  
C3 SCALE: 1" = 1'-0"



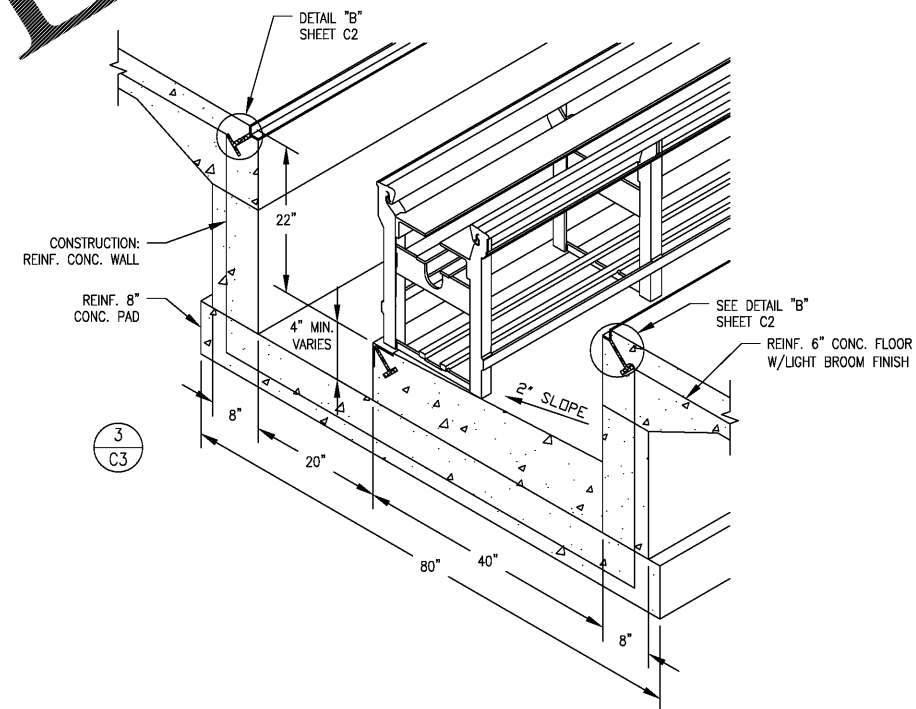
3 SECTION: EXIT END CONVEYOR TRENCH  
C3 SCALE: 1" = 1'-0"



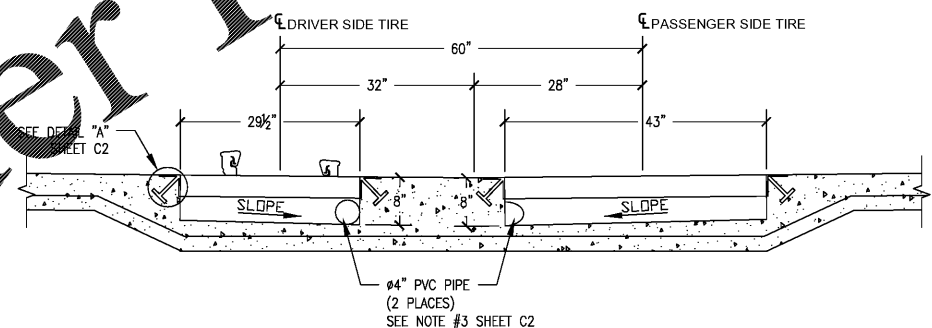
1 C3



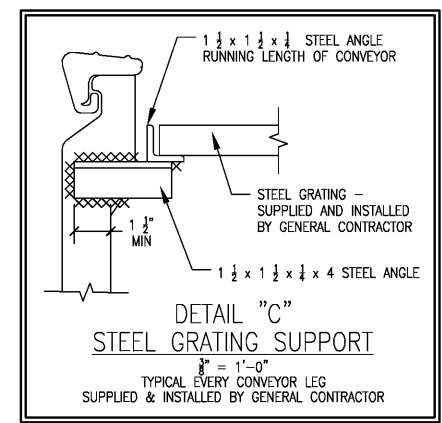
2 C3



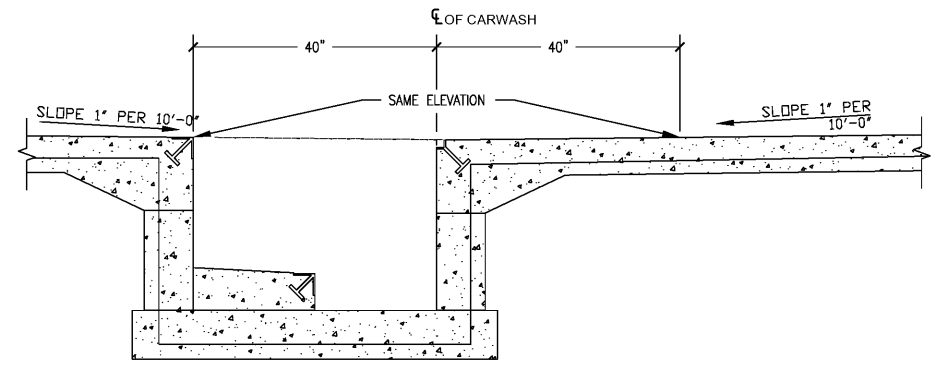
3 C3



4 INGROUND CORRELATOR CONCRETE PIT SECTION  
C3 SCALE: 3/4" = 1'-0"



DETAIL 'C' STEEL GRATING SUPPORT  
TYPICAL EVERY CONVEYOR LEG SUPPLIED & INSTALLED BY GENERAL CONTRACTOR



5 SECTION: FLOOR SLOPE DETAILS  
C3 SCALE: 3/4" = 1'-0"

BELANGER, INC. STANDARD NOTE TO CONTRACTORS: THIS SET OF DRAWINGS AND DOCUMENTS IS PROVIDED AS A SET OF GUIDELINES FOR THE PROJECT. THEY MUST BE READ TO INCORPORATE ALL APPLICABLE FEDERAL, STATE AND LOCAL CODES INCLUDING FEDERAL A.D.A. REQUIREMENTS. THE SET ASSUMES THAT THERE ARE NO UNUSUAL SOIL CONDITIONS. THE FAILURE OF THIS CONDITION MAY REQUIRE SIGNIFICANT CHANGES TO THE DOCUMENTS. IT IS THE RESPONSIBILITY OF THE GENERAL CONTRACTOR TO REFER TO ALL APPLICABLE CODES AND TO INFORM THE OWNERS/ARCHITECTS OF ANY QUESTIONS OR CLARIFICATIONS WHICH ARE DESIRED. CONTRACTORS ARE ASSUMED TO KNOW ALL OBSERVANCE CONDITIONS.

THIS DRAWING IS AND SHALL REMAIN THE PROPERTY OF BELANGER, INC. USE, REPRODUCTION OR ALTERATION OF THIS DRAWING WITHOUT THE EXPRESSED WRITTEN PERMISSION OF BELANGER, INC. IS PROHIBITED.



SAMS EXPRESS - INDIAN TRAIL  
BELANGER CONVEYOR TUNNEL SYSTEM  
STANDARD CONVEYOR FLOOR PLAN DETAILS

DRAWN:	DATE:
S. MCBRIDE	11/28/16
CHECKED:	DATE:
S. MCBRIDE	11/28/16
APPROVED:	DATE:
SCALE:	PAPER:
N.I.S.	22"x34"

REV	DATE	ENGR	APPR	DESCRIPTION
				HARD COPY IS INTENDED TO BE 22"x34" WHEN PRINTED
				SCALE(S) ARE NOT ACCURATE FOR ANY OTHER SIZE