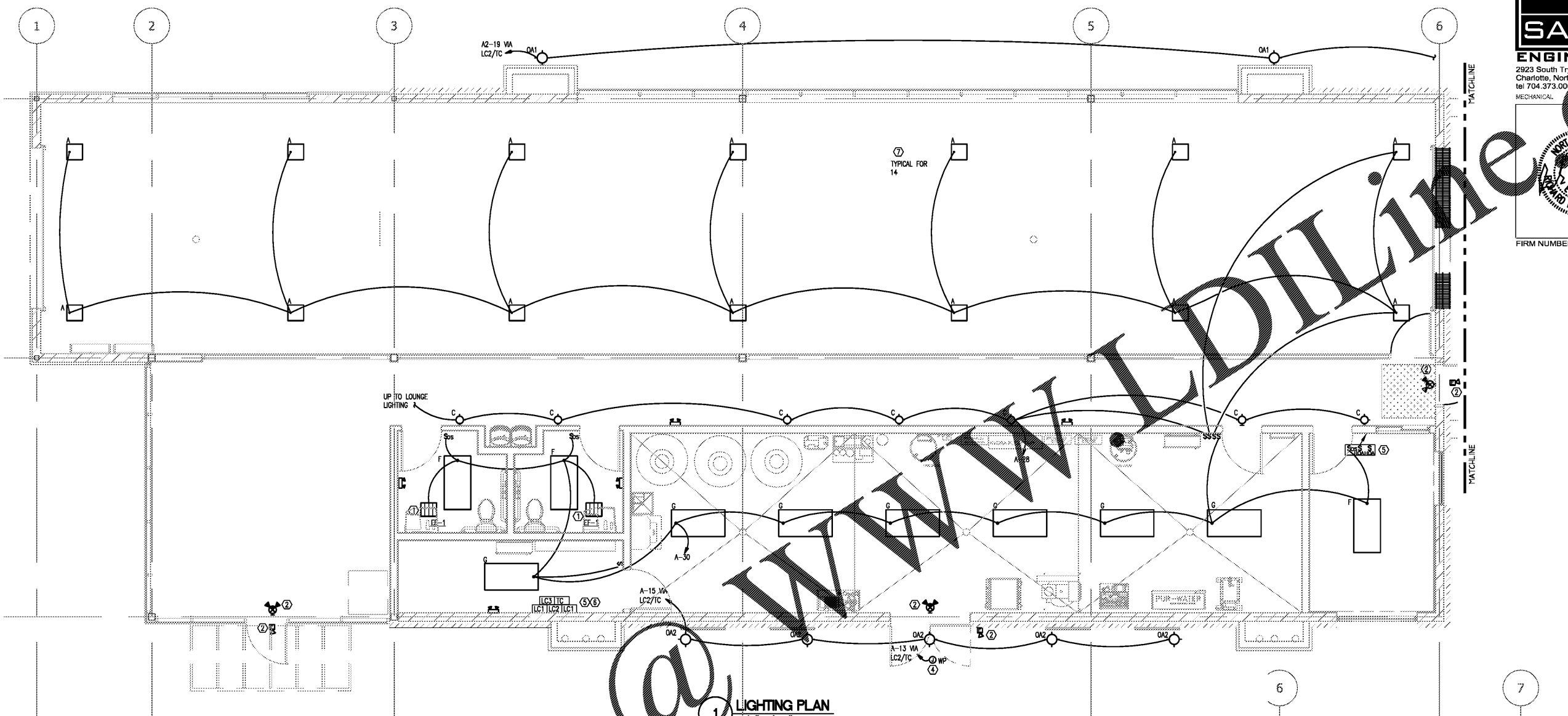
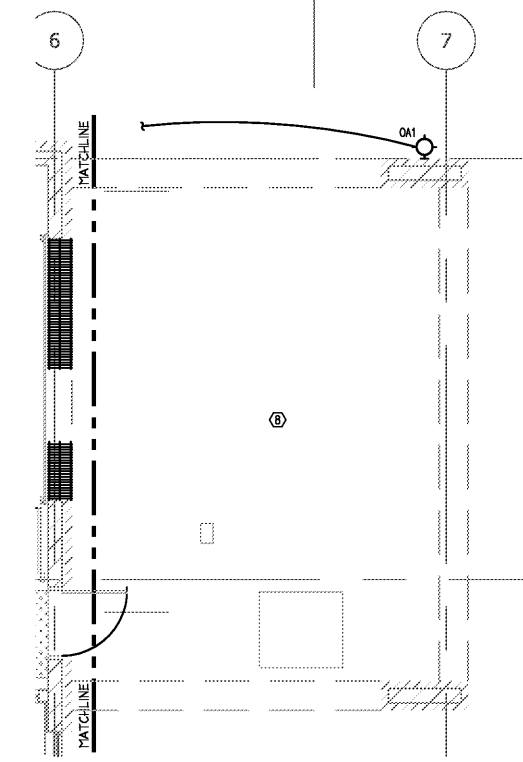



ALL DESIGNS, DRAWINGS AND SPECIFICATIONS DEPICTED ON THIS SHEET ARE THE PROPERTY OF R4 ARCHITECTURE, P.A. ANY UNAUTHORIZED USE OR REPRODUCTION IS SUBJECT TO LEGAL PROSECUTION. POSSESSION IN ANY FORM CONSTITUTES ACCEPTANCE OF THESE CONDITIONS. COPYRIGHT 2017



1 LIGHTING PLAN
1/4" = 1'-0"

- NOTES:
- ① INTERLOCK EXHAUST FAN WITH RESTROOM LIGHT SWITCHING.
 - ② CONNECT ALL EXIT AND EMERGENCY LIGHTS TO NEAREST LIGHTING CIRCUIT, AHEAD OF ANY LOCAL SWITCHING, TYPICAL FOR EACH.
 - ③ COORDINATE ALL LIGHTING FIXTURE/JUNCTION BOX LOCATIONS AND MOUNTING HEIGHTS WITH ARCHITECTURAL ELEVATIONS.
 - ④ COORDINATE SIGNAGE AND EXTERIOR FINISHES PROVIDERS FOR POWER REQUIREMENTS AND CONNECTION POINTS ON BUILDING FOR BACK-LITE ACRYLIC PANELS (3 EXTERIOR SIDES OF CAR WASH EXIT), LIGHT RAILS (EXTERIOR LONG SIDES OF BUILDING) AND EXTERIOR BUILDING SIGNAGE (ABOVE EXTERIOR EQUIPMENT ROOM DOOR AND AT CAR WASH EXIT). SEE ARCHITECTURAL PLANS FOR BUILDING ELEVATIONS. CIRCUIT VIA LC2/TC COMBINATION AS PER NOTE 6 THIS SHEET.
 - ⑤ PROVIDE LIGHTING CONTACTOR (LC2) CONTROLLED BY A PHOTOCELL. PROVIDE HOA (HANDS OF AUTOMATIC) OVERRIDE ON/OFF SWITCHES FOR MANUAL TEMPORARY CONTROL OF CIRCUITS CONTROLLED. LOCATE HOA SWITCHES IN OFFICE, FIELD VERIFY LOCATION WITH OWNER.
 - ⑥ INSTALL TIME CLOCKS AND LIGHTING CONTACTORS HIGH ON WALL.
 - ⑦ VERIFY LIGHTING FIXTURE TYPE AND LOCATION WITH OWNER PRIOR TO INSTALLATION.
 - ⑧ SEE SITE PLAN SHEET E102 FOR SOFFIT LIGHTING.







Saber Engineering
2923 South Tryon Street
Charlotte, North Carolina
tel 704.373.0068

Project
Sam's Mart
E. Independence Blvd.
Indian Trail, NC 28097

Owner
Sam's Mart
280773 Council Place
Suite 200
Matthews, NC 28105



Jan 30, 2017
FIRM NUMBER = C-2130



R4
ARCHITECTURE, P.A.

124 Floyd Smith Dr
Suite 375
Charlotte, NC 28262
Tel - 704 - 688-7500

7301 Rivers Avenue
Suite 188
North Charleston, SC 29406
Tel - 843 - 531-6848

www.R4architecture.com

Revision	Date
----------	------

Drawn By Saber
Checked By Saber
Issue Date 07-05-17
Project No 160345

Sheet Title
ELECTRICAL
LIGHTING PLAN

Sheet Number
E202

Order Plans