

ALL DESIGNS, DRAWINGS AND SPECIFICATIONS DEPICTED ON THIS SHEET ARE THE PROPERTY OF R IV ARCHITECTURE, P.A. ANY UNAUTHORIZED USE OR REPRODUCTION IS SUBJECT TO LEGAL PROSECUTION. COPYRIGHT 2017. POSSESSION IN ANY FORM CONSTITUTES ACCEPTANCE OF THESE CONDITIONS.

**NOTES:**

1. PRIOR TO STARTING ANY UNDERGROUND SERVICE WORK, THE CONTRACTOR SHALL CONTACT THE LOCAL ELECTRICAL UTILITY SERVICE REPRESENTATIVE AND COORDINATE REQUIREMENTS FOR THE TRANSFORMER LOCATION, CONCRETE PAD REQUIREMENTS, SECONDARY CONDUIT AND WIRE AND METERING REQUIREMENTS. ALL WORK AND ANY COST RELATIVE TO THE ABOVE THAT IS THE CONTRACTOR'S RESPONSIBILITY SHALL BE INCLUDED AS PART OF THIS CONTRACT.
2. ELECTRICAL CONTRACTOR SHALL COORDINATE WITH LOCAL TELEPHONE COMPANY TO PROVIDE A COMPLETE UNDERGROUND SERVICE INSTALLATION INTO THE BUILDING. ELECTRICAL CONTRACTOR SHALL PROVIDE (2) 4" CONDUITS WITH FULL CORDS FROM THE CATV BACKBOARD INSIDE THE BUILDING ROUTED OUTSIDE TO DEMARCATION POINT PER RICHTER AND ASSOCIATES ELECTRICAL PLANS.
3. ELECTRICAL CONTRACTOR SHALL COORDINATE WITH LOCAL CATV COMPANY TO PROVIDE A COMPLETE UNDERGROUND SERVICE INSTALLATION INTO THE BUILDING. ELECTRICAL CONTRACTOR SHALL PROVIDE (2) 4" CONDUITS WITH FULL CORDS FROM THE CATV BACKBOARD INSIDE THE BUILDING ROUTED OUTSIDE TO DEMARCATION POINT PER RICHTER AND ASSOCIATES ELECTRICAL PLANS.


**NOTES:**

- ① PROVIDE (1) 1" DATA CONDUIT AND (1) 1" POWER CONDUIT FROM PAYSTATION TO EQUIPMENT ROOM.
- ② PROVIDE (1) 1" CONDUIT BETWEEN PAYSTATIONS.
- ③ PROVIDE (3) 2" CONDUITS AND (3) 1" CONDUITS FOR VACUUM SENSORS.
- ④ APPROXIMATE LOCATION OF MDP IN EQUIPMENT ROOM. FIELD VERIFY LOCATION AND CONDUIT ROUTING.
- ⑤ APPROXIMATE LOCATION OF CATV IN EQUIPMENT ROOM. FIELD VERIFY LOCATION AND CONDUIT ROUTING.
- ⑥ APPROXIMATE LOCATION OF TELE/COMM IN EQUIPMENT ROOM. FIELD VERIFY LOCATION AND CONDUIT ROUTING.
- ⑦ PROVIDE 1/2" CONDUIT BETWEEN GATES.
- ⑧ PROVIDE (1) 1" CONDUIT UNDERGROUND TO ELECTRICAL PANEL 'A' FOR ELECTRICAL CONNECTION. FIELD VERIFY CONDUIT ROUTING.
- ⑨ PROVIDE CONDUITS AND CONDUCTORS FROM VACUUM CONTROL PANEL TO VACUUM ASSEMBLIES. COORDINATE LOCATIONS WITH OWNER.

- ⑩ PROVIDE (4) #2/0, #6G IN 2" CONDUIT FROM VACUUM CONTROL TO 200A/3P DISCONNECT IN NEMA 3R ENCLOSURE TO EACH VACUUM PUMP.
- ⑪ PROVIDE CONDUITS AND CONDUCTORS FROM VACUUM CONTROL PANEL TO VACUUM ASSEMBLIES. COORDINATE LOCATIONS WITH OWNER.
- ⑫ PROVIDE (4) #3/0, #6G IN 2" CONDUIT FROM VACUUM CONTROL TO 200A/3P DISCONNECT IN NEMA 3R ENCLOSURE TO EACH VACUUM PUMP.
- ⑬ VACUUM CONTROL PANEL.
- ⑭ PROPOSED ELECTRICAL SERVICE TRANSFORMER LOCATION. COORDINATE EXACT LOCATION WITH LOCAL UTILITY PRIOR TO PROJECT START UP.
- ⑮ ELECTRICAL SERVICE ENTRANCE LOCATION.
- ⑯ ELECTRICAL METER CAN.
- ⑰ AIR SOLUTIONS ELECTRONIC AIR TOWER. FIELD VERIFY LOCATION PRIOR TO INSTALLATION. VERIFY ELECTRICAL CONNECTION WITH MANUFACTURERS INSTALLATION REQUIREMENTS.
- ⑱ ELECTRICAL CONTRACTOR TO PROVIDE AND INSTALL SECONDARY CONDUIT AND WIRING. FIELD VERIFY ROUTING PRIOR TO INSTALLATION. SEE ELECTRICAL RISER DIAGRAM FOR WIRE AND CONDUIT SIZE.
- ⑲ PROVIDE HP SPEAKERS IN CANOPY EQUALLY SPACED. SPEAKER INSTALLER TO FIELD VERIFY LOCATION, WIRING AND SPEAKER TYPE.
- ⑳ PROVIDE 1" UNDERGROUND CONDUIT TO MEDIA CENTER. FIELD COORDINATE EXACT CONDUIT TERMINATION LOCATION WITHIN BUILDING.
- ㉑ PRIMARY BY UTILITY, E.C. TO PROVIDE (2) 6" PVC CONDUITS UNDER PAVEMENT TO PROPERTY LINE AS DIRECTED BY LOCAL UTILITY.
- ㉒ FIELD COORDINATE EXACT CONDUIT TERMINATION LOCATION WITH UTILITY PRIOR TO PROJECT START UP.

MARK	MANUF.	CATALOG NUMBER	LAMP DATA		VOLTS	BALLAST DATA		INPUT WATTS	MOUNTING	DESCRIPTION
			NO.	TYPE		NO.	TYPE			
EHO-3MB-1A	CREE	ARE-EHO-3MB-HV-12-E-UL-SV-1000	1	LED	MVOLT	-	-	421	POLE	SINGLE HEAD PARKING LOT LIGHTING FIXTURE. MOUNTING HEIGHT 22'-0" AFG.
EHO-4M-1A	CREE	ARE-EHO-4M-HV-12-E-UL-SV-1000	1	LED	MVOLT	-	-	421	POLE	SINGLE HEAD PARKING LOT LIGHTING FIXTURE. MOUNTING HEIGHT 22'-0" AFG.
EHO-4M-1B	CREE	ARE-EHO-4M-HV-12-E-UL-SV-1000	1	LED	MVOLT	-	-	267	POLE	SINGLE HEAD PARKING LOT LIGHTING FIXTURE. MOUNTING HEIGHT 22'-0" AFG.
EHO-5M-2B	CREE	ARE-EHO-5M-HV-12-E-UL-SV-700	2	LED	MVOLT	-	-	267	POLE	BACK TO BACK HEADS PARKING LOT LIGHTING FIXTURE. MOUNTING HEIGHT 22'-0" AFG.
SLa	CREE	CAN-304-SL-RS-06-E-UL-WH-525	1	LED	MVOLT	-	-	71	SURFACE	SURFACE MOUNTED CANOPY LIGHTING FIXTURE.
SLb	CREE	SFT-304-PS-RM-06-E-12-WH-525	1	LED	MVOLT	-	-	46	SURFACE	SURFACE MOUNTED CANOPY LIGHTING FIXTURE.
PSa	CREE	PKG-304-PS-DM-04-E-UL-WH-700	1	LED	MVOLT	-	-	94	SURFACE	SURFACE MOUNTED CANOPY LIGHTING FIXTURE.

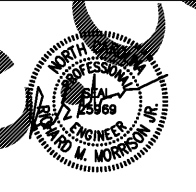
NOTES:  
 1. CATALOG NUMBERS AND MANUFACTURERS ARE TO INDICATE TYPE AND QUALITY OF FIXTURE DESIRED. SUBMIT CUTSHEETS OF THESE AND ALTERNATE MANUFACTURERS TO ARCHITECT AND OWNER APPROVAL PRIOR TO PURCHASE OF ANY FIXTURES. INFORMATION ON ALTERNATE FIXTURES PROPOSED BY THE CONTRACTOR SHALL INCLUDE THE ADDITIONAL ASSOCIATED WITH ACCEPTANCE OF THAT FIXTURE (OR THE ALTERNATE PACKAGE AS A WHOLE).  
 2. MASTER SLAVE WIRING CONFIGURATIONS SHALL BE USED FOR MULTI-LAMP FLUORESCENT FIXTURES WHERE POSSIBLE. THE CONTRACTOR SHALL VERIFY THE QUANTITY AND TYPE OF BALLASTS REQUIRED TO PERMIT BI-LEVEL SWITCHING WHERE INDICATED. WHERE BI-LEVEL LIGHTING IS INDICATED INBOARD AND OUTBOARD LAMPS SHALL BE SWITCHED SEPARATELY.  
 3. EXIT AND EMERGENCY LIGHTING FIXTURES SHALL BE CIRCUITED TO AN UNSWITCHED LEG OF THE LOCAL LIGHTING CIRCUIT, UNLESS NOTED OTHERWISE.



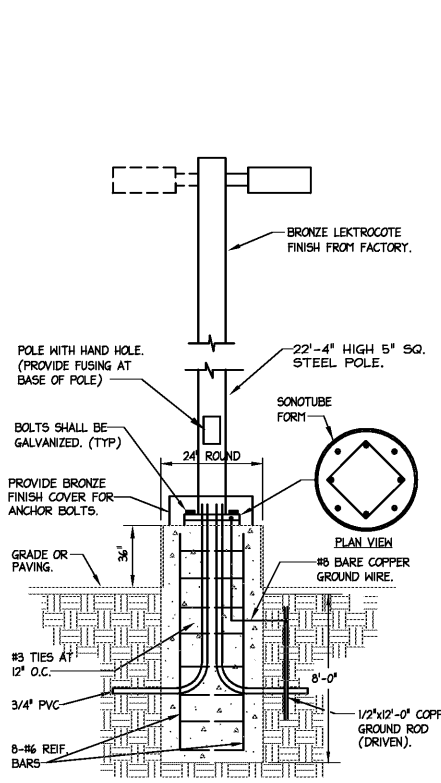
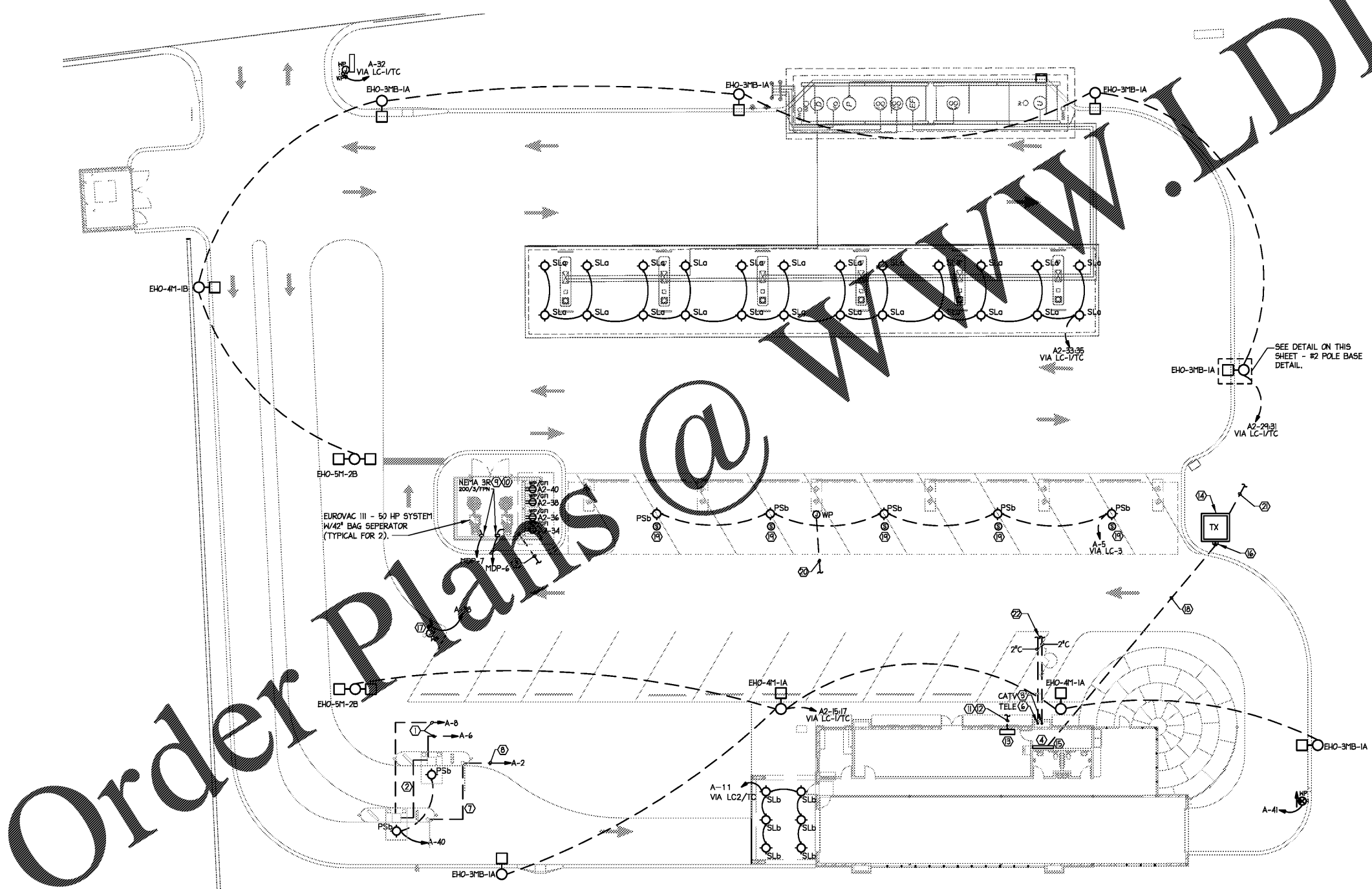
**SABER ENGINEERING**  
 2923 South Tryon Street  
 Charlotte, North Carolina  
 tel 704.373.0068

**Project**  
 Sam's Mart  
 E. Independence Blvd.  
 Indian Trail, NC 28097

**Owner**  
 Sam's Mart  
 2807 W. Council Place  
 Suite 200  
 Matthews, NC 28105



DATE: 03/20/17  
 FIRM NUMBER = C-2130



1 ELECTRICAL SITE LIGHTING PLAN  
 1/16" = 1'-0"

2 POLE BASE DETAIL  
 NO SCALE



124 Floyd Smith Dr  
 Suite 375  
 Charlotte, NC 28262  
 Tel - 704 - 688-7500

7301 Rivers Avenue  
 Suite 188  
 North Charleston, SC 29406  
 Tel - 843 - 531-6848

www.R4architecture.com

Revision      Date

Drawn By      Saber  
 Checked By      Saber  
 Issue Date      07-05-17  
 Project No      160345

Sheet Title  
 ELECTRICAL  
 SITE LIGHTING PLAN

Sheet Number  
**E102**