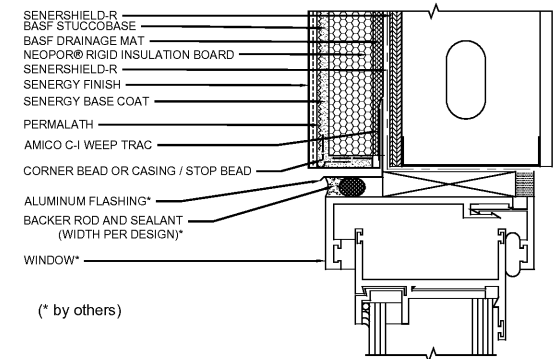
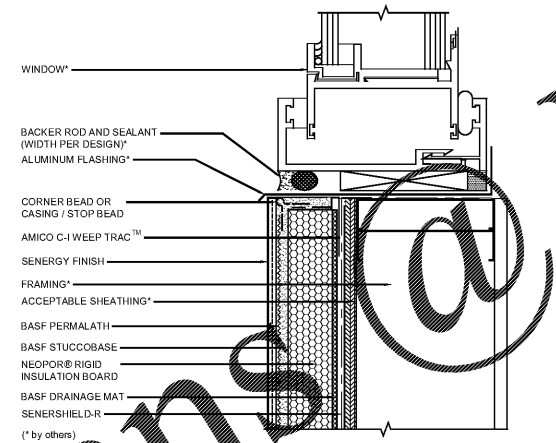


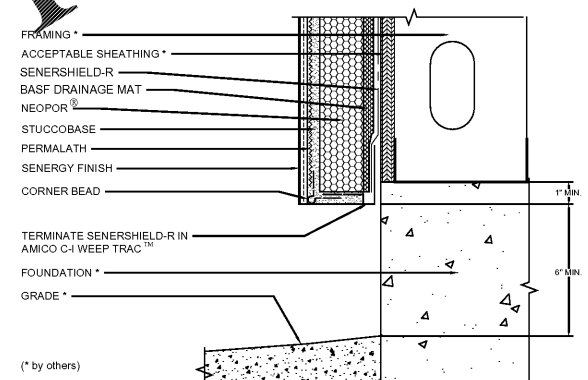
TYPICAL SENERGY PLATINUM CI ULTRA STUCCO WALL SYSTEM APPLICATION- OUTSIDE CORNER



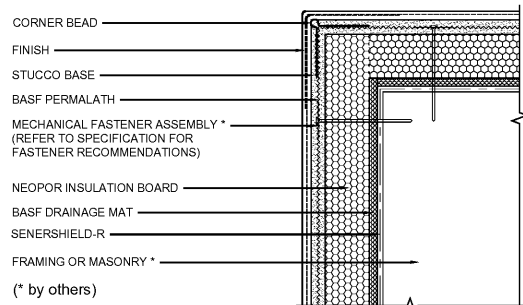
TYPICAL SENERGY PLATINUM CI ULTRA STUCCO WALL SYSTEM APPLICATION- WINDOW HEAD



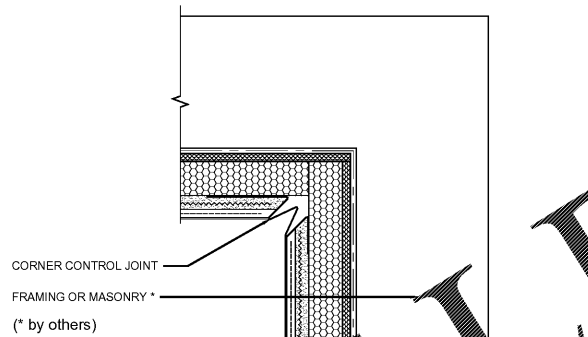
TYPICAL SENERGY PLATINUM CI ULTRA STUCCO WALL SYSTEM APPLICATION - WINDOW SILL



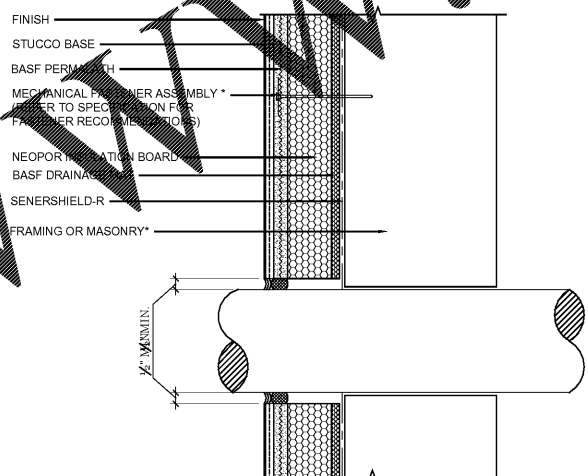
TYPICAL SENERGY PLATINUM CI ULTRA STUCCO WALL SYSTEM APPLICATION - TERMINATION @ GRADE



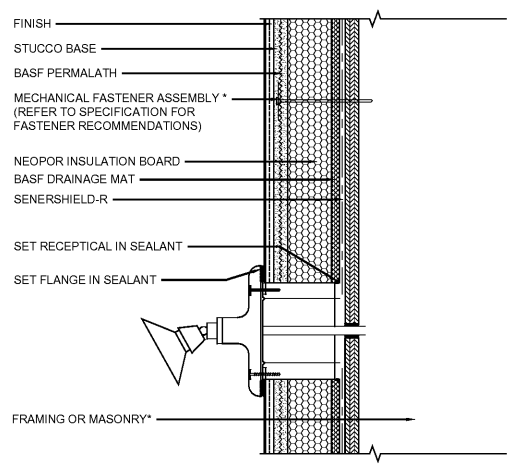
TYPICAL SENERGY PLATINUM CI ULTRA STUCCO WALL SYSTEM APPLICATION- OUTSIDE CORNER



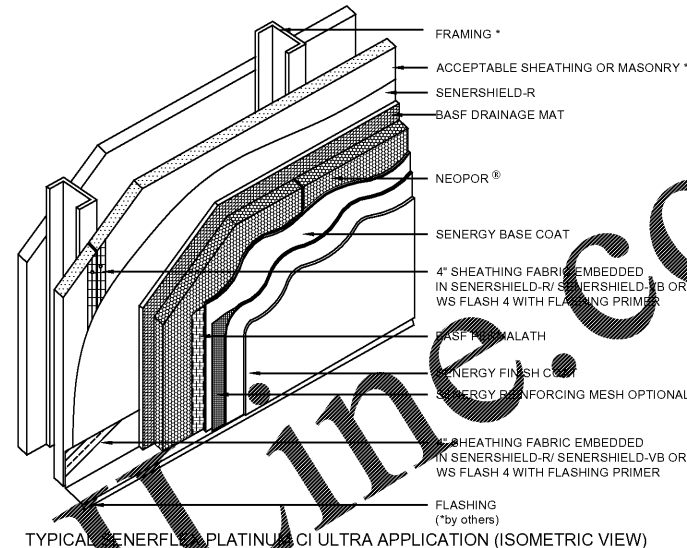
TYPICAL SENERGY PLATINUM CI ULTRA STUCCO WALL SYSTEM APPLICATION- INSIDE CORNER



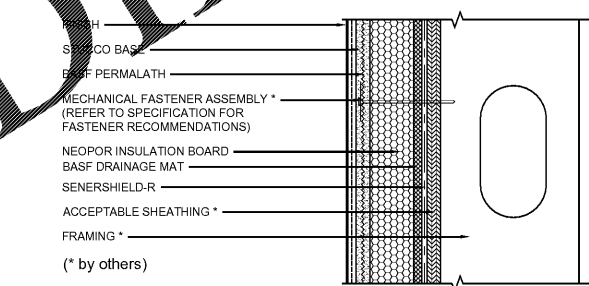
TYPICAL SENERGY PLATINUM CI ULTRA STUCCO WALL SYSTEM APPLICATION- TYPICAL PENETRATION



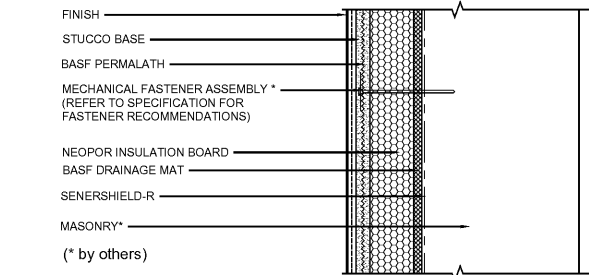
TYPICAL SENERGY PLATINUM CI ULTRA STUCCO WALL SYSTEM APPLICATION- LIGHT FIXTURE



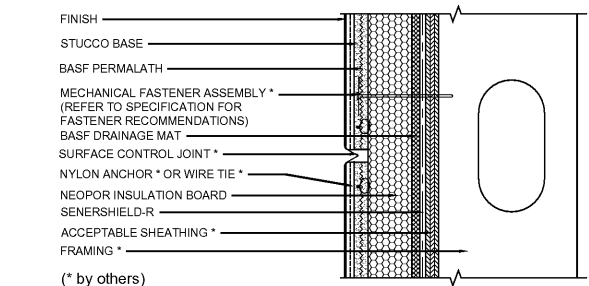
TYPICAL SENERGY PLATINUM CI ULTRA APPLICATION (ISOMETRIC VIEW)



TYPICAL SENERGY PLATINUM CI ULTRA STUCCO WALL SYSTEM APPLICATION- FRAMED/ SHEATHED CONSTRUCTION



TYPICAL SENERGY PLATINUM CI ULTRA STUCCO WALL SYSTEM APPLICATION- MASONRY CONSTRUCTION

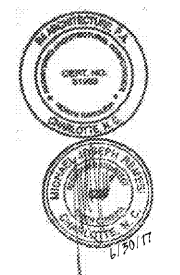


TYPICAL SENERGY PLATINUM CI STUCCO WALL SYSTEM SURFACE CONTROL JOINT

GENERAL NOTES:
 1. THESE DETAILS ARE FOR ILLUSTRATIVE PURPOSES ONLY. ALL STUCCO SYSTEMS TO BE INSTALLED PER MANUFACTURER'S WRITTEN INSTRUCTIONS AND SPECIFICATIONS. CONTACT MANUFACTURER FOR ANY INSTALLATIONS QUESTIONS- TYP.
 2. ALL THRU PENETRATIONS AND TERMINATION (WHETHER NEW OR EXISTING) SHALL BE WATER AND WEATHER TIGHT- TYP. G.C. SHALL NOTIFY ARCHITECT IN OF ANY FIELD CONDITIONS THAT MAY PREVENT THIS- TYP.

Project
 Sam's Mart
 E. Independence Blvd.
 Indian Trail, NC 28097

Owner
 Sam's Mart
 793 Lenoir Place
 Suite 200
 Matthews, NC 28105



R4
 ARCHITECTURE, P.A.

124 Floyd Smith Dr
 Suite 375
 Charlotte, NC 28262
 Tel - 704 - 688-7500

2000 Sam Rittenburg Blvd
 Suite 116
 Charleston, SC 29407
 Tel - 843 - 531-6848

www.R4architecture.com

Revision Date

Drawn By TRB
 Checked By MJR
 Issue Date 06-30-17
 Project No 160345

Sheet Title
 GENERAL DETAILS
 SENERGY PLATINUM CI
 ULTRA STUCCO SYSTEM

Sheet Number
A452

Order Plans @

WWW.LDPLANET.COM