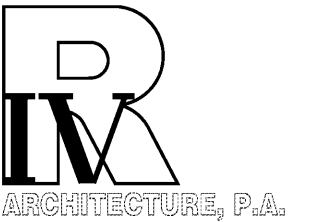


**Project**  
 Sam's Mart  
 E. Independence Blvd.  
 Indian Trail, NC 28097

**Owner**  
 Sam's Mart  
 793 Round Place  
 Suite 100  
 Matthews, NC 28105



**124 Floyd Smith Dr  
 Suite 375  
 Charlotte, NC 28262  
 Tel - 704 - 688-7500**

**2000 Sam Rittenburg Blvd  
 Suite 116  
 Charleston, SC 29407  
 Tel - 843 - 531-6848**

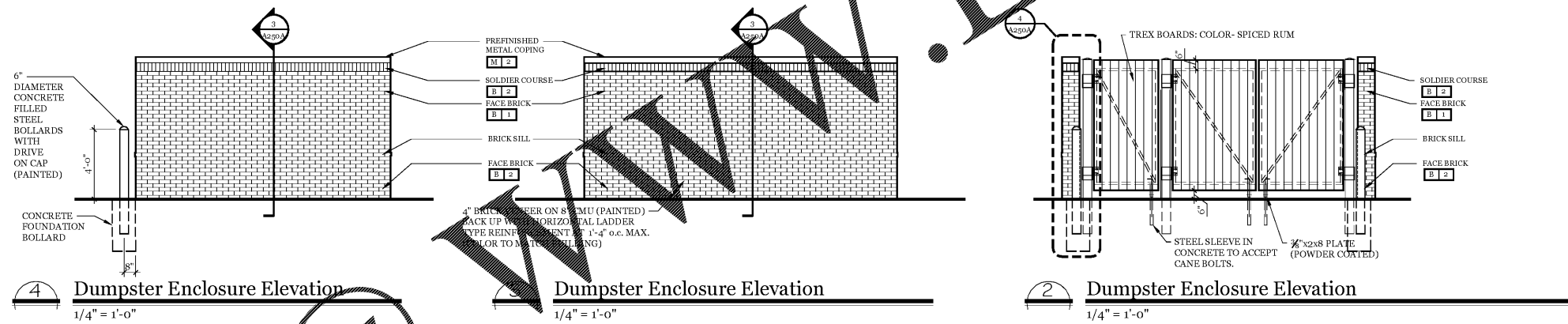
[www.R4architecture.com](http://www.R4architecture.com)

| Revision | Date |
|----------|------|
|          |      |

|                   |          |
|-------------------|----------|
| <b>Drawn By</b>   | TRB      |
| <b>Checked By</b> | MJR      |
| <b>Issue Date</b> | 06-30-17 |
| <b>Project No</b> | 160345   |

**Sheet Title**  
 DUMPSTER ENCLOSURE  
 PLAN & ELEVATIONS

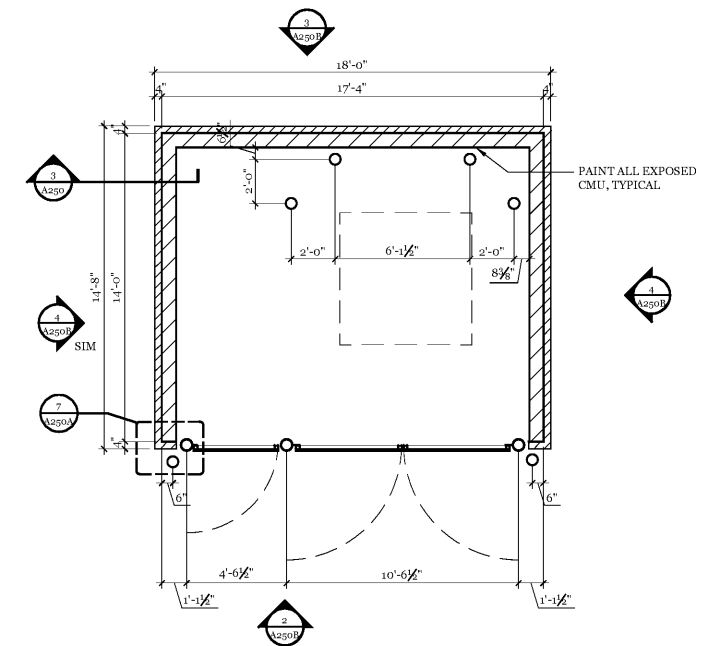
**Sheet Number**  
**A250B**



**1 Dumpster Enclosure Elevation**  
 1/4" = 1'-0"

**2 Dumpster Enclosure Elevation**  
 1/4" = 1'-0"

**3 Dumpster Enclosure Elevation**  
 1/4" = 1'-0"



**4 Dumpster Enclosure Plan**  
 1/4" = 1'-0"

Order Plans @

WWW.LDILine.com

ALL RIGHTS RESERVED. ANY REPRODUCTION OR TRANSMISSION IN ANY FORM OR BY ANY MEANS, ELECTRONIC OR MECHANICAL, INCLUDING PHOTOCOPYING, RECORDING, OR BY ANY INFORMATION STORAGE AND RETRIEVAL SYSTEM, WITHOUT PERMISSION IN WRITING FROM LDILINE.COM IS STRICTLY PROHIBITED.