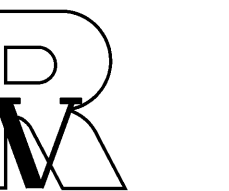
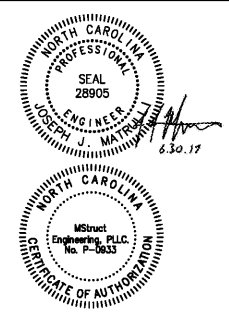


ALL GEOTECH ENGINEERING AND FOUNDATION WORKS SHOWN ON THIS SHEET ARE THE PROPERTY OF M&S ENGINEERING, P.A. ANY UNAUTHORIZED USE OR REPRODUCTION IS STRICTLY PROHIBITED. M&S ENGINEERING, P.A. IS NOT RESPONSIBLE FOR THE ACCURACY OF THESE CALCULATIONS.

Project
 Sam's Mart
 E. Independence Blvd.
 Indian Trail, NC 28097

Owner
 Sam's Mart
 293 Couch Place
 Suite 200
 Matthews, NC 28105



R4
 ARCHITECTURE, P.A.

124 Floyd Smith Dr
 Suite 375
 Charlotte, NC 28262
 Tel - 704 - 688-7500

7301 Rivers Avenue
 Suite 188
 North Charleston, SC 29406
 Tel - 843 - 531-6848

www.R4architecture.com

Revision	Date

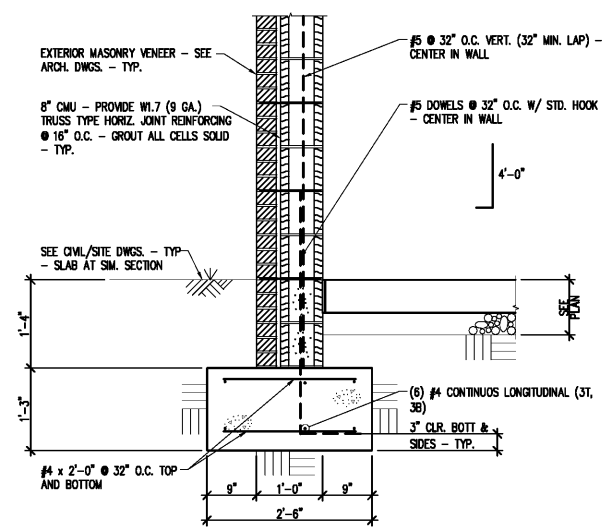
Drawn By	PJW
Checked By	JJM
Issue Date	6-30-17
Project No	160345

Sheet Title
 Vacuum/Vending
 Enclosure Sections

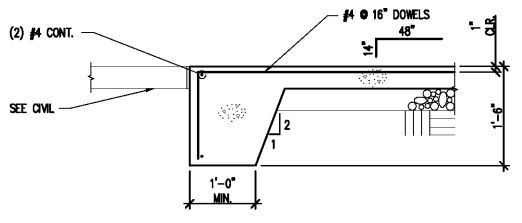
Sheet Number
S504



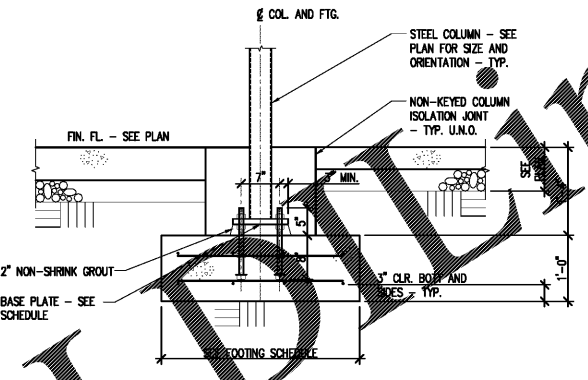
MStruct
 Structural Engineering Services, PLLC
 Design • Inspection • Testing
 1521 Nassau Blvd.
 Charlotte, NC 28203
 704.507.3099
 www.mstruct.com
 MStruct Job#: 124-16



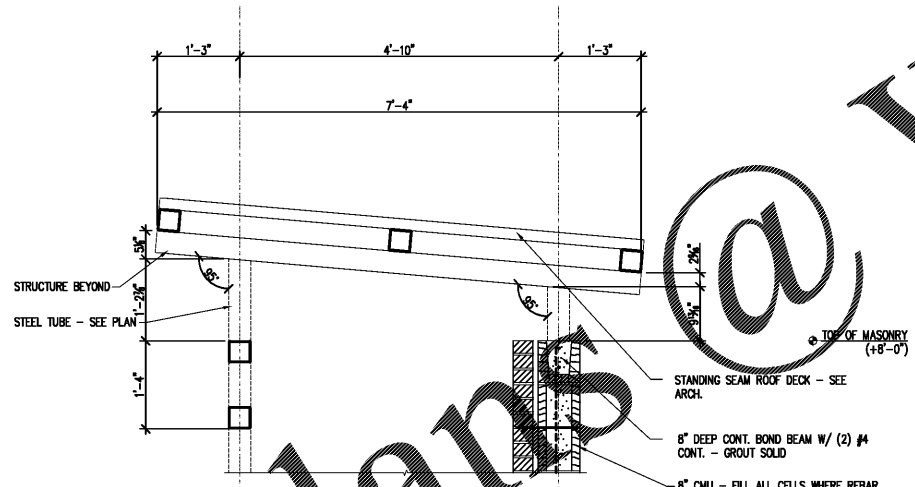
1 SECTION AT EXTERIOR WALL
 S504 SCALE: 3/4"=1'-0"



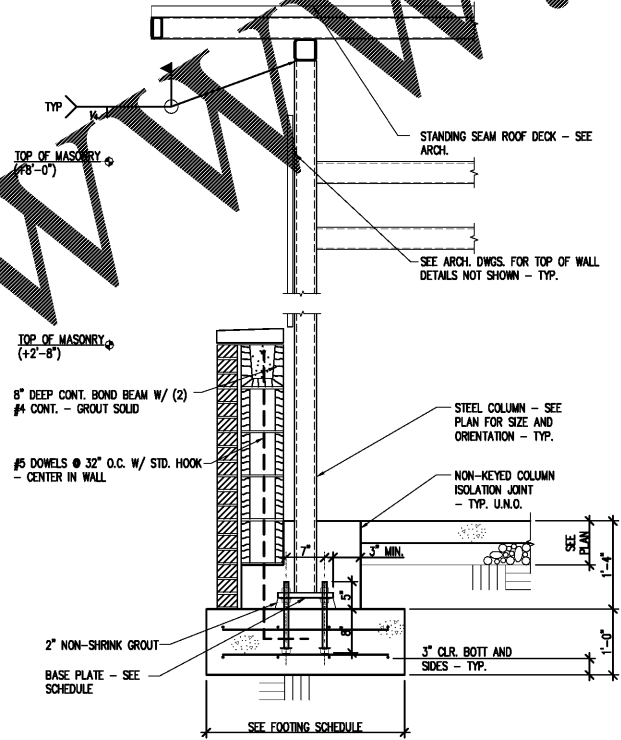
2 SECTION AT TURNED DOWN SLAB
 S504 SCALE: 3/4"=1'-0"



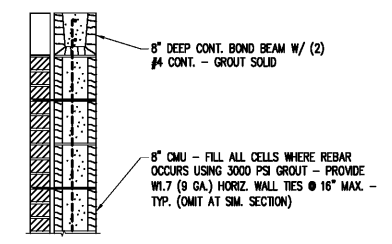
3 SECTION AT COLUMN FOOTING
 S504 SCALE: 3/4"=1'-0"



4 SECTION
 S504 SCALE: 3/4"=1'-0"



5 SECTION
 S504 SCALE: 3/4"=1'-0"



6 SECTION AT WALL
 S504 SCALE: 3/4"=1'-0"

Order Plans