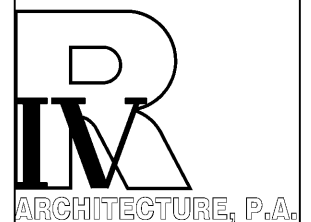
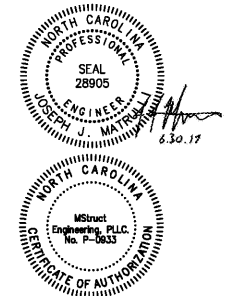


ALL STRUCTURAL ENGINEERING AND ARCHITECTURE SHEETS ARE THE PROPERTY OF MSTRUCT ENGINEERING, P.A. ANY UNAUTHORIZED REPRODUCTION OR DISTRIBUTION OF THESE DRAWINGS WITHOUT THE WRITTEN PERMISSION OF MSTRUCT ENGINEERING, P.A. IS STRICTLY PROHIBITED.

Project
Sam's Mart
E. Independence Blvd.
Indian Trail, NC 28097

Owner
Sam's Mart
293 Couch Place
Suite 200
Matthews, NC 28105



124 Floyd Smith Dr
Suite 375
Charlotte, NC 28262
Tel - 704 - 688-7500

7301 Rivers Avenue
Suite 188
North Charleston, SC 29406
Tel - 843 - 531-6848

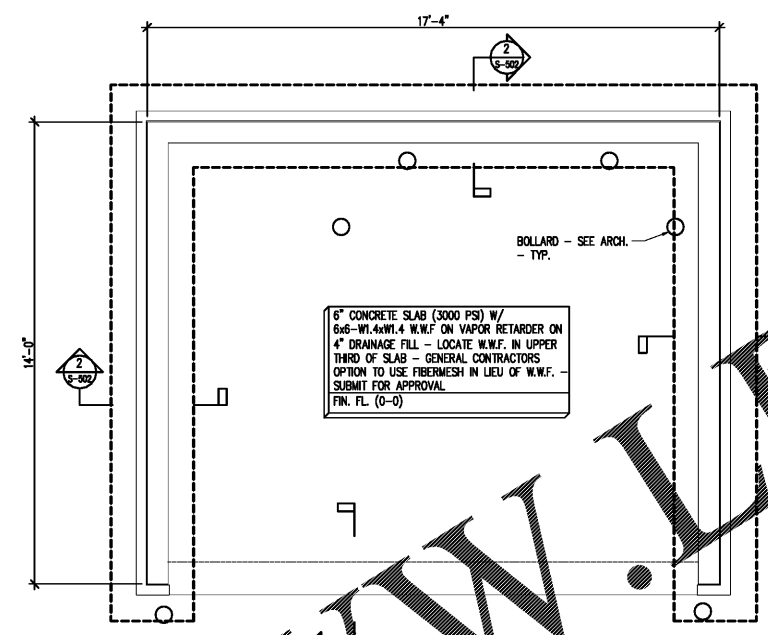
www.R4architecture.com

Revision	Date

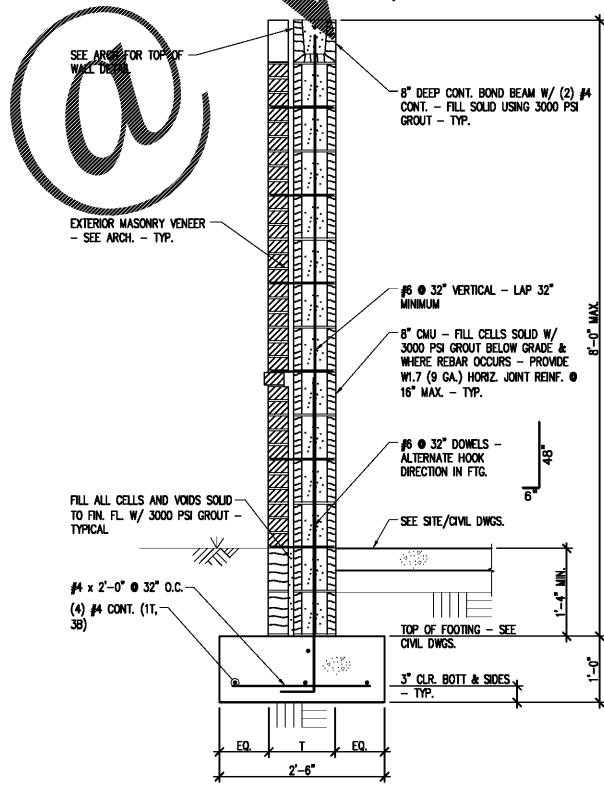
Drawn By	PJW
Checked By	JJM
Issue Date	6-30-17
Project No	160345

Sheet Title
Dumpster and Vacuum Enclosure

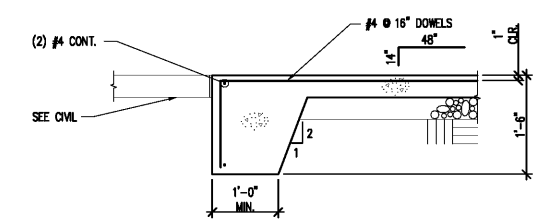
Sheet Number
S-502



- NOTES:
1. ALL ELEVATIONS REFERENCED FROM FIN. FL. (0-0).
 2. CONTRACT DRAWINGS SHALL NOT BE USED FOR SHOP DRAWINGS.
 3. SEE SHEET S-0.1 FOR GENERAL NOTES.



2 SECTION - TRASH ENCLOSURE
SCALE: 3/4"=1'-0"



3 SECTION AT TURNED DOWN SLAB
SCALE: 3/4"=1'-0"



MStruct
Structural Engineering Services, PLLC
Design • Inspection • Testing
1521 Nossou Blvd.
Charlotte, NC 28203
704.507.3099
www.mstruct.com
MStruct Job#: 124-16

Order Plans

www.LDILine.com