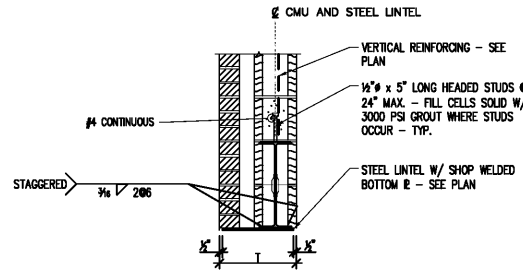
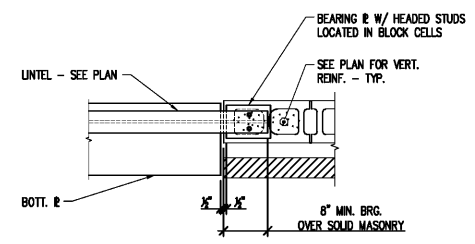


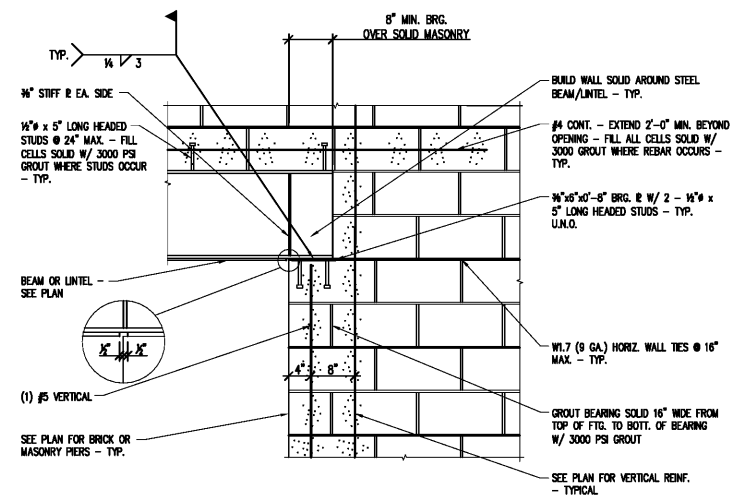
ALL GEOMETRIC DIMENSIONS AND ELEVATIONS ARE UNLESS OTHERWISE SPECIFIED. ALL DIMENSIONS ARE TO FACE UNLESS OTHERWISE SPECIFIED. ALL DIMENSIONS ARE TO FACE UNLESS OTHERWISE SPECIFIED. ALL DIMENSIONS ARE TO FACE UNLESS OTHERWISE SPECIFIED.



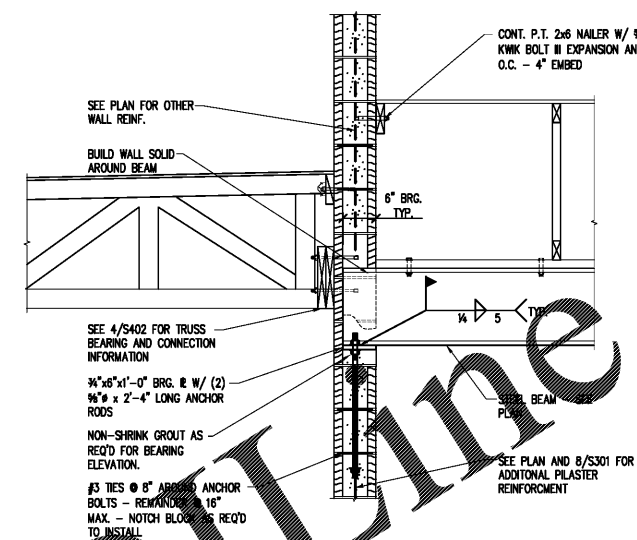
**1 SECTION AT STEEL LINTEL**  
S403 SCALE: 3/4"=1'-0"



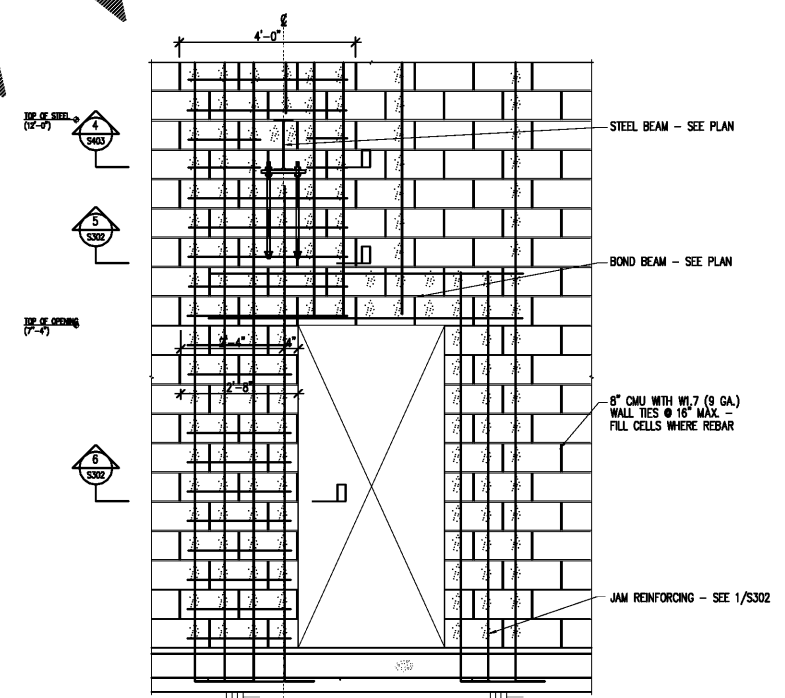
**2 ELEVATION AT STEEL LINTEL BEARING**  
S403 SCALE: 3/4"=1'-0"



**3 TYP. ELEVATION DETAIL AT LINTEL BEARING**  
S403 SCALE: 3/4"=1'-0"



**4 STEEL GIRDER BEARING**  
S403 SCALE: 1/2"=1'-0"

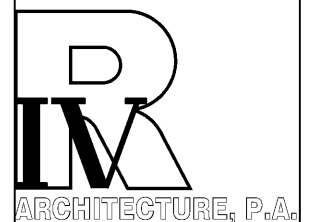
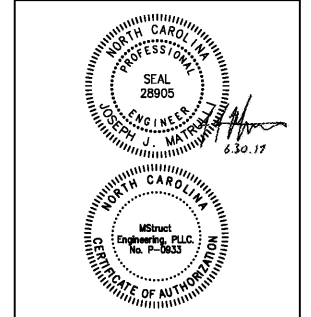


**5 GIRDER BEARING AT OPENING**  
S403 SCALE: 1/2"=1'-0"

Order Plans @ WWW.LDOnline.com

**Project**  
Sam's Mart  
E. Independence Blvd.  
Indian Trail, NC 28097

**Owner**  
Sam's Mart  
93 Church Place  
Suite 200  
Matthews, NC 28105



**124 Floyd Smith Dr**  
**Suite 375**  
**Charlotte, NC 28262**  
Tel - 704 - 688-7500

**7301 Rivers Avenue**  
**Suite 188**  
**North Charleston, SC 29406**  
Tel - 843 - 531-6848

[www.R4architecture.com](http://www.R4architecture.com)

Revision	Date

**Drawn By** PJW  
**Checked By** JJM  
**Issue Date** 6-30-17  
**Project No** 160345

**Sheet Title**  
**FRAMING SECTIONS AND DETAILS**

**Sheet Number**  
**S403**

