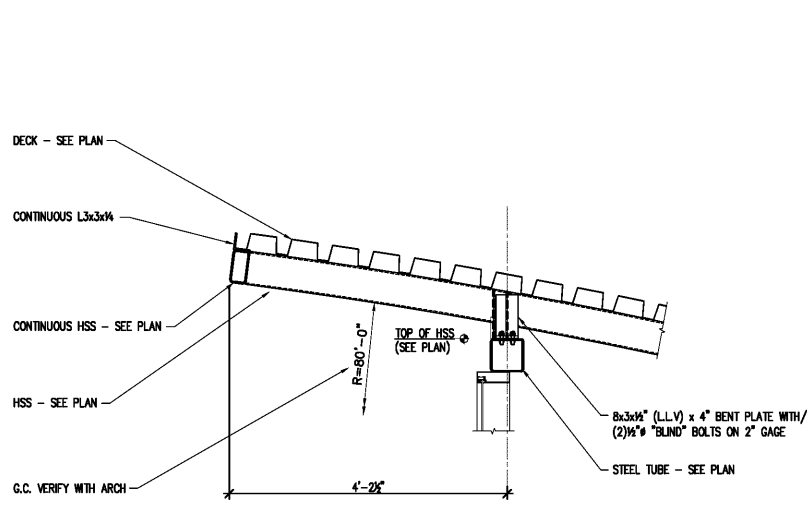
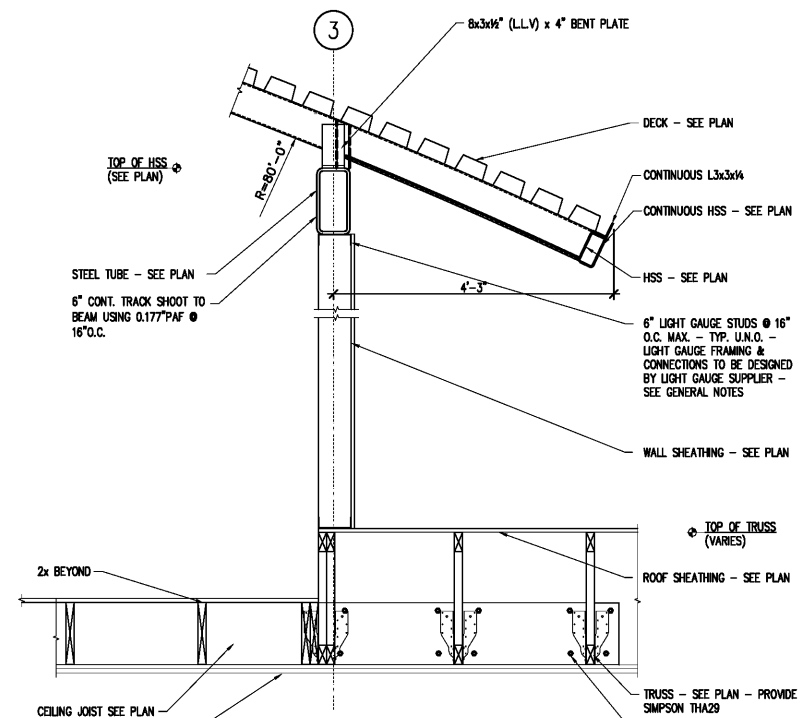


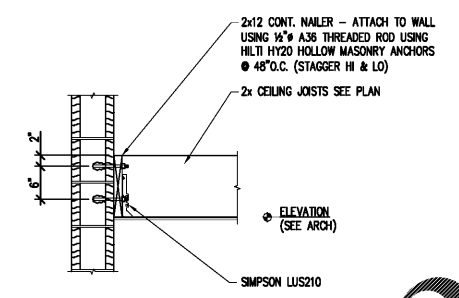
ALL STRUCTURAL AND ELECTRICAL WORKS SHOWN ON THIS SHEET ARE THE PROPERTY OF R4 ARCHITECTURE, P.A. ANY REPRODUCTION IS STRICTLY TO BE LIMITED TO THE ORIGINAL DRAWING. PERMISSION IS ANY FORM OF REPRODUCTION OF THESE DOCUMENTS. COPYRIGHT 2011



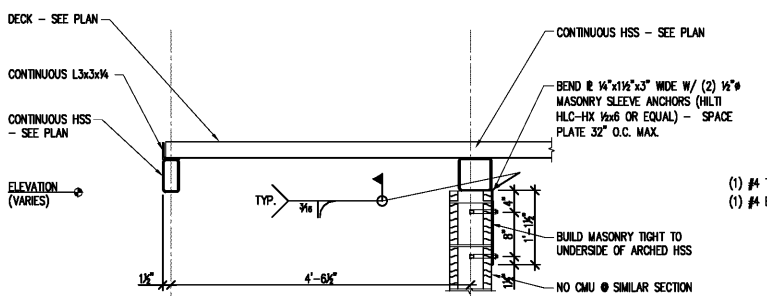
1 SECTION • HI ROOF LOW EDGE
S402 SCALE: 3/4\"=1'-0\"



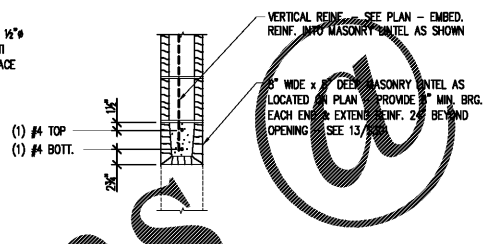
2 SECTION • HI ROOF LOW EDGE
S402 SCALE: 3/4\"=1'-0\"



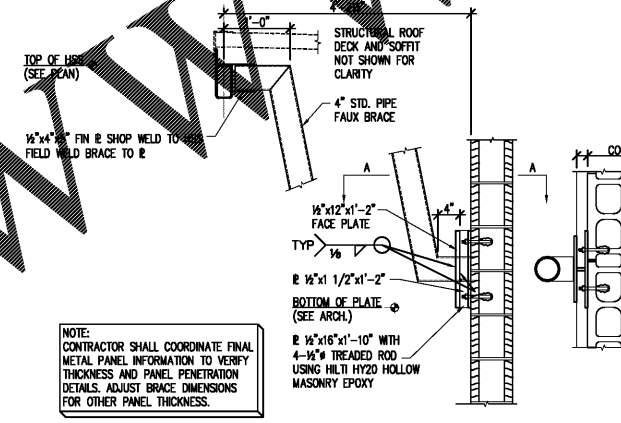
3 SECTION • CEILING
S402 SCALE: 3/4\"=1'-0\"



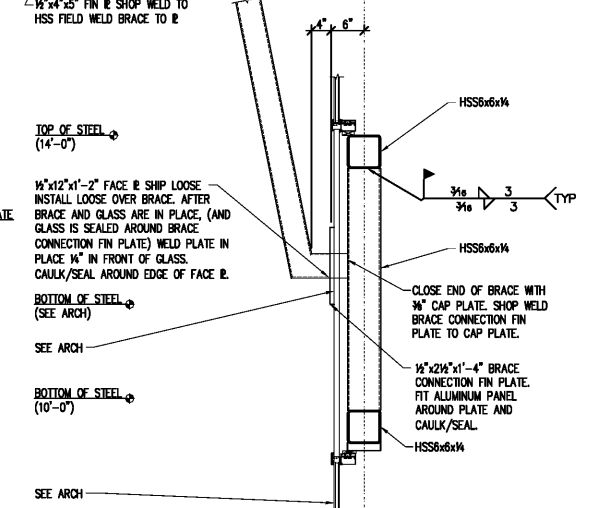
4 SECTION • HIGH ROOF
S402 SCALE: 3/4\"=1'-0\"



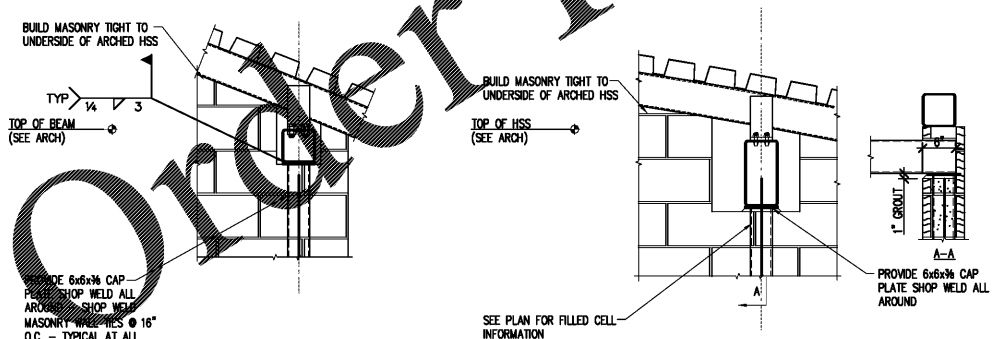
5 8\"/>



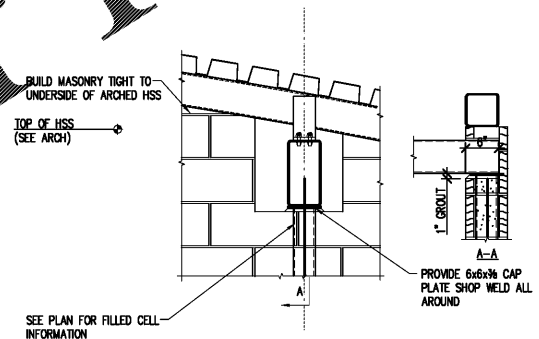
6 SECTION • BRACE
S402 SCALE: 3/4\"=1'-0\"



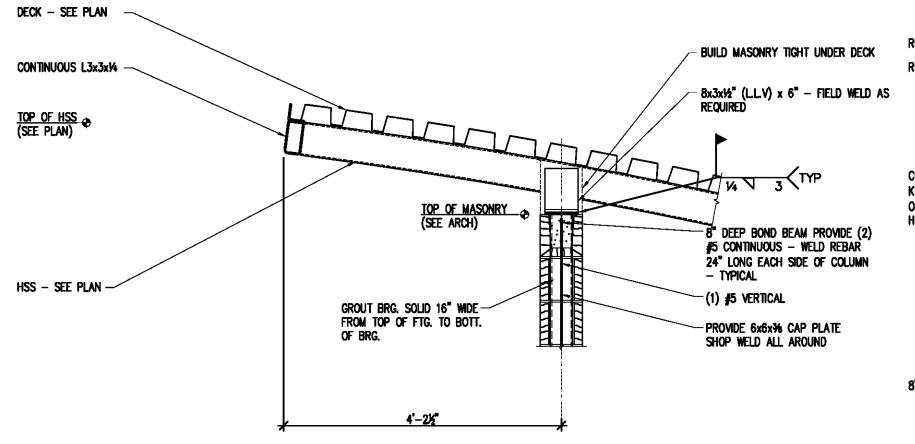
7 SECTION • BRACE
S402 SCALE: 3/4\"=1'-0\"



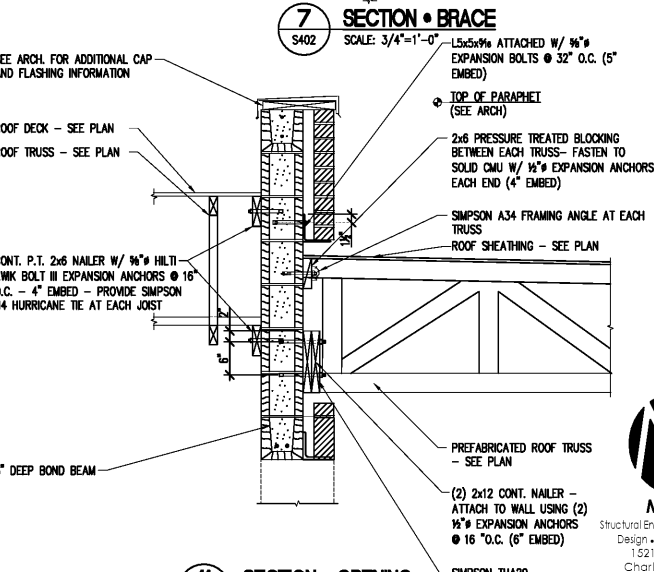
8 DETAIL • BEAM BEARING
S402 SCALE: 3/4\"=1'-0\"



9 DETAIL • HSS BEARING
S402 SCALE: 3/4\"=1'-0\"



10 SECTION • HI ROOF HI EDGE
S402 SCALE: 3/4\"=1'-0\"

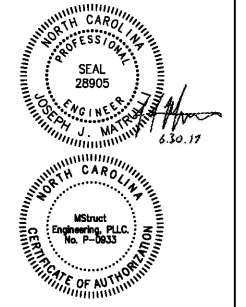


11 SECTION • OPENING
S402 SCALE: 3/4\"=1'-0\"

NOTE: CONTRACTOR SHALL COORDINATE FINAL METAL PANEL INFORMATION TO VERIFY THICKNESS AND PANEL PENETRATION DETAILS. ADJUST BRACE DIMENSIONS FOR OTHER PANEL THICKNESS.

Project
Sam's Mart
E. Independence Blvd.
Indian Trail, NC 28097

Owner
Sam's Mart
293 Church Place
Suite 200
Matthews, NC 28105



124 Floyd Smith Dr
Suite 375
Charlotte, NC 28262
Tel - 704 - 688-7500

7301 Rivers Avenue
Suite 188
North Charleston, SC 29406
Tel - 843 - 531-6848

www.R4architecture.com

Revision Date

Drawn By PJW
Checked By JJM
Issue Date 6-30-17
Project No 160345

Sheet Title

FRAMING SECTIONS AND DETAILS

Sheet Number

S402

