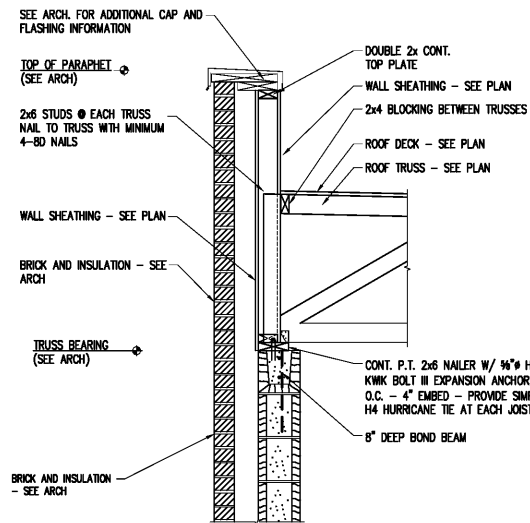
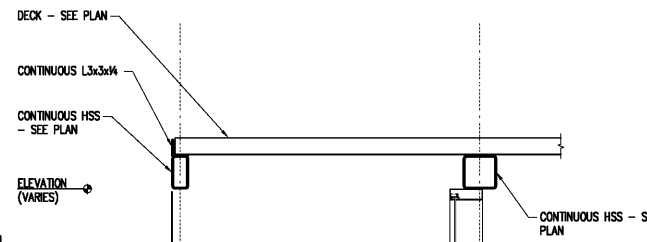


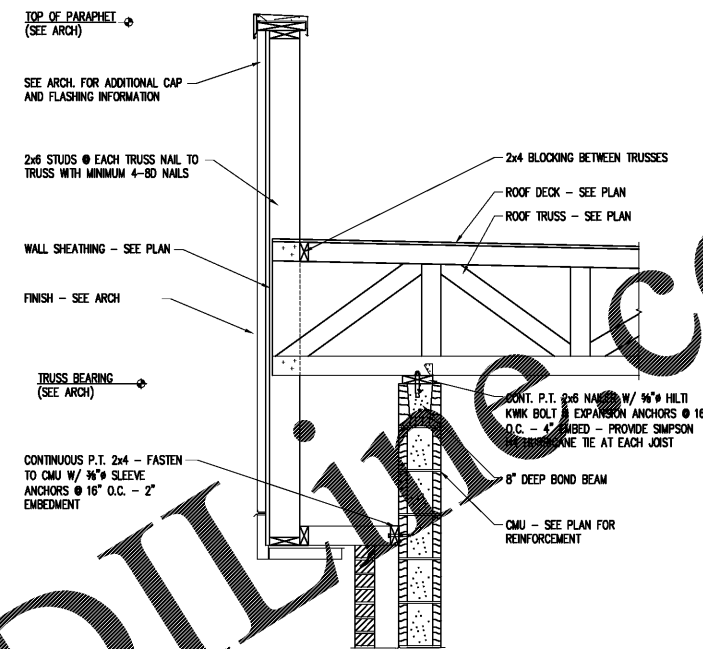
1 SECTION • TUNNEL LINEL
S401 SCALE: 3/4"=1'-0"



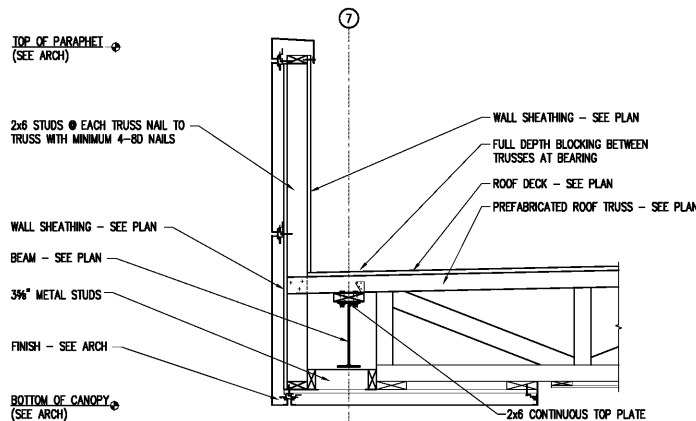
2 SECTION
S401 SCALE: 3/4"=1'-0"



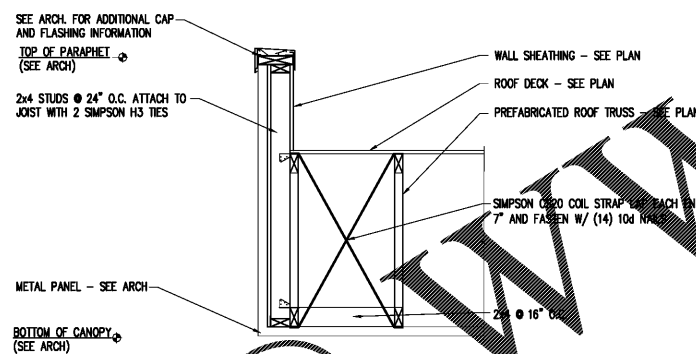
3 SECTION • HIGH ROOF
S401 SCALE: 3/4"=1'-0"



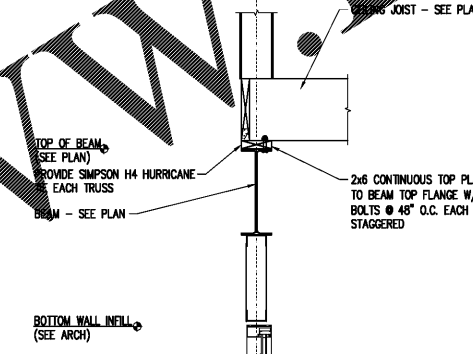
4 SECTION • METAL OVERHANG
S401 SCALE: 3/4"=1'-0"



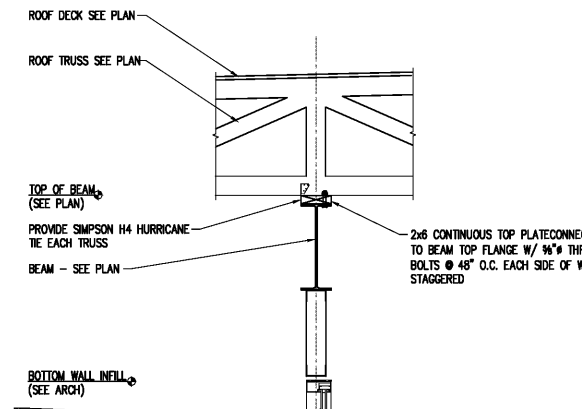
5 SECTION • CANOPY
S401 SCALE: 3/4"=1'-0"



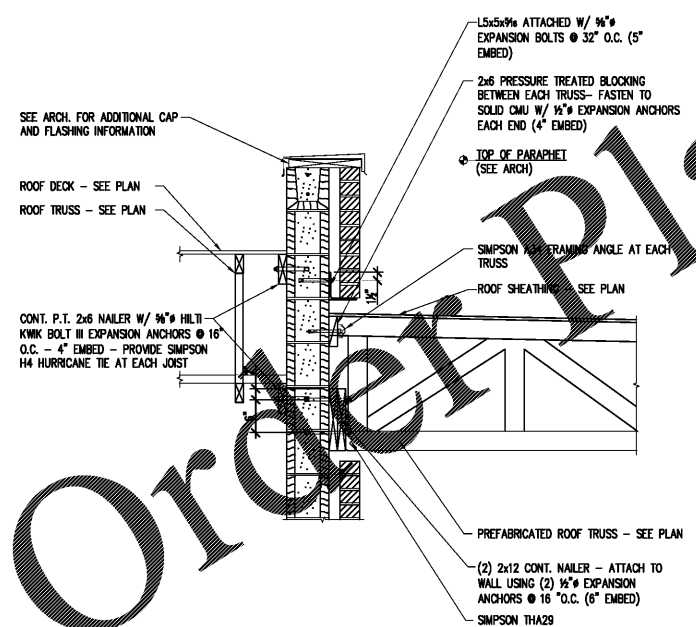
6 SECTION • CANOPY
S401 SCALE: 3/4"=1'-0"



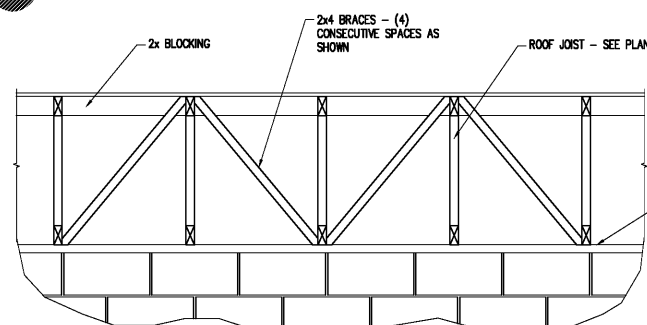
7 SECTION • TRUSS BEARING
S401 SCALE: 3/4"=1'-0"



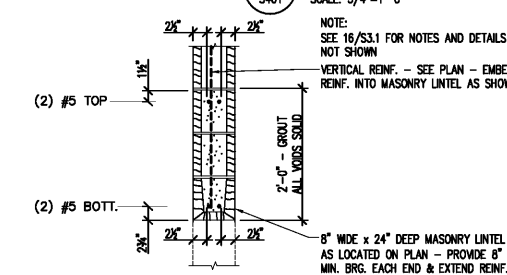
8 SECTION • TRUSS BEARING
S401 SCALE: 3/4"=1'-0"



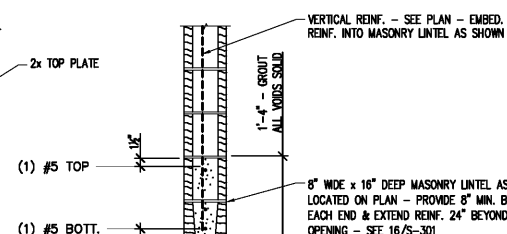
9 SECTION • HIGH-LO ROOF
S401 SCALE: 3/4"=1'-0"



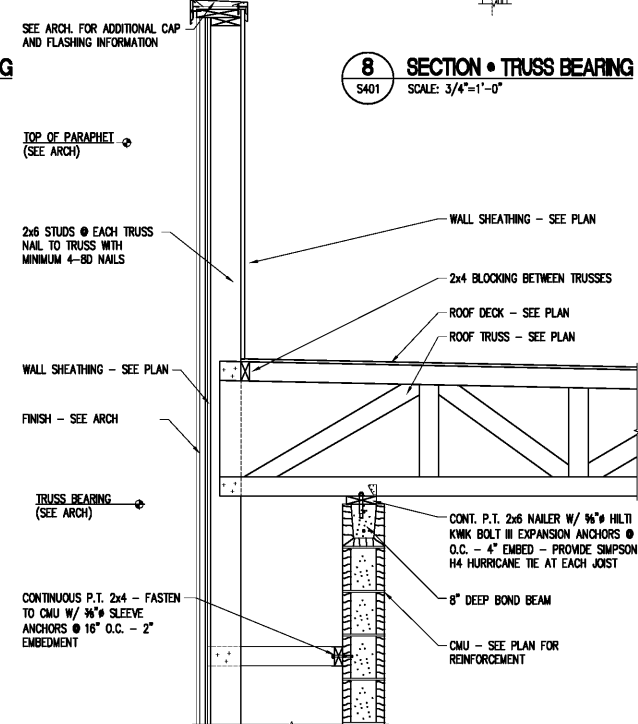
10 SHEAR TRANSFER DETAIL
S401 SCALE: 3/4"=1'-0"



11 24" DEEP MASONRY BOND BEAM
S4.1 SCALE: 3/4"=1'-0"



12 16" DEEP BOND BEAM
S401 SCALE: 3/4"=1'-0"



13 SECTION • METAL PANEL BUMP OUT
S401 SCALE: 3/4"=1'-0"

Project
Sam's Mart
E. Independence Blvd.
Indian Trail, NC 28097

Owner
Sam's Mart
93 Church Place
Suite 200
Matthews, NC 28105



R4
ARCHITECTURE, P.A.

124 Floyd Smith Dr
Suite 375
Charlotte, NC 28262
Tel - 704 - 688-7500

7301 Rivers Avenue
Suite 188
North Charleston, SC 29406
Tel - 843 - 531-6848

www.R4architecture.com

Revision	Date

Drawn By PJW
Checked By JJM
Issue Date 6-30-17
Project No 160345

Sheet Title
FRAMING SECTIONS
AND DETAILS

Sheet Number
S401



MStruct
Structural Engineering Services, PLLC
Design • Inspection • Testing
1521 Nossou Blvd.
Charlotte, NC 28203
704.507.3099
www.mstruct.com
MStruct Job#: 124-16

Order Plans

WWW.LDILLINE.COM

ALL SHEET DIMENSIONS AND LOCATIONS ARE THE PROPERTY OF R4 ARCHITECTURE, P.A. ALL DIMENSIONS ARE TO FACE UNLESS OTHERWISE NOTED. CONSULT THE PROJECT MANUAL FOR ANY DIMENSIONS NOT SHOWN ON THESE DRAWINGS. COPYRIGHT 2017.