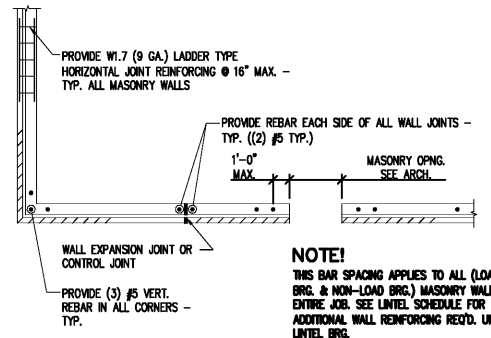
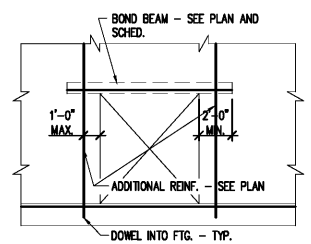


1 CMU WALL ELEVATION
S302 NO SCALE - SPECIAL REINF. CMU WALL

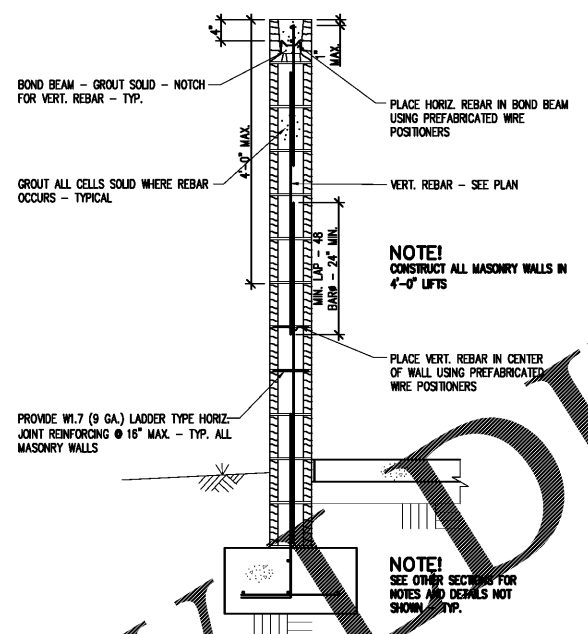
- INTERIOR & EXTERIOR SEISMIC MASONRY WALL REQUIREMENTS - (U.N.O.)
1. VERTICAL REBAR (SEE PLAN) DOWELED INTO FOOTING.
 2. HORIZONTAL REBAR AT TOP OF WALL, AT BEARING LINES, AT TOP OF FOOTING AND @ 48\"/>



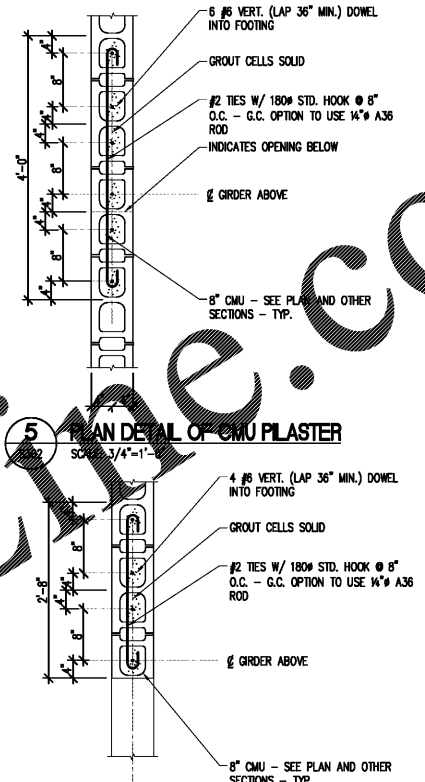
2 CMU WALL REINFORCING
S302 NOT TO SCALE



3 SCHEMATIC CMU WALL SECTION
S302 NOT TO SCALE



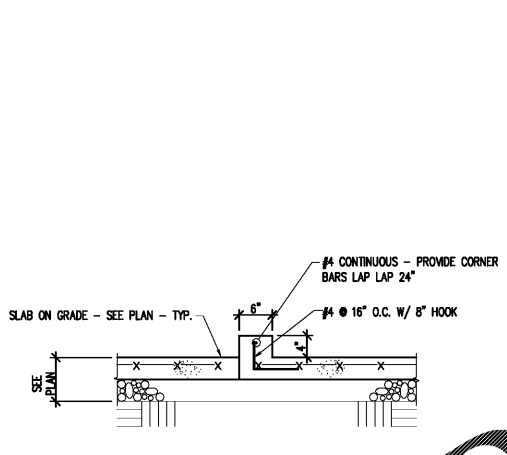
4 CMU WALL SECTION
SCALE: 3/4\"/>



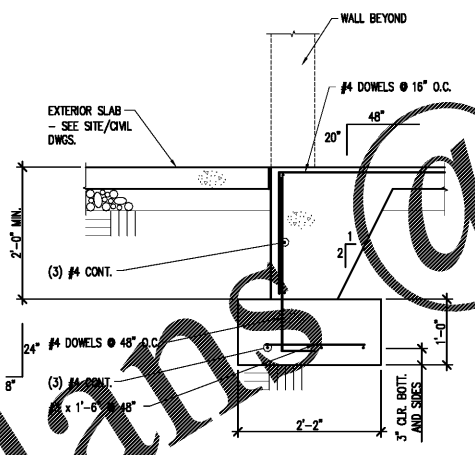
5 PLAN DETAIL OF CMU PILASTER
SCALE: 3/4\"/>



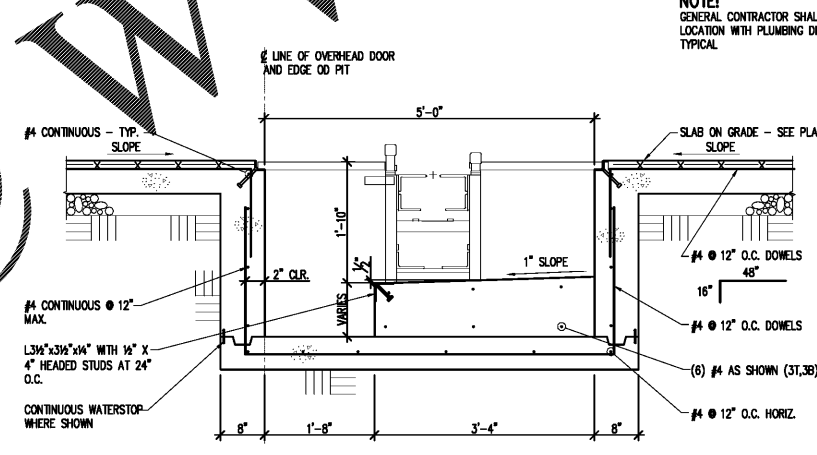
6 PLAN DETAIL OF CMU PILASTER
SCALE: 3/4\"/>



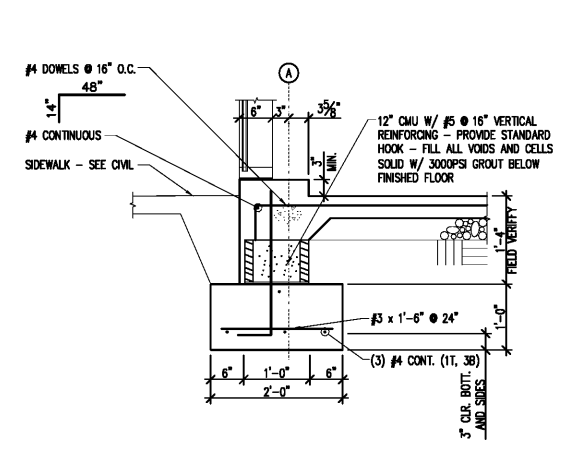
7 SECTION AT SLAB CURB
S302 SCALE: 3/4\"/>



8 SECTION AT DOOR OPENING
S302 SCALE: 3/4\"/>



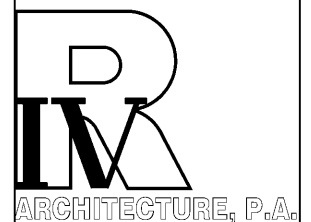
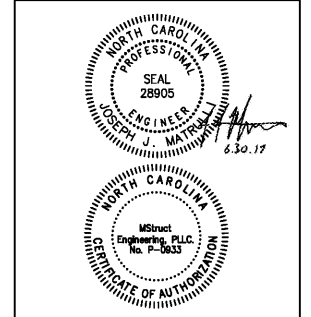
9 SECTION THRU TRENCH
S302 SCALE: 3/4\"/>



10 SECTION AT NEW OPENING
S302 SCALE: 3/4\"/>

Project
Sam's Mart
E. Independence Blvd.
Indian Trail, NC 28097

Owner
Sam's Mart
293 Church Place
Suite 200
Matthews, NC 28105



124 Floyd Smith Dr
Suite 375
Charlotte, NC 28262
Tel - 704 - 688-7500

7301 Rivers Avenue
Suite 188
North Charleston, SC 29406
Tel - 843 - 531-6848

www.R4architecture.com

Revision	Date

Drawn By PJW
Checked By JJM
Issue Date 6-30-17
Project No 160345

Sheet Title
FOUNDATION
SECTIONS AND
DETAILS

Sheet Number
S-302



MStruct
Structural Engineering Services, PLLC
Design • Inspection • Testing
1521 Nossau Blvd.
Charlotte, NC 28203
704.507.3099
www.mstruct.com
MStruct Job#: 124-16

Order Plans @

WWW.DLINE.COM

ALL RIGHTS RESERVED AND REPRODUCED HEREUNDER WITHOUT THE WRITTEN PERMISSION OF R4 ARCHITECTURE, P.A. ANY UNAUTHORIZED REPRODUCTION IS STRICTLY PROHIBITED. PERMISSION IS GRANTED TO MAKE COPIES OF THESE DRAWINGS FOR PERSONAL USE ONLY.